

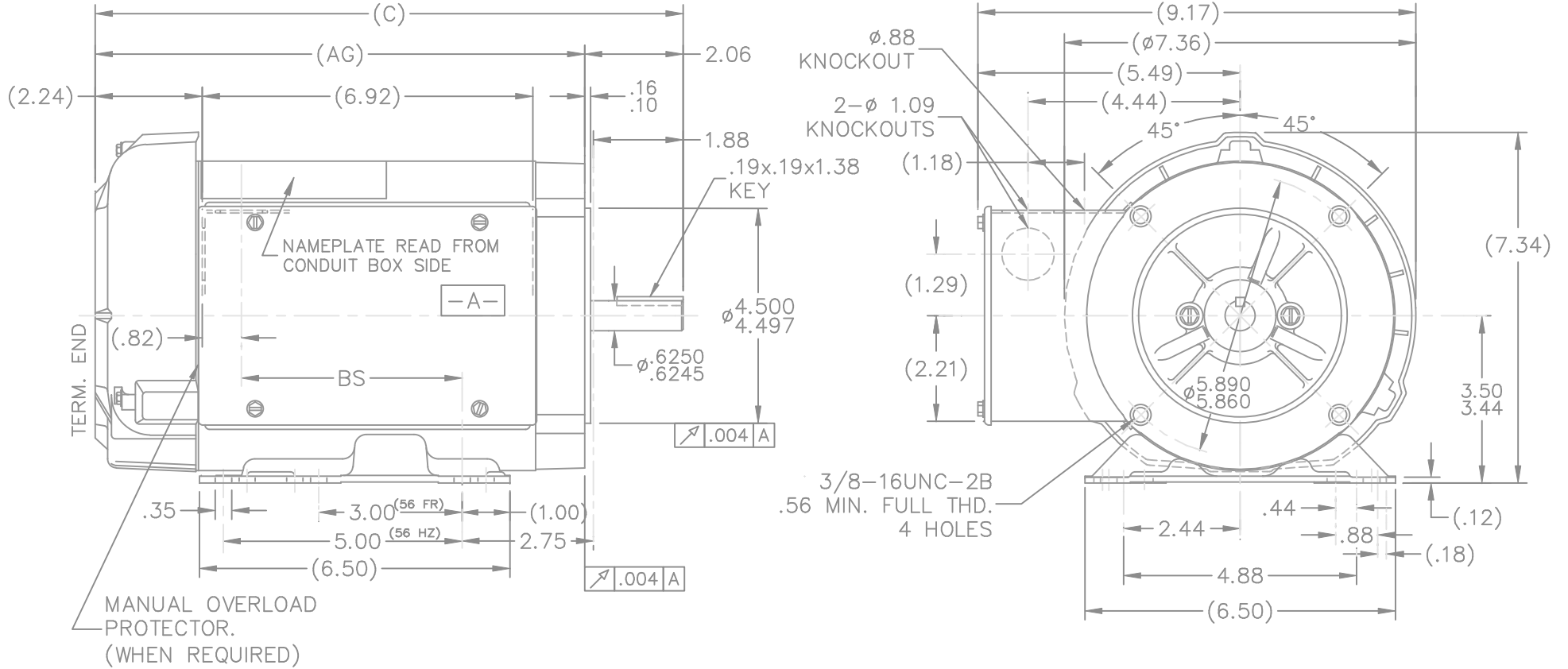


Nameplate Specifications

Output HP	2 Hp	Output KW	1.5 kW
Frequency	60 Hz	Voltage	115/208-230 V
Current	18.0/10.0-9.0 A	Speed	3450 rpm
Service Factor	1.15	Phase	1
Efficiency	80 %	Duty	Continuous
Insulation Class	F	Design Code	NO DESIGN CODE
KVA Code	H	Frame	56HC
Enclosure	Totally Enclosed Fan Cooled	Overload Protector	No
Ambient Temperature	40 °C	Drive End Bearing Size	203
Opp Drive End Bearing Size	203	UL	Recognized
CSA	Y	CE	N
IP Code	43		

Technical Specifications

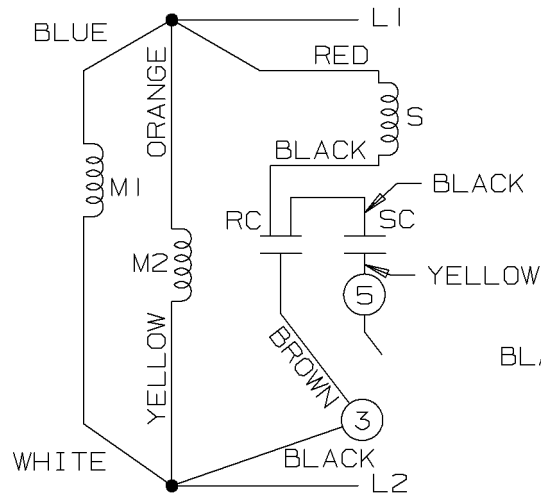
Electrical Type	Capacitor Start Capacitor Run	Starting Method	Across The Line
Poles	2	Rotation	Selective Clockwise
Mounting	Rigid base	Motor Orientation	HORIZONTAL
Drive End Bearing	BALL	Opp Drive End Bearing	BALL
Frame Material	Rolled Steel	Shaft Type	T
Overall Length	13.32 in	Frame Length	8.06 in
Shaft Diameter	0.625 in	Shaft Extension	1.88 in
Assembly/Box Mounting	F1 ONLY		
Outline Drawing	A-100127LN-806	Connection Diagram	102006-51-LN



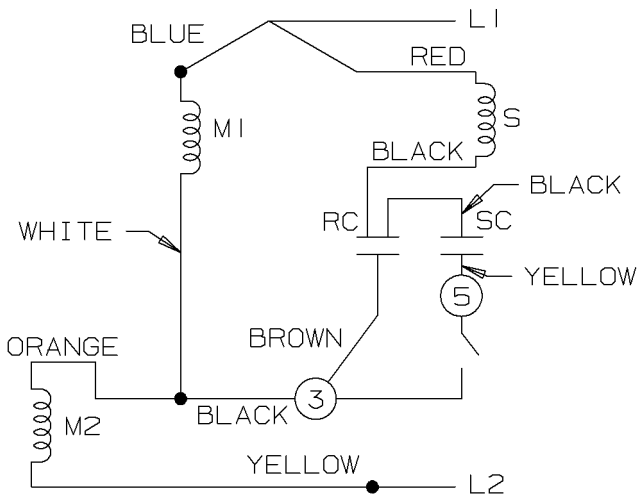
DASH	FR.	C	AG	BS	DASH	FR.	C	AG	BS
706	56-70	12.32	10.25	4.64	856	56-85	13.82	11.75	6.14
756	56-75	12.82	10.75	5.14	956	56-95	14.82	12.75	7.14
806	56-80	13.32	11.25	5.64	1006	56-100	15.32	13.25	7.64

				TOLERANCES UNLESS SPECIFIED			DRAWN TJB 12-07-1999					
				DEC.	INCHES		CHK ML 12-07-1999					
				.X	±.1		APPD GK 12-07-1999					
				.XX	±.03		SCALE 5=15					
				.XXX	±.005		REF					
1	NEW DRAWING	TJB 12-07-1999		.XXXX	±.0005	TITLE OUTLINE 56 FR. -BB - 1Ø -TEFC		FMF				
NO.	REVISION	BY & DATE		CHK	ANG	±7'30"	FINISH	PREV				
THIS DRAWING IN DESIGN AND DETAIL IS OUR PROPERTY AND MUST NOT BE USED EXCEPT IN CONNECTION WITH OUR WORK ALL RIGHTS OF DESIGN AND INVENTION ARE RESERVED THIS IS AN ELECTRONICALLY GENERATED DOCUMENT - DO NOT SCALE THIS PRINT				RFP	12-07-1999	CAD FILE	100127In	SIZE	DRAWING NO.	PAGE	OF	REV.
				DIST				A	100127LN			1

LOW VOLTAGE C.C.W.

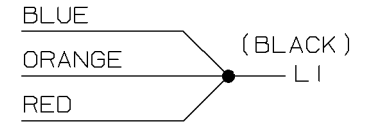


HIGH VOLTAGE C.C.W.

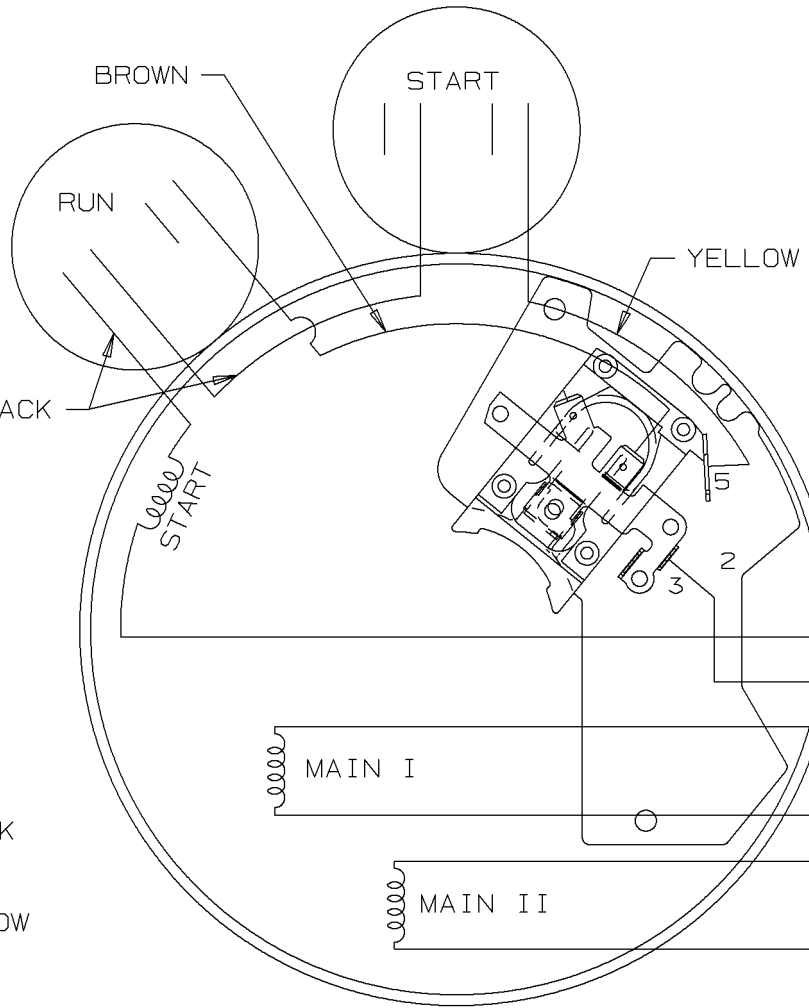
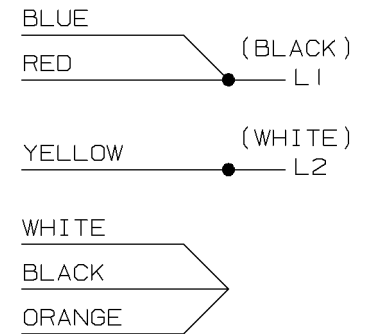


DUAL VOLTAGE CAPACITOR
START-CAP RUN NO OVERLOAD
SELECT ROTATION

LOW VOLTAGE C.C.W. ROTATION



HIGH VOLTAGE C.C.W. ROTATION



FOR C.W. ROTATION,
EITHER VOLTAGE,
INTERCHANGE RED WITH
BLACK LEAD

					✓ UNLESS OTHERWISE SPECIFIED DIMENSIONS ARE IN INCHES TOL. ON XX± XXX±.005 XXXX±.0005 ANGLES± 7'30"		
					MAX. SURFACE ROUGHNESS UNLESS OTHERWISE NOTED		DRAWN BY BLR 09-29-1999 CHKD BY DRS 09-29-1999
1	09-29-1999	NEW DRAWING	BLR		MATERIAL		APPD BY GK 09-29-1999
REV	DATE	CHANGE	NAME	PART NAME	CONNECTION DIAGRAM		DRWG NO A-102006-51-LN

PURCHASED

CADD FILE NO.

102006-51-LN

