

PRODUCT INFORMATION PACKET



Model No: SRF4S0.33T1C6028AP7TP1
Catalog No: LM24789
1/3,1725,TEFC,56,1/60/115/208-230
Agricultural



Regal and Leeson are trademarks of Regal Beloit Corporation or one of its affiliated companies.
©2018 Regal Beloit Corporation, All Rights Reserved. MC017097E



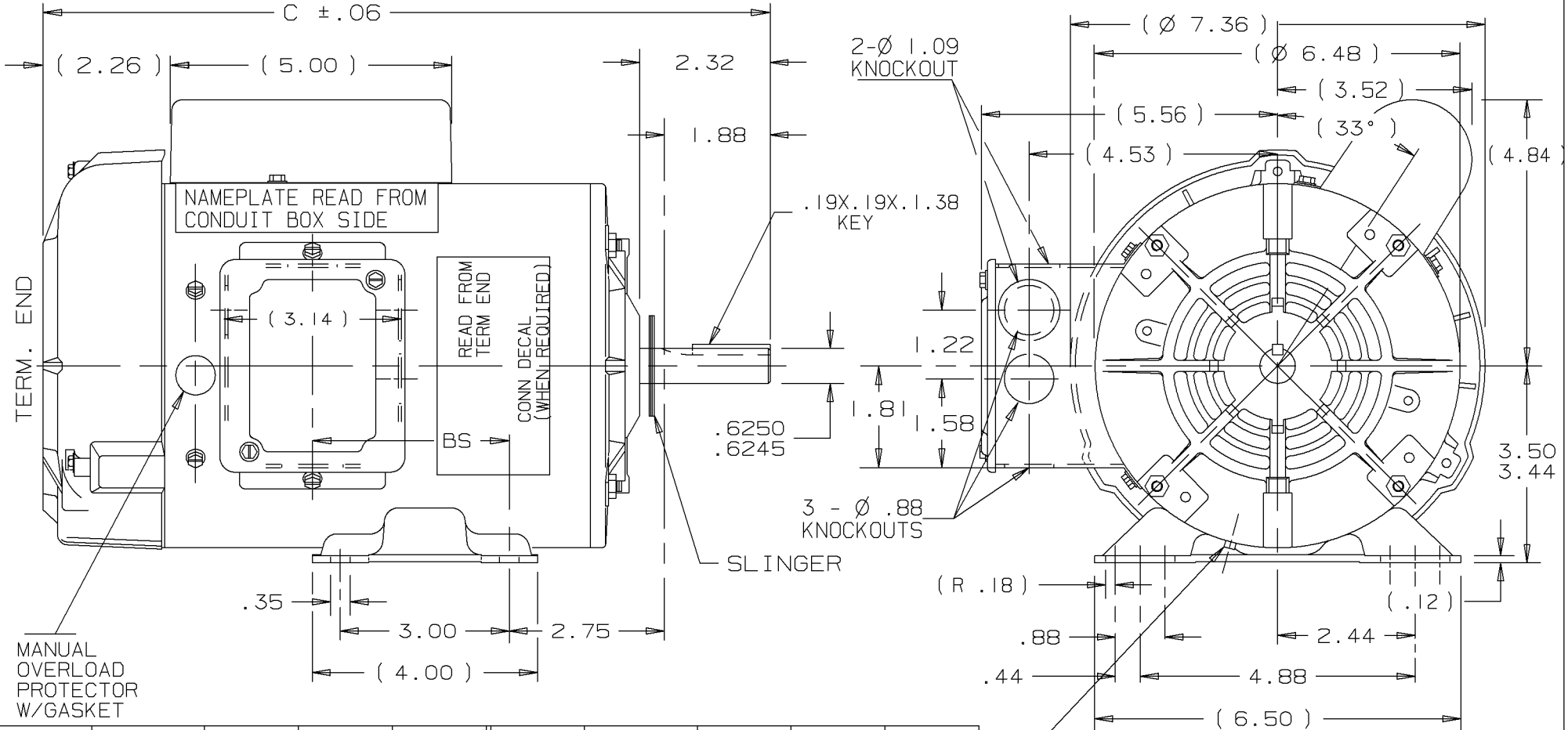


Nameplate Specifications

Output HP	0.33 Hp	Output KW	0.25 kW
Frequency	60 Hz	Voltage	115/208-230 V
Current	6.6/3.1-3.3 A	Speed	1725 rpm
Service Factor	1.15	Phase	1
Efficiency	55 %	Duty	Continuous
Insulation Class	B	Design Code	N
KVA Code	N	Frame	56
Enclosure	Totally Enclosed Fan Cooled	Overload Protector	Manual
Ambient Temperature	40 °C	Drive End Bearing Size	6203
Opp Drive End Bearing Size	6203	UL	Recognized
CSA	Y	CE	N
IP Code	43		

Technical Specifications

Electrical Type	Capacitor Start Induction Run	Starting Method	Across The Line
Poles	4	Rotation	Selective Counterclockwise
Mounting	Rigid base	Motor Orientation	HORIZONTAL
Drive End Bearing	BALL	Opp Drive End Bearing	BALL
Frame Material	Rolled Steel	Shaft Type	NEMA 56
Overall Length	11.82 in	Frame Length	6.56 in
Shaft Diameter	0.625 in	Shaft Extension	1.88 in
Assembly/Box Mounting	F1 ONLY		
Outline Drawing	A-100137LN-656	Connection Diagram	102005-52-LN

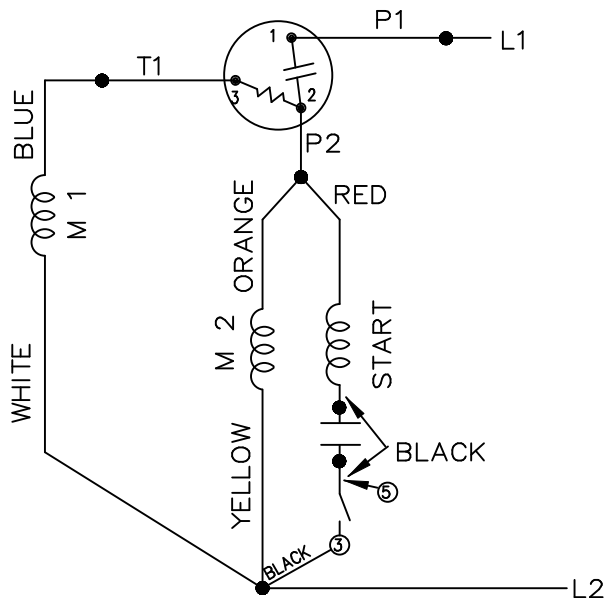


DASH	FR.	C	BS		DASH	FR.	C	BS	
656	56-65	11.82	2.40						
706	56-70	12.32	2.90						
756	56-75	12.82	3.40						

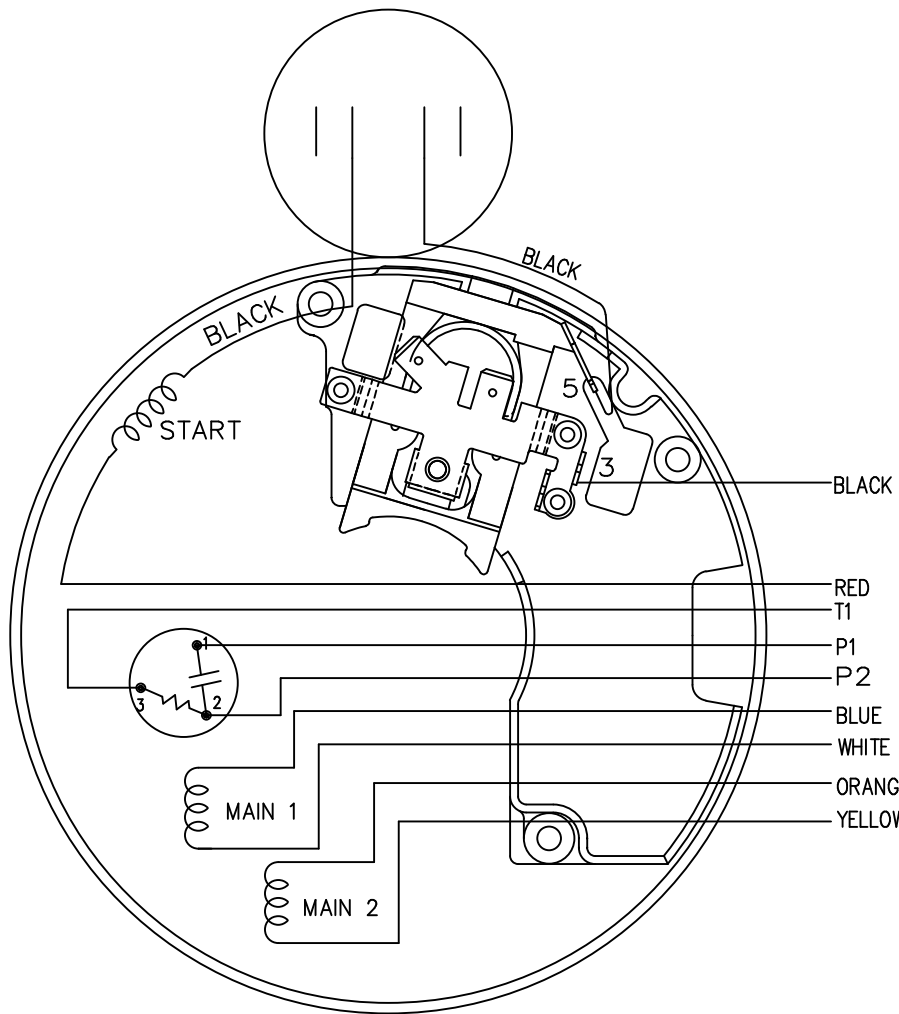
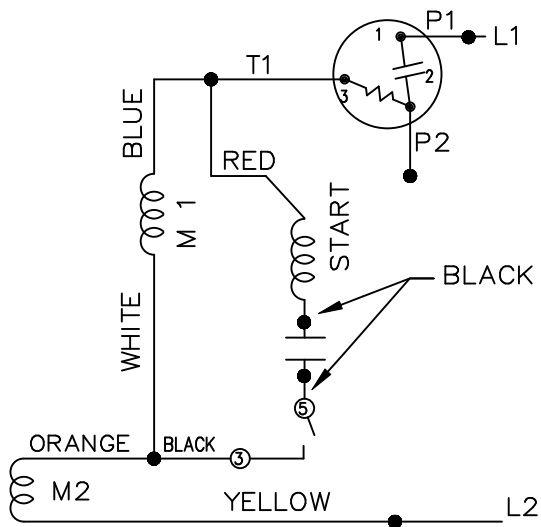
						UNLESS OTHERWISE SPECIFIED DIMENSIONS ARE IN INCHES TOL. ON XX±.03 XXX±.005 XXXX±.0005 ANGLES± 7'30"				
						MAX. SURFACE ROUGHNESS UNLESS OTHERWISE NOTED	DRAWN BY DRS	11-24-1999		
				FINISH	CHKD BY ML	11-24-1999				
				MATERIAL	APPD BY GK	11-24-1999				
REV	DATE	CHANGE		NAME	PART NAME OUTLINE 56 FR. - BB - TEFC - 1Ø				DRWG NO A-100137LN	

PURCHASED CADD FILE NO. 100137LN

LOW VOLTAGE - CCW

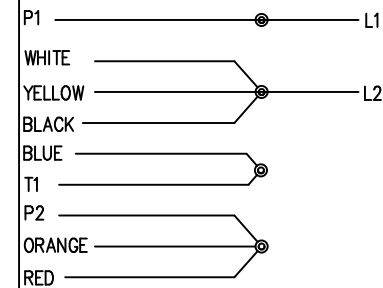


HIGH VOLTAGE - CCW

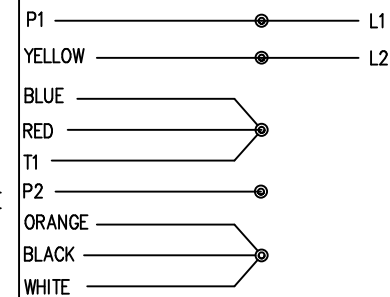


DUAL VOLTAGE
CAPACITOR START
OVERLOAD
SELECT ROTATION

LOW VOLT. CCW ROT.



HIGH VOLT. CCW ROT.



FOR CW ROTATION
EITHER VOLTAGE
INTERCHANGE RED
WITH BLACK

TOLERANCES
UNLESS SPECIFIED

DEC. INCHES

.X ±.1

.XX ±.02

.XXX ±.005

.XXXX ±.0005

ANG ±7'30"



TITLE CONNECTION DIAGRAM

DRAWN TAT 9-8-2003

CHK ML 9-8-2003

APPD GK 9-8-2003

SCALE 5=8

REF

FMF

PREV

1 NEW DRAWING

TAT 9-8-2003

ML

.XXXX ±.0005

MAT'L.

NO. REVISION

BY & DATE

CHK

ANG ±7'30"

FINISH

THIS DRAWING IN DESIGN AND DETAIL IS OUR PROPERTY AND MUST NOT BE USED EXCEPT IN CONNECTION WITH OUR WORK ALL RIGHTS OF DESIGN AND INVENTION ARE RESERVED THIS IS AN ELECTRONICALLY GENERATED DOCUMENT - DO NOT SCALE THIS PRINT

RFP

CAD FILE 102005-52-ln

SIZE

DRAWING NO. PAGE OF

REV.

DIST WP

A

102005-52-LN

1



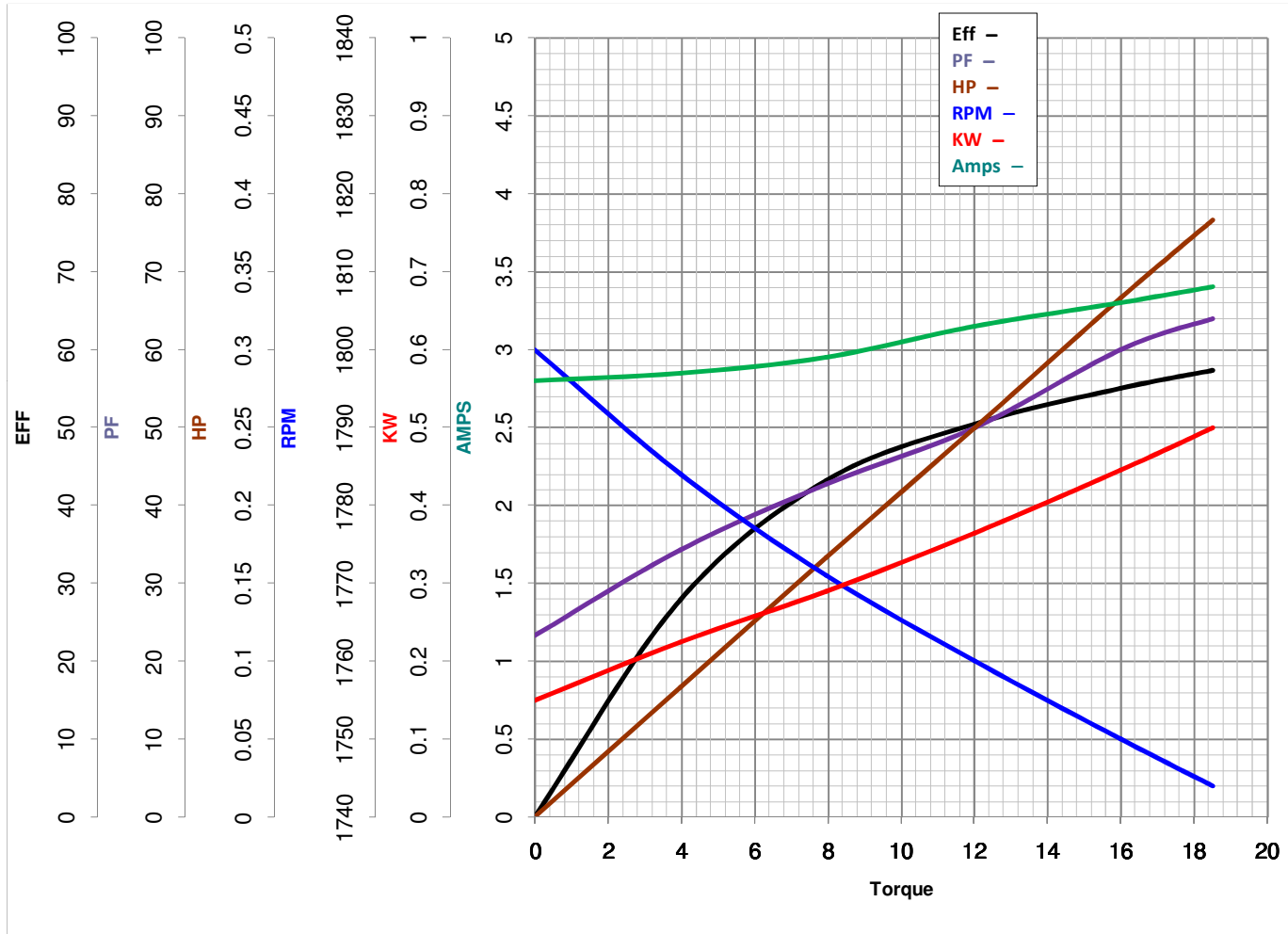
LEESON ELECTRIC CORPORATION
 TYPICAL PERFORMANCE CURVE for AC MOTOR

Model No LM24789

Curve at 230 Volts HP 0.34 PHASE 1
60 HZ
0.333 HP VOLTS 115/208-230

Catalog No LM24789E

HZ 60 RPM 1725



Torque in Oz.Ft

FL TORQUE 16 Oz.Ft
 BD TORQUE 44.6 Oz.Ft
 LR TORQUE 55.7 Oz.Ft

FL AMPS 6.6/3.1-3.3
 PU TORQUE 39.9 Oz.Ft
 LR AMPS 16.2

WINDING ZC406-3

Date 3/22/2018