

PRODUCT INFORMATION PACKET



Model No: SRF4S0.5TC61Q40
Catalog No: LM22649
1/2,1800,TEFC,56C,3/60/230/460
4:1 Speed Ratio



Regal and Leeson are trademarks of Regal Beloit Corporation or one of its affiliated companies.
©2018 Regal Beloit Corporation, All Rights Reserved. MC017097E



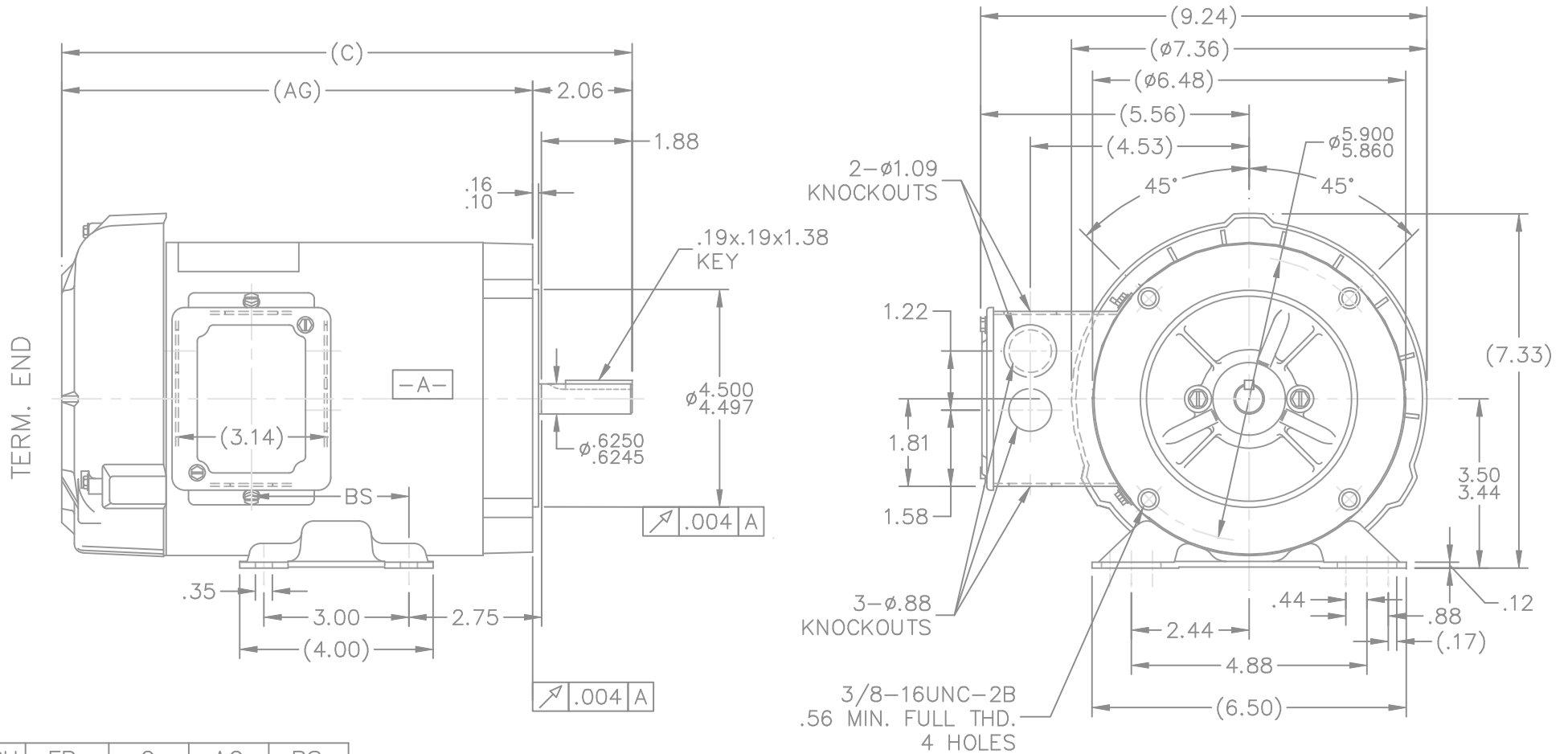


Nameplate Specifications

Output HP	0.50 Hp	Output KW	0.37 kW
Frequency	60 Hz	Voltage	230/460 V
Current	2.4/1.2 A	Speed	1750 rpm
Service Factor	1	Phase	3
Efficiency	68 %	Duty	Continuous
Insulation Class	F	Design Code	B
KVA Code	M	Frame	56C-65
Enclosure	Totally Enclosed Fan Cooled	Overload Protector	No
Ambient Temperature	40 °C	Drive End Bearing Size	203
Opp Drive End Bearing Size	203	UL	Recognized
CSA	Y	CE	N
IP Code	43		

Technical Specifications

Electrical Type	Squirrel Cage Inverter Rated	Starting Method	Line Or Inverter
Poles	4	Rotation	Reversible
Mounting	Rigid base	Motor Orientation	HORIZONTAL
Drive End Bearing	BALL	Opp Drive End Bearing	BALL
Frame Material	Rolled Steel	Shaft Type	NEMA 56
Overall Length	11.81 in	Frame Length	6.56 in
Shaft Diameter	0.625 in	Shaft Extension	1.88 in
Assembly/Box Mounting	F1 ONLY		
Outline Drawing	A-100110LN-656	Connection Diagram	A-EE7308T-LN



- NOTES:
1. CONDUIT BOX CAN BE ROTATED 180°.
 2. NAMEPLATE READ FROM CONDUIT BOX SIDE OF MOTOR.

DASH	FR.	C	AG	BS
606	56-60	11.31	9.25	2.75
656	56-65	11.81	9.75	3.25
706	56-70	12.31	10.25	3.75
756	56-75	12.81	10.75	4.25

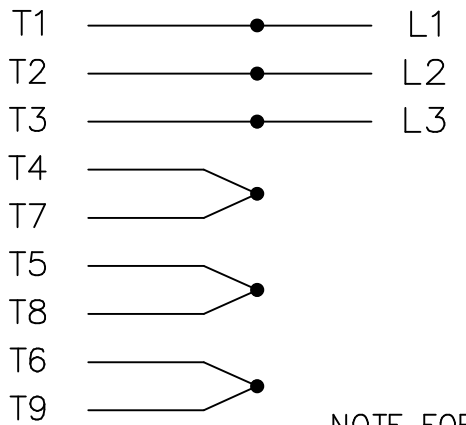
06-01-2000

		TOLERANCES UNLESS SPECIFIED		Lincoln MOTORS		DRAWN BLR 06-10-1999		
		DEC.	INCHES			CHK	ML 06-18-1999	
		.X	±.1			APPD	GK 06-18-1999	
		.XX	±.03	TITLE OUTLINE		SCALE 5=16		
2	ADDED NAMEPLATE LOC. CN27400-296	BLR	08-05-1999	56 FRAME - TEFC - C'FACE		REF		
1	NEW DRAWING	BLR	06-18-1999	MAT'L.		FMF		
NO.	REVISION	BY & DATE	CHK	ANG	±'30"	FINISH	PREV	
			RFP	06-18-1999	CAD FILE	100110ln	SIZE	DRAWING NO. PAGE 1 OF 1 REV.
			DIST	WP			A	100110LN 2

THIS DRAWING IN DESIGN AND DETAIL IS OUR PROPERTY AND MUST NOT BE USED EXCEPT IN CONNECTION WITH OUR WORK ALL RIGHTS OF DESIGN AND INVENTION ARE RESERVED THIS IS AN ELECTRONICALLY GENERATED DOCUMENT - DO NOT SCALE THIS PRINT

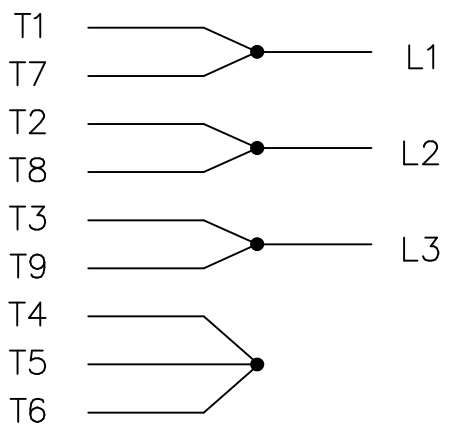
THREE PHASE
DUAL VOLTAGE MOTOR

HIGH VOLTAGE

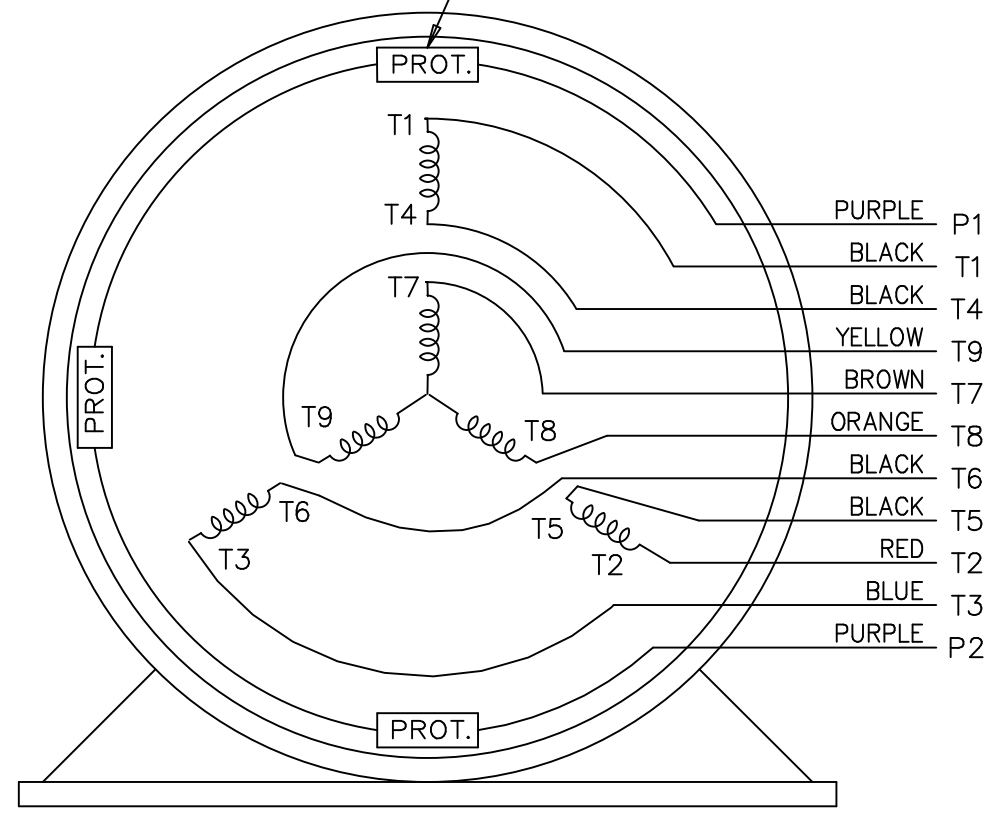


NOTE FOR FACTORY USE ONLY:
TO SURGE TEST FOR COMMON CONNECT:
HIGH VOLT: CONNECT P1 TO T1
THEN P2 TO L1
LOW VOLT: CONNECT P1 TO T1 & T7,
THEN P2 TO L1

LOW VOLTAGE



THREMO-PROTECTORS
CONNECTED IN SERIES.



VIEW OF TERMINAL END

				TOLERANCES UNLESS SPECIFIED			DRAWN BJK 07-16-2002					
				DEC.	INCHES		CHK DRS 07-18-2002					
				.X	±.1		APPD GK 07-18-2002					
				.XX	±.02		SCALE 1=1					
2	ADDED COLORS TO "T & P" LEADS	CN 40494	MSG 08-08-2006	ML	.XXX	±.005	TITLE CONNECTION DIAGRAM 3 PHASE - DUAL VOLTAGE MOTOR		REF			
1	NEW DRAWING		BJK 07-18-2002	DRS	.XXXX	±.0005			MAT'L.	FMF		
NO.	REVISION		BY & DATE	CHK	ANG	±7'30"	FINISH	PREV				
THIS DRAWING IN DESIGN AND DETAIL IS OUR PROPERTY AND MUST NOT BE USED EXCEPT IN CONNECTION WITH OUR WORK ALL RIGHTS OF DESIGN AND INVENTION ARE RESERVED THIS IS AN ELECTRONICALLY GENERATED DOCUMENT - DO NOT SCALE THIS PRINT				RFP	CAD FILE ee7308t_ln			SIZE	DRAWING NO.	PAGE	OF	REV.
				DIST	LB			A	EE7308T-LN			2

