

PRODUCT INFORMATION PACKET



Model No: SRF4S1.5TC61Q40
Catalog No: LM22665
1.5,1800,TEFC,56HC,3/60/230/460
4:1 Speed Ratio



Regal and Leeson are trademarks of Regal Beloit Corporation or one of its affiliated companies.
©2018 Regal Beloit Corporation, All Rights Reserved. MC017097E



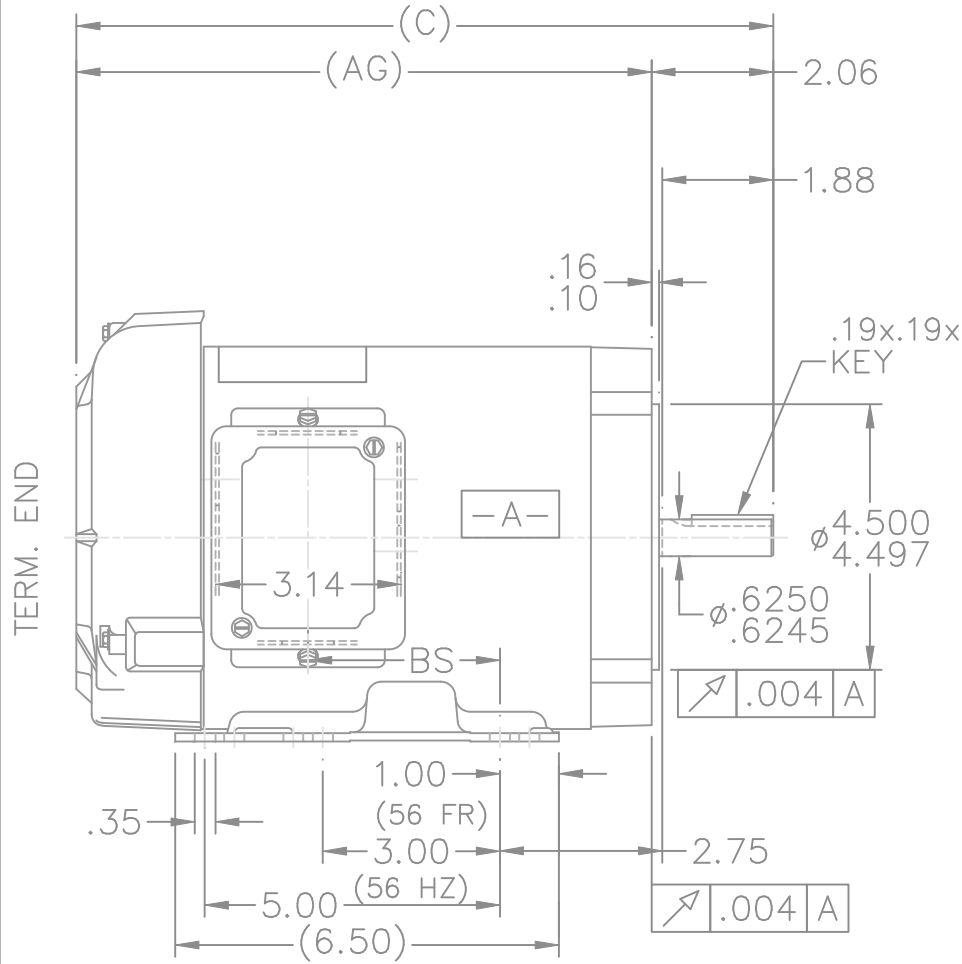


Nameplate Specifications

Output HP	1.50 Hp	Output KW	1.1 kW
Frequency	60 Hz	Voltage	230/460 V
Current	5.0/2.5 A	Speed	1740 rpm
Service Factor	1	Phase	3
Efficiency	78.5 %	Duty	Continuous
Insulation Class	F	Design Code	B
KVA Code	M	Frame	56HC
Enclosure	Totally Enclosed Fan Cooled	Overload Protector	No
Ambient Temperature	40 °C	Drive End Bearing Size	205
Opp Drive End Bearing Size	203	UL	Recognized
CSA	Y	CE	Y
IP Code	43		

Technical Specifications

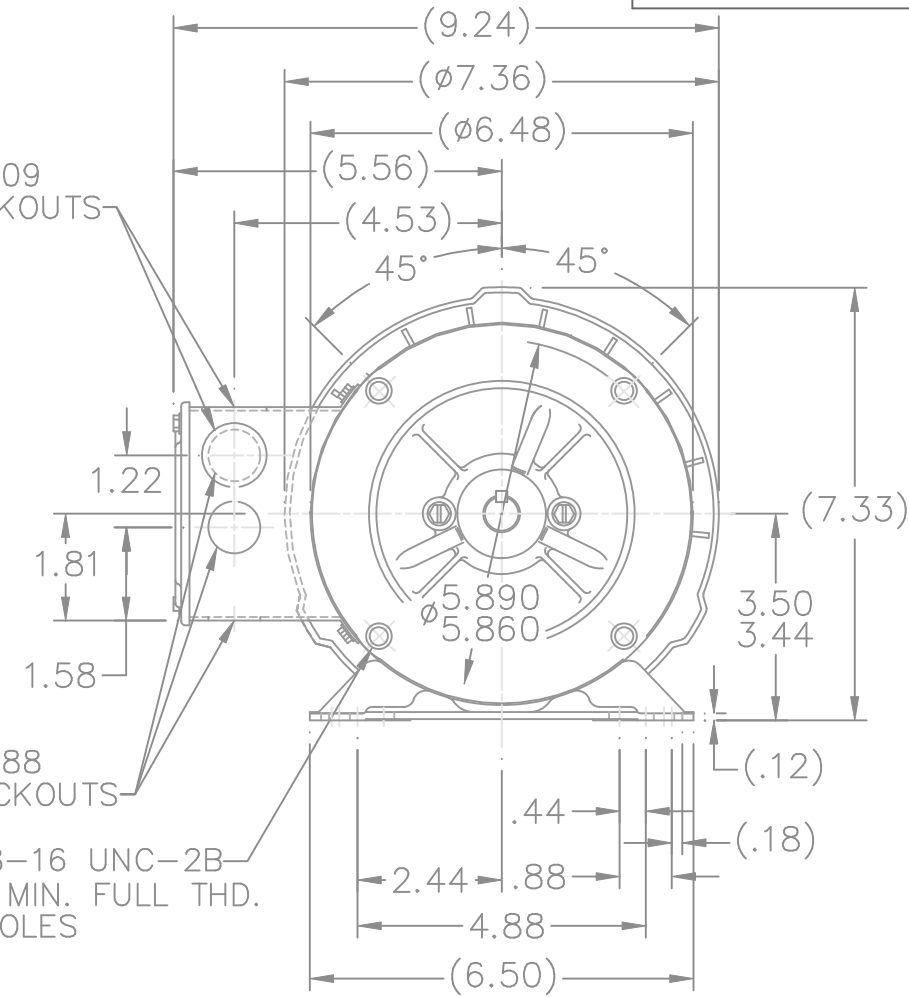
Electrical Type	Squirrel Cage Inverter Duty	Starting Method	Inverter Only
Poles	4	Rotation	Reversible
Mounting	Rigid base	Motor Orientation	HORIZONTAL
Drive End Bearing	BALL	Opp Drive End Bearing	BALL
Frame Material	Rolled Steel	Shaft Type	NEMA 56
Overall Length	13.32 in	Frame Length	8.06 in
Shaft Diameter	0.625 in	Shaft Extension	1.88 in
Assembly/Box Mounting	F1 ONLY		
Outline Drawing	A-100109LN-806	Connection Diagram	A-EE7308T-LN



2- ϕ 1.09
KNOCKOUTS

3- ϕ .88
KNOCKOUTS

3/8-16 UNC-2B
.56 MIN. FULL THD.
4 HOLES



NOTES:
1. CONDUIT BOX CAN BE ROTATED 180°
2. NAMEPLATE READ FROM CONDUIT BOX SIDE OF MOTOR.

DASH	FR.	C	AG	BS	DASH	FR.	C	AG	BS
656	56-65	11.82	9.75	3.25	856	56-85	13.82	11.75	5.25
706	56-70	12.32	10.25	3.75	906	56-90	14.32	12.25	5.75
756	56-75	12.82	10.75	4.25	956	56-95	14.82	12.75	6.25
806	56-80	13.32	11.25	4.75					

10-07-1999
02-15-2000

TOLERANCES UNLESS SPECIFIED	
DEC.	INCHES
.X	\pm .1
.XX	\pm .03
.XXX	\pm .005
.XXXX	\pm .0005
ANG	\pm 7'30"



DRAWN	BLR 06-10-1999
CHK	ML 06-18-1999
APPD	GK 06-18-1999
SCALE	5=16
REF	
FMF	
PREV	

2	AD'D NAMEPLATE LOC.	CN 27400-296	BLR 08-05-1999
1	NEW DRAWING		BLR 06-18-1999
NO.	REVISION	BY & DATE	CHK

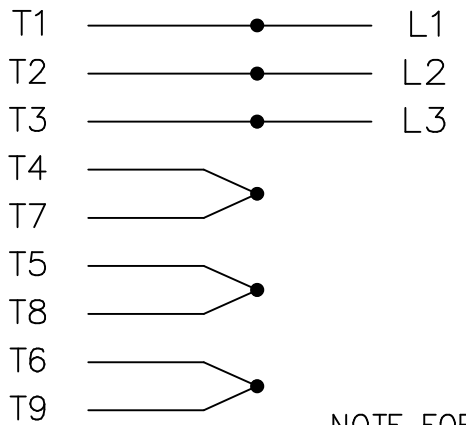
TITLE	OUTLINE
	56 FR. - TEFC - 3 - 'C' FACE
MAT'L.	
FINISH	

THIS DRAWING IN DESIGN AND DETAIL IS OUR PROPERTY AND MUST NOT BE USED EXCEPT IN CONNECTION WITH OUR WORK ALL RIGHTS OF DESIGN AND INVENTION ARE RESERVED THIS IS AN ELECTRONICALLY GENERATED DOCUMENT - DO NOT SCALE THIS PRINT

RFP	CAD FILE 100109LN	SIZE	DRAWING NO. 100109LN	PAGE	OF	REV.
DIST	WP	A				2

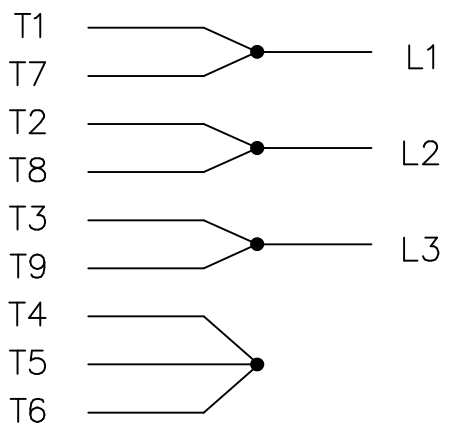
THREE PHASE
DUAL VOLTAGE MOTOR

HIGH VOLTAGE

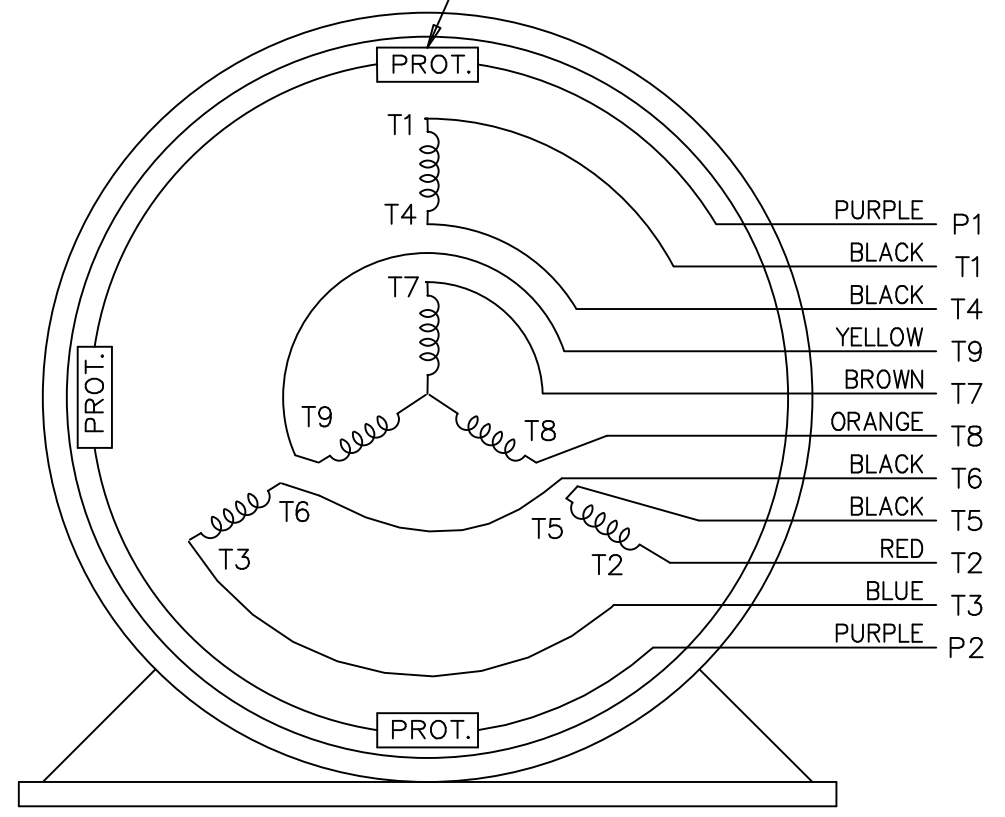


NOTE FOR FACTORY USE ONLY:
 TO SURGE TEST FOR COMMON CONNECT:
 HIGH VOLT: CONNECT P1 TO T1
 THEN P2 TO L1
 LOW VOLT: CONNECT P1 TO T1 & T7,
 THEN P2 TO L1

LOW VOLTAGE



THREMO-PROTECTORS
CONNECTED IN SERIES.



VIEW OF TERMINAL END

				TOLERANCES UNLESS SPECIFIED			DRAWN BJK 07-16-2002
				DEC.	INCHES		CHK DRS 07-18-2002
				.X	±.1		APPD GK 07-18-2002
				.XX	±.02	TITLE CONNECTION DIAGRAM	SCALE 1=1
2	ADDED COLORS TO "T & P" LEADS	CN 40494	MSG 08-08-2006	ML .XXX	±.005	3 PHASE - DUAL VOLTAGE MOTOR	REF
1	NEW DRAWING		BJK 07-18-2002	DRS .XXXX	±.0005	MAT'L.	FMF
NO.	REVISION	BY & DATE	CHK	ANG	±7'30"	FINISH	PREV
THIS DRAWING IN DESIGN AND DETAIL IS OUR PROPERTY AND MUST NOT BE USED EXCEPT IN CONNECTION WITH OUR WORK ALL RIGHTS OF DESIGN AND INVENTION ARE RESERVED THIS IS AN ELECTRONICALLY GENERATED DOCUMENT - DO NOT SCALE THIS PRINT				RFP	CAD FILE ee7308t_ln		SIZE A
				DIST LB			DRAWING NO. EE7308T-LN
						PAGE OF	REV. 2



P.O. BOX 8003
WAUSAU, WI 54401-8003
PH. 715-675-3311

DATA VOLTS: 460

CERTIFICATION DATA SHEET

CONN. DIAGRAM: A-EET7308T-LN
OUTLINE: A-100109LN-806
WINDING: ZT4137

CAT #: LM22665

R1 3

TYPICAL MOTOR PERFORMANCE DATA

HP	KW	SYNC RPM	FL RPM	FRAME	ENCLOSURE	TYPE	KVA CODE	DESIGN		
1.5	1.1	1800	1740	56HC	TEFC	TFR	M	INC		
PH	HZ	VOLTS	AMPS	START TYPE	DUTY	INSL	S.F.	AMB	ELEV.	
3	60	230/460	5/2.5	INVERTER ONLY	CONT	F	1.15	40	3300	
F.L. EFF	F.L. PF	3/4 LD EFF	3/4 LD PF	76.5	1/2 LD EFF	71.5	GTD EFF	75.5	ELECT. TYPE	
78.5	74.5	3/4 LD PF	66.0	66.0	1/2 LD PF	54.4	54.4	75.5	SQ CAGE INV DUTY	
F.L. TORQUE	LR AMPS @ 460 V	17.8	LB-FT	396%	19.5	LB-FT	433%	60	F.L. RISE (°C)	
4.5	LB-FT	19.0	17.8	LB-FT	396%	19.5	LB-FT	433%	60	
PRESSURE @ 3	POWER	ROTOR WK²	MAX. LOAD WK²	SAFE STALL TIME	STARTS/HOUR	MOTOR WGT	62	DBA	71	DBA
62	DBA	71	DBA	0.09	LB-FT²	0	LB-FT²	0	SEC.	0

*** SUPPLEMENTAL INFORMATION ***

DE BRACKET TYPE	ODE BRACKET TYPE	MOUNT TYPE	MOTOR ORIENTATION	SEVERE DUTY	HAZARDOUS LOCATION	DRIIP COVER	SCREENS	PAINT
C-FACE	STANDARD	RIGID	HORIZONTAL	NO	NONE	NO	NONE	GRAY (POWDER)
BEARINGS	GREASE	SHAFT TYPE	SPECIAL DE	SPECIAL ODE	SHAFT	MATERIAL	FRAME MATERIAL	
DE BALL 205	BALL POLYREX EM	STANDARD 56	NONE	NONE	1144 STRESSPROOF (C-223)	ROLLED STEEL		
THERMOSTATS	PROTECTORS	WDG RTD's	BRG RTD's	THERMISTORS	CONTROL	SPACE HEATERS		
TSTATS (N/C)	NOT	NONE	NONE	NONE	FALSE	NA		
R1 (ohms/ph)	R2 (ohms/ph)	X1 (ohms/ph)	X2 (ohms/ph)	Xm (ohms/ph)	VIBRATION (in/sec)	FLOAT		
6.539	4.782	7.768	7.277	188.055	0.080	ODE		

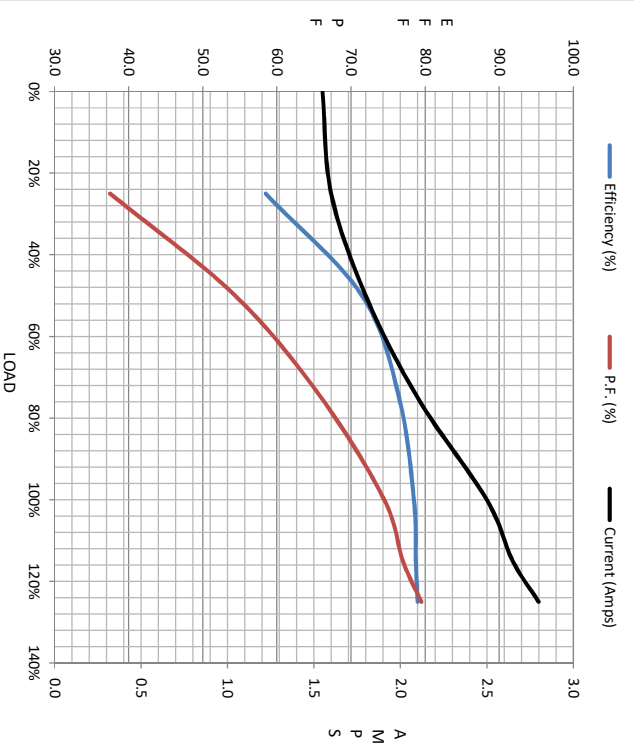
* N O T E S *		INVERTER TORQUE: CONSTANT 4:1
		INV. HP SPEED RANGE: NONE
		ENCODER: NONE
		BRAKE: NONE
		FT-LB: NA
		VOLTAGE: NONE
		UI: V-OVER TEMP PROT 3, P1-P2
		HZ: NONE

DATE: 1/19/2018	
-----------------	--



Motor Load Data						
Load	0%	25%	50%	75%	100%	LR
Current (Amps)	1.55	1.60	1.80	2.10	2.50	19.0
Torque (ft-lb)	0.00	1.10	2.20	3.4	4.5	17.8
RPM	1800	1785	1770	1760	1740	0
Efficiency (%)		58.5	71.5	76.5	78.5	78.8
P.F. (%)	16.0	37.5	54.4	66.0	74.5	79.5

Motor Speed Data						Information Block					
LR	Pull-Up	BD	Rated	Idle		HP		Sync. RPM		Frame	
0	600	1175	1740	1800		1.5		1800		56	
19.0	17.0	13.0	2.50	1.55						TEFC	
17.8	16.0	19.5	4.5	0.00						TFR	
										230/460	V
										60	Hz
										B	
										M	
										1.0	
										60	°C
										CONT	
										40	°C
										1,000	feet
										0.09	Lb-Ft ²
										Z14137 R1	
										62	dB(A)
										CONSTANT 4:1	
										A-100109LN-906	
										A-EE7308T-LN	
										Additional Specifications:	
										0	
										EQUIV CKT (OHMS / PHASE)	
										R1	X1
										R2	X2
										6.5390	4.7820
										7.7690	7.2770
										Xm	188.0550



VFD Rating	CONSTANT 4:1		
Outline Dwg	A-100109LN-906		
Conn. Diag	A-EE7308T-LN		
Additional Specifications:	0		
	EQUIV CKT (OHMS / PHASE)		
	R1	R2	X1
	6.5390	4.7820	7.7690
	X2	Xm	
	7.2770	188.0550	

