

# PRODUCT INFORMATION PACKET



Model No: SRN4S0.33TC61Q15  
Catalog No: LM10346  
1/3, 1800, TENV, 56C, 3/60/230/460  
2000:1 With Encoder Provision



Regal and Leeson are trademarks of Regal Beloit Corporation or one of its affiliated companies.  
©2018 Regal Beloit Corporation, All Rights Reserved. MC017097E



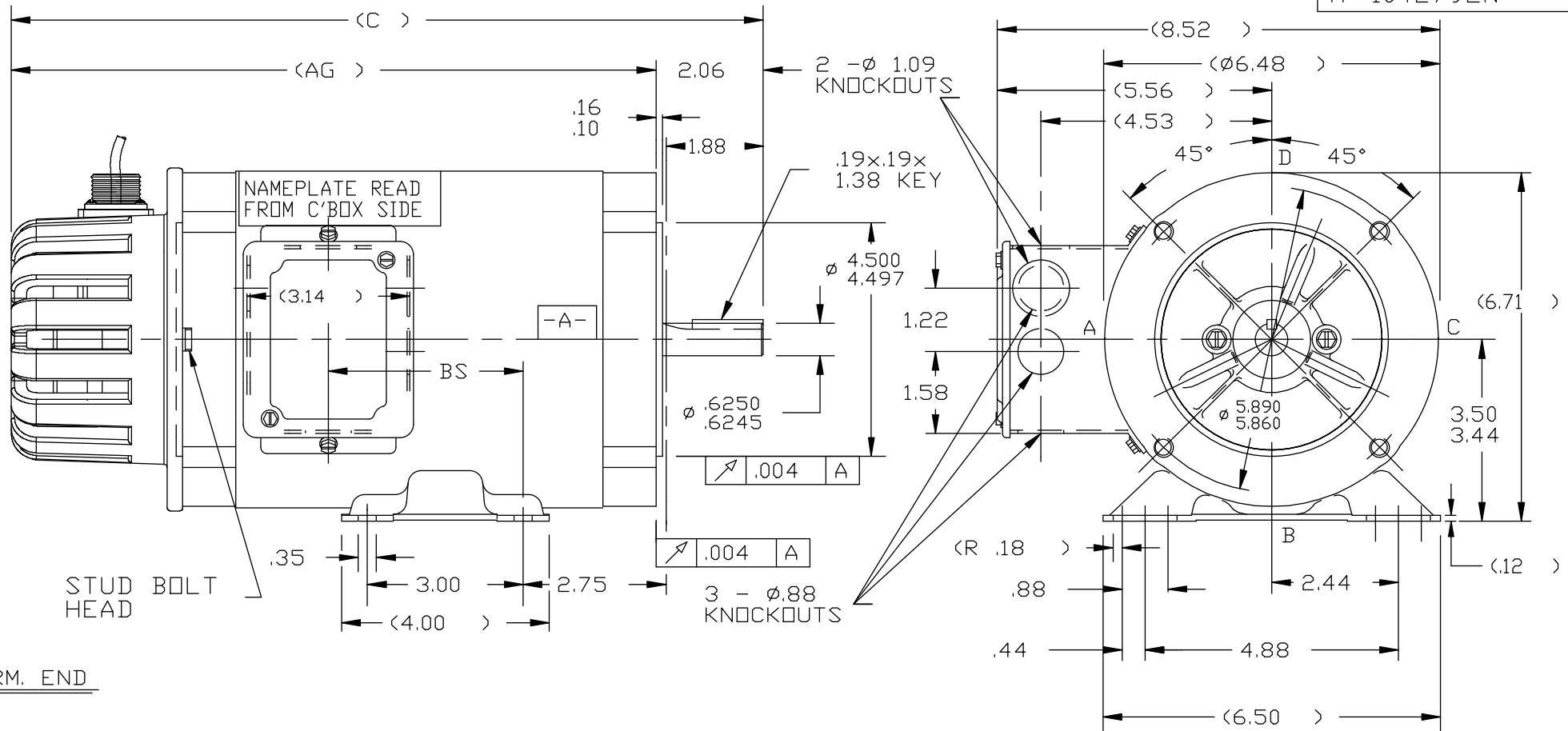


### Nameplate Specifications

Output HP	<b>0.33 Hp</b>	Output KW	<b>0.25 kW</b>
Frequency	<b>60 Hz</b>	Voltage	<b>230/460 V</b>
Current	<b>1.0/0.50 A</b>	Speed	<b>1725 rpm</b>
Service Factor	<b>1</b>	Phase	<b>3</b>
Efficiency	<b>78.5 %</b>	Duty	<b>Continuous</b>
Insulation Class	<b>F</b>	Design Code	<b>INV</b>
KVA Code	<b>R</b>	Frame	<b>56C</b>
Enclosure	<b>Totally Enclosed Non Ventilated</b>	Overload Protector	<b>No</b>
Ambient Temperature	<b>40 °C</b>	Drive End Bearing Size	<b>203</b>
Opp Drive End Bearing Size	<b>203</b>	UL	<b>Recognized</b>
CSA	<b>Y</b>	CE	<b>N</b>
IP Code	<b>43</b>		

### Technical Specifications

Electrical Type	<b>Squirrel Cage Inverter Duty</b>	Starting Method	<b>Inverter Only</b>
Poles	<b>4</b>	Rotation	<b>Reversible</b>
Mounting	<b>Rigid base</b>	Motor Orientation	<b>HORIZONTAL</b>
Drive End Bearing	<b>BALL</b>	Opp Drive End Bearing	<b>BALL</b>
Frame Material	<b>Rolled Steel</b>	Shaft Type	<b>T</b>
Overall Length	<b>14.47 in</b>	Frame Length	<b>7.06 in</b>
Shaft Diameter	<b>0.625 in</b>	Shaft Extension	<b>1.88 in</b>
Assembly/Box Mounting	<b>F1 ONLY</b>		
Outline Drawing	<b>A-104279LN-706</b>	Connection Diagram	<b>A-EE7308T-LN</b>



TERM. END

DASH	FR.	C	AG	BS	DASH	FR.	C	AG	BS
					756	56-75	14.97	12.91	4.25
606	56-60	13.47	11.41	2.75	806	56-80	15.47	13.41	4.75
656	56-65	13.97	11.91	3.25	856	56-85	15.97	13.91	5.25
706	56-70	14.47	12.41	3.75					

NOTES:  
1. CONDUIT BOX CAN BE ROTATED 180°.

				<b>Lincoln</b> MOTORS		✓ UNLESS OTHERWISE SPECIFIED DIMENSIONS ARE IN INCHES TOL. ON XX± .03    XXX±.005    XXXX±.0005    ANGLES± 7'30"			
						MAX. SURFACE ROUGHNESS UNLESS OTHERWISE NOTED		DRAWN BY HLB 11-05-2001	
						FINISH		CHKD BY DRS 11-13-2001	
						MATERIAL		APPD BY MAL 11-15-2001	
1	11-13-2001	NEW DRAWING			CN 31077			PART NAME OUTLINE 56 FR. - TENV - DBL C'FACE	
REV	DATE	CHANGE			NAME			DRWG NO A-104279LN	

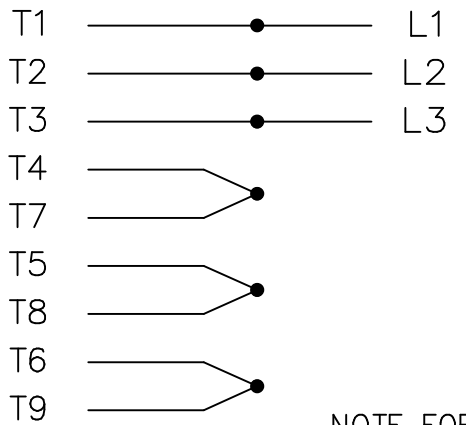
PURCHASED

DISTRIBUTION WA - LB - WP - LN - BY CADD FILE NO.

104279LN

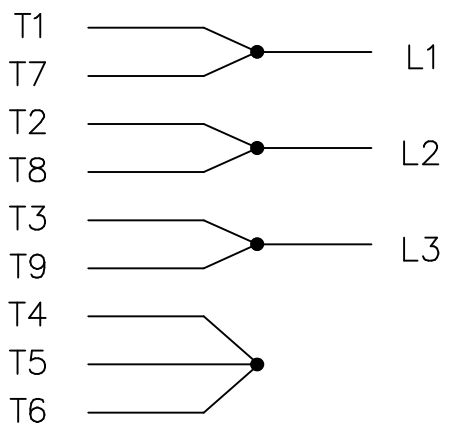
THREE PHASE  
DUAL VOLTAGE MOTOR

HIGH VOLTAGE

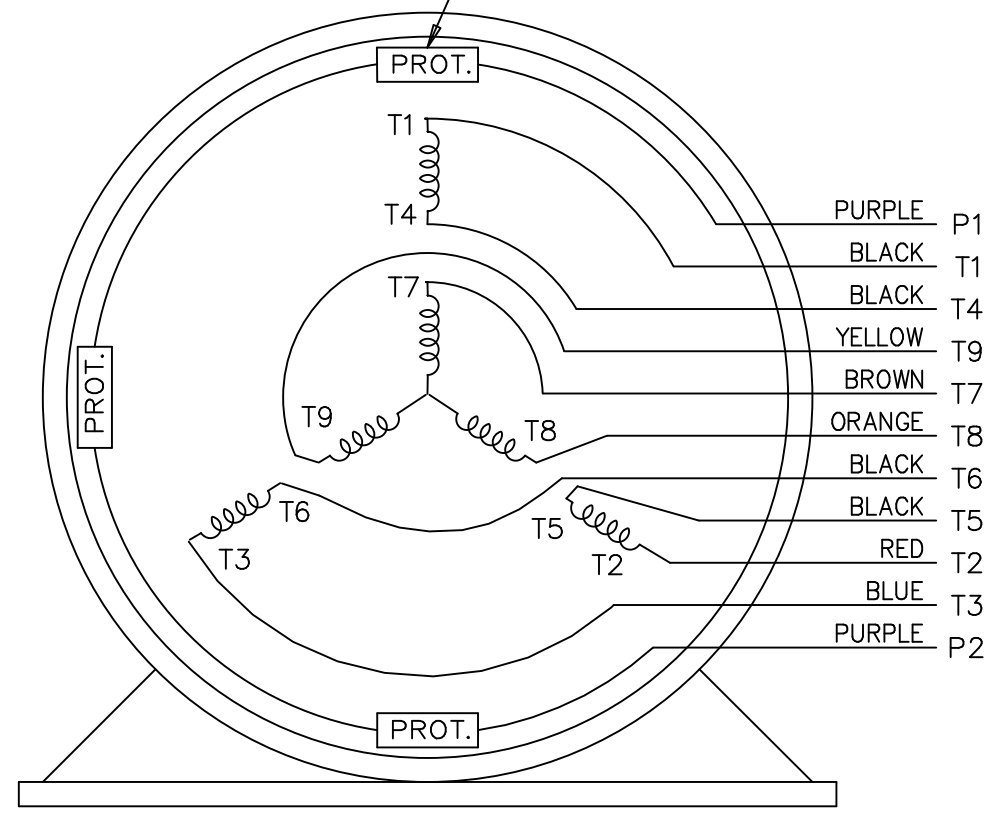


NOTE FOR FACTORY USE ONLY:  
TO SURGE TEST FOR COMMON CONNECT:  
HIGH VOLT: CONNECT P1 TO T1  
THEN P2 TO L1  
LOW VOLT: CONNECT P1 TO T1 & T7,  
THEN P2 TO L1

LOW VOLTAGE



THREMO-PROTECTORS  
CONNECTED IN SERIES.



VIEW OF TERMINAL END

				TOLERANCES UNLESS SPECIFIED			DRAWN BJK 07-16-2002			
				DEC.	INCHES		CHK DRS 07-18-2002			
				.X	±.1		APPD GK 07-18-2002			
				.XX	±.02		SCALE 1=1			
2	ADDED COLORS TO "T & P" LEADS	CN 40494	MSG 08-08-2006	ML	.XXX	±.005	TITLE CONNECTION DIAGRAM 3 PHASE - DUAL VOLTAGE MOTOR		REF	
1	NEW DRAWING		BJK 07-18-2002	DRS	.XXXX	±.0005			MAT'L.	FMF
NO.	REVISION	BY & DATE	CHK	ANG	±7'30"		FINISH	PREV		
THIS DRAWING IN DESIGN AND DETAIL IS OUR PROPERTY AND MUST NOT BE USED EXCEPT IN CONNECTION WITH OUR WORK ALL RIGHTS OF DESIGN AND INVENTION ARE RESERVED THIS IS AN ELECTRONICALLY GENERATED DOCUMENT - DO NOT SCALE THIS PRINT				RFP	CAD FILE ee7308t_ln			SIZE	DRAWING NO. PAGE OF	REV.
				DIST	LB			A	EE7308T-LN	2

Data Sheet

Date: 1/24/2018

LM10346



Data @ 460 V

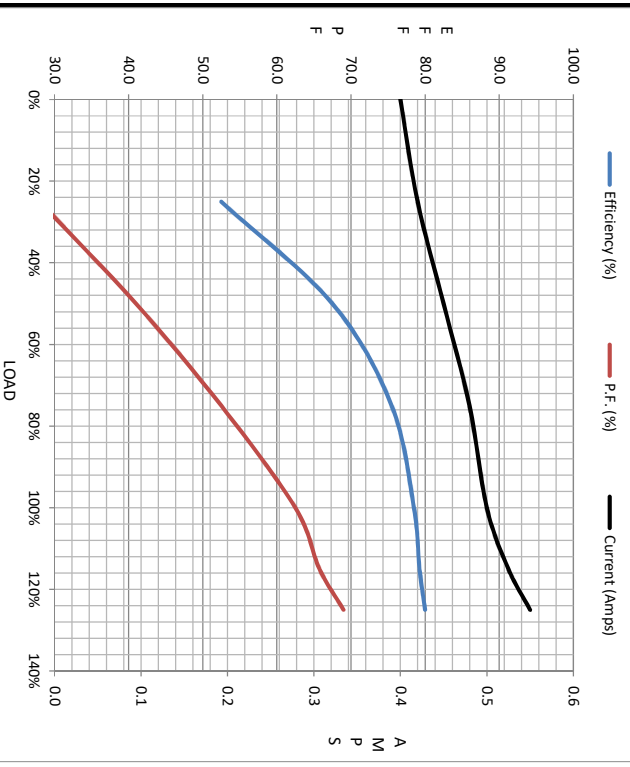
Motor Load Data								
Load	0%	25%	50%	75%	100%	115%	125%	LR
Current (Amps)	0.40	0.42	0.45	0.48	0.50	0.53	0.55	6.0
Torque (ft-lb)	0.00	0.25	0.50	0.75	0.98	1.12	1.25	4.2
RPM	1800	1790	1780	1775	1765	1761	1755	0
Efficiency (%)		52.5	67.5	75.5	78.5	79.3	80.0	
P.F. (%)	12.0	28.0	41.0	52.5	62.5	65.8	69.0	72.0

Motor Speed Data

	LR	Pull-Up	BD	Rated	Idle
Speed (RPM)	0	800	1265	1765	1800
Current (Amps)	6.0	5.0	4.2	0.50	0.40
Torque (ft-lb)	4.2	4.2	6.0	0.98	0.00

Information Block

HP	0.3			
Sync. RPM	1800			
Frame	56			
Enclosure	TENV			
Construction	TTR			
Voltage	230/460 V			
Frequency	60 Hz			
Design	A			
LR Code letter	R			
Service Factor	1.15			
Temp Rise @ FL	30 °C			
Duty	CONT			
Ambient	40 °C			
Elevation	1,000 feet			
Rotor/Shaft wk²	0.06 LB-Ft²			
Ref Wdg	Z1471 R3			
Sound Pressure @ 1M	62 dBA			
VFD Rating	CONSTANT 100:1			
Outline Dwg	A-104279LN-706			
Conn. Diag	A-EE7308T-LN			
Additional Specifications:				
0				
EQUIV CKT (OHMS / PHASE)				
R1	R2	X1	X2	Xm
22.0160	12.2980	23.3920	10.3200	509.1200



Speed - Torque Curve

