

PRODUCT INFORMATION PACKET



Model No: SSD4B15T62Y

Catalog No: LM34128

..15HP..1800RPM.254T.ODP.200/400V.3PH.60HZ.CONT.40C.1.15SF.RIGID.....SPECIAL VOLTAGE.....
200/400 Volts



Regal and Leeson are trademarks of Regal Beloit Corporation or one of its affiliated companies.

©2018 Regal Beloit Corporation, All Rights Reserved. MC017097E



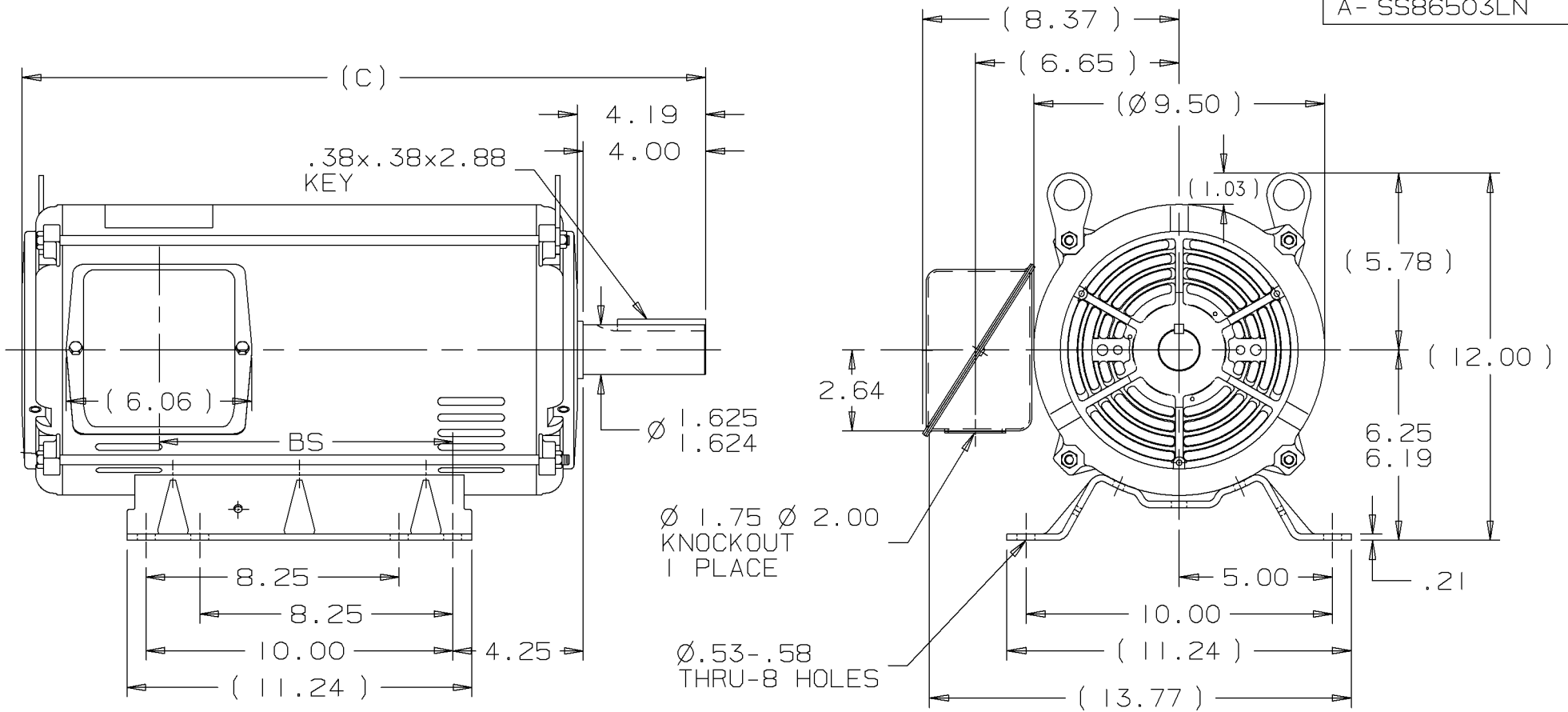


Nameplate Specifications

Output HP	15 Hp	Output KW	11.2 kW
Frequency	60 Hz	Voltage	200/400 V
Current	44.0/22.1 A	Speed	1770 rpm
Service Factor	1.15	Phase	3
Efficiency	93 %	Duty	Continuous
Insulation Class	F	Design Code	A
KVA Code	J	Frame	254T
Enclosure	Drip Proof	Overload Protector	No
Ambient Temperature	40 °C	Drive End Bearing Size	6309
Opp Drive End Bearing Size	6208	UL	Recognized
CSA	Y	CE	Y
IP Code	12		

Technical Specifications

Electrical Type	Squirrel Cage Induction Run	Starting Method	Wye Start Delta Run
Poles	4	Rotation	Reversible
Mounting	Rigid base	Motor Orientation	HORIZONTAL
Drive End Bearing	BALL	Opp Drive End Bearing	BALL
Frame Material	Rolled Steel	Shaft Type	T
Overall Length	22.32 in	Frame Length	15.45 in
Shaft Diameter	1.625 in	Shaft Extension	4 in
Assembly/Box Mounting	F1/F2 CAPABLE		
Outline Drawing	SS86503LN-1545	Connection Diagram	005517.01



DASH	FR.	C	BS	MOUNTING
1370	254T	20.57	7.68	F1 OR F2
1545	254T/256T	22.32	9.43	F1 OR F2

- NOTES:
1. NAMEPLATE TO BE READ FROM C'BOX SIDE OF MOTOR.
 2. BOX CAN BE MOUNTED IN 90° STEPS.
 3. BOX CAN BE MOUNTED ON OPPOSITE SIDE BY REMOVING BRACKETS AND TURNING FRAME 180°. (EXCEPT AS NOTED.)
 4. F2 MOUNT -USES 2ND HOLE ON 1370 FRAME.

						UNLESS OTHERWISE SPECIFIED DIMENSIONS ARE IN INCHES TOL. ON XX±.02 XXX±.005 XXXX±.0005 ANGLES± 7'30"	
2	01-31-2000	UPDATED CONDUIT BOX PER	CN 28427	TJB	MAX. SURFACE ROUGHNESS UNLESS OTHERWISE NOTED		DRAWN BY TRB 07-20-1999
					FINISH		CHKD BY ML 07-20-1999
1	07-20-1999	NEW DRAWING		TRB	MATERIAL		APPD BY GK 07-20-1999
REV	DATE	CHANGE		NAME	PART NAME OUTLINE		DRWG NO
					250 FR. - BB - DR.PR.		A- SS86503LN
				PURCHASED		CADD FILE NO. SS86503LN	

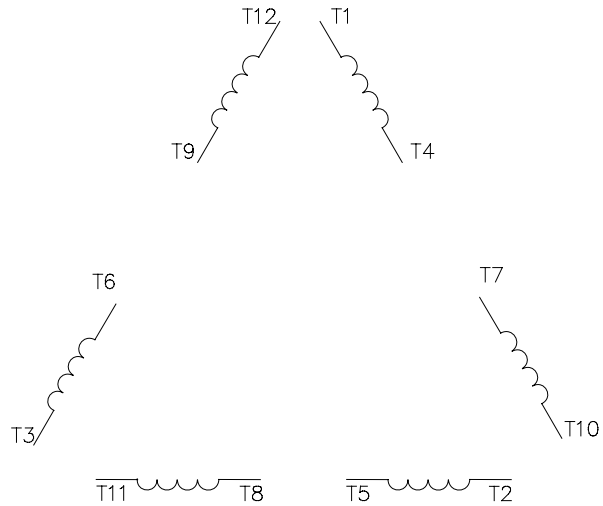


```
ERROR: syntaxerror  
OFFENDING COMMAND: --nostringval--
```

```
STACK:
```

```
/RS  
-dictionary-  
/Pscript_WinNT_Compact  
-dictionary-
```

ROTATION CAN BE REVERSED BY
INTERCHANGING ANY TWO LINE LEADS




HIGH VOLTAGE

START (1Y) – RUN (1D) CONNECTION				
	LINE 1	LINE 2	LINE 3	JOIN & INSULATE
START (1Y)	T1	T2	T3	(T4,T7) (T5,T8) (T6,T9) (T10,T11,T12)
RUN (1D)	T1,T12	T2,T10	T3,T11	(T4,T7) (T5,T8) (T6,T9)

LOW VOLTAGE

START (2Y) – RUN (2D) CONNECTION				
	LINE 1	LINE 2	LINE 3	JOIN & INSULATE
START (2Y)	T1,T7	T2,T8	T3,T9	(T4,T5,T6) (T10,T11,T12)
RUN (2D)	T1,T6 T7,T12	T2,T4 T8,T10	T3,T5 T9,T11	△

				TOLERANCES UNLESS SPECIFIED		 Regal Beloit America, Inc.	DRAWN JD 11/10/2011
				DEC.	INCHES		CHK AK 11/10/2011
				.X	±.1		APPD
				.XX	±.01		SCALE 1=1
				.XXX	±.005	TITLE	EXT. WIRING DIAGRAM WYE START DELTA RUN
A	NEW DRAWING	SAJ 06/26/15	AJA	XXXX	±.0005	MAT'L.	DECAL – 081378
NO.	REVISION	BY & DATE	CHK	ANG	±1/2*	FINISH	PREV
THIS DRAWING IN DESIGN AND DETAIL IS OUR PROPERTY AND MUST NOT BE USED EXCEPT IN CONNECTION WITH OUR WORK ALL RIGHTS OF DESIGN AND INVENTION ARE RESERVED THIS IS AN ELECTRONICALLY GENERATED DOCUMENT – DO NOT SCALE THIS PRINT				RFP		CAD FILE	00551701
				DIST		SIZE	A
						DRAWING NO.	005517.01
						REV.	A



P.O. BOX 8003
WAUSAU, WI 54401-8003
PH. 715-675-3311

DATA VOLTS: 460

CERTIFICATION DATA SHEET

CONN. DIAGRAM: 005517.01
OUTLINE: SS86503LN-1545
WINDING: K2154378

CAT #: LM34128

R1 6

TYPICAL MOTOR PERFORMANCE DATA

HP	KW	SYNC RPM	FL RPM	FRAME	ENCLOSURE	TYPE	KVA CODE	DESIGN				
15	11.2	1800	1765	254T	DP	TDX	J	A				
PH	HZ	VOLTS	AMPS	START TYPE	DUTY	INSL	S.F.	AMB	ELEV.			
3	60	200/400	44/22.1	NYE START DELTA RUN	CONT	F	1.15	40	3300			
F.L. EFF	F.L. PF	3/4 LD EFF	3/4 LD PF	93.0	72.5	1/2 LD EFF	1/2 LD PF	92.4	60.5	91.7	GTD EFF	ELECT. TYPE
44.5	LB-FT	LR AMPS @ 460 V	167	135	LB-FT	303%	142	LB-FT	319%	40	F.L. RISE (°C)	
PRESSURE @ 3	DBA	POWER	ROTOR WK²	MAX. LOAD WK²	SAFE STALL TIME	STARTS/HOUR	MOTOR WGT					
70	79	DBA	1.70	LB-FT²	90	LB-FT²	20	SEC.	2	185	LB.	

*** SUPPLEMENTAL INFORMATION ***

DE BRACKET TYPE	ODE BRACKET TYPE	MOUNT TYPE	MOTOR ORIENTATION	SEVERE DUTY	HAZARDOUS LOCATION	DRIP COVER	SCREENS	PAINT
STANDARD	STANDARD	RIGID	HORIZONTAL	NO	NONE	NO	NONE	GRAY - LINCOLN
BEARINGS	GREASE	SHAFT TYPE	SPECIAL DE	SPECIAL ODE	SHAFT	MATERIAL	FRAME MATERIAL	
DE	ODE							
BALL	BALL	POLYREX EM	T	NONE	1045 HOT ROLLED (C-204)	ROLLED STEEL		
6309	6208							

THERMOSTATS	PROTECTORS	WIDG RTD's	BRG RTD's	THERMISTORS	CONTROL	SPACE HEATERS
NONE	NOT	NONE	NONE	NONE	FALSE	NA
R1 (ohms/ph)	R2 (ohms/ph)	X1 (ohms/ph)	X2 (ohms/ph)	Xm (ohms/ph)	VIBRATION (in/sec)	FLOAT
0.229	0.2	0.829	1.229	18.221	0.150	ODE

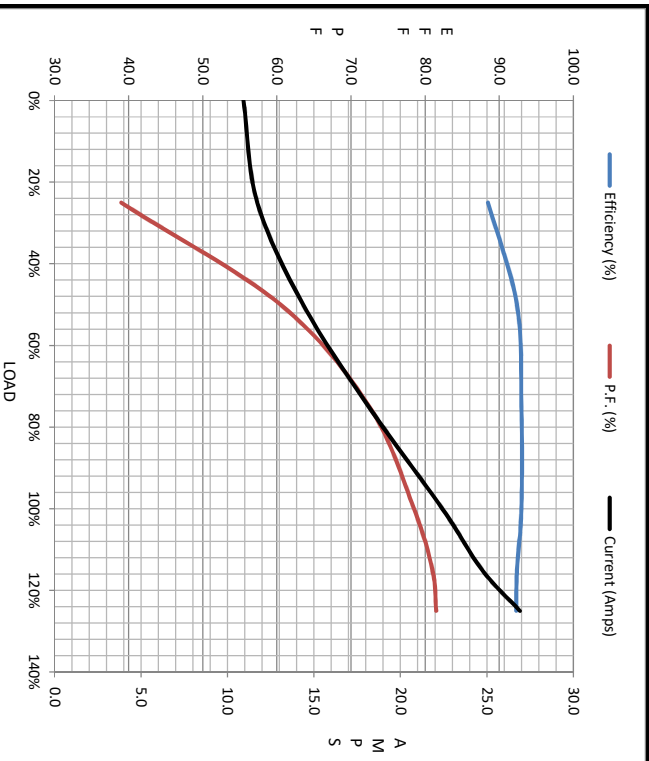
* N O T E S *	INVERTER TORQUE: NONE	
	INV. HP SPEED RANGE: NONE	
	ENCODER: NONE	NONE PPR
	NONE	
	NONE	

DATE:	1/29/2018	BRAKE: NONE	NONE
		FT-LB: NA	NONE
		VOLTAGE: NONE	NONE
		UL: VINS, CONST UL REC	HZ:



Motor Load Data									
Load	0%	25%	50%	75%	100%	115%	125%	LR	
Current (Amps)	10.9	11.7	14.4	18.2	22.4	24.7	26.9	167	
Torque (ft-lb)	0.00	11.0	22.0	33.2	44.5	51.5	56.0	135	
RPM	1800	1791	1785	1777	1765	1765	1759	0	
Efficiency (%)		88.5	92.4	93.0	93.0	92.4	92.3		
P.F. (%)	5.0	39.0	60.5	72.5	78.5	81.0	81.5	45.0	

Motor Speed Data						Information Block																										
LR	Pull-Up	BD	Rated	Idle		HP	Sync. RPM	Frame	Enclosure	Construction	Voltage	Frequency	Design	LR Code letter	Service Factor	Temp Rise @ FL	Duty	Ambient	Elevation	Rotor/Shaft wk ²	Ref Wdg	Sound Pressure @ 1M	VFD Rating	Outline Dwg	Conn. Diag	Additional Specifications:	EQUIV CKT (OHMS / PHASE)	R1	R2	X1	X2	Xm
0	900	1525	1765	1800		15.0	1800	256	DP	TDX	200/400	60	A	J	1.15	40	CONT	40	1,000	1.70	K2154378 R1	70	dB(A)	NONE	SS96503LN-1545	005517.01		0.2290	0.2000	0.8290	1.2290	18.2210



LR	Pull-Up	BD	Rated	Idle
0	900	1525	1765	1800
167	150	104	22.4	10.9
135	125	142	44.5	0.00

