

BALDOR® • RELIANCE 

Product Information Packet

SUL50154SM

1.50HP,1800RPM,1PH,60HZ,180TY,TENV,FOOT

Part Detail							
Revision:	B	Status:	PRD/A	Change #:		Proprietary:	No
Type:	AC	Elec. Spec:	A00081A A 002	CD Diagram:		Mfg Plant:	
Mech. Spec:		Layout:	066930-020	Poles:	04	Created Date:	04-09-2015
Base:		Eff. Date:	08-14-2018	Leads:			

Specs			
Catalog Number:	SUL50154SM	Duty Rating:	15 MIN
Enclosure:	TEXP	Heater Indicator:	No Heater
Frame:	180TY	Insulation Class:	F
Frame Material:	Iron	Inverter Code:	Not Inverter
Output @ Frequency:	1.500 @ 60 HZ	KVA Code:	M
Voltage @ Frequency:	115 V @ 60 HZ	Lifting Lugs:	Standard Lifting Lugs
	230 V @ 60 HZ	Motor Type:	CS
XP Class and Group:	None	Mounting Arrangement:	V1
XP Division:	Not Applicable	Product Family:	Other
Agency Approvals:	CCSA US	Pulley End Bearing Type:	Ball
	CSA	Pulley Face Code:	Standard
	UL	Shaft Rotation:	Reversible
Base Indicator:	Rigid	Shaft Slinger Indicator:	No Slinger
Bearing Grease Type:	Polyrex EM (-20F +300F)	Speed Code:	Single Speed
Current @ Voltage:	10.6 A @ 230 V	Motor Standards:	NEMA
	21.2 A @ 115 V	Starting Method:	Direct on line
Design Code:	L	Thermal Device - Winding:	Normally Closed Thermostat
Drip Cover:	No Drip Cover	XP Temp Code:	T3C

Nameplate 000613007AC		
CLASS I GROUP	C D X	NO. <input type="text"/>
CLASS II GROUP	X X X	
OPERATING TEMP CODE	T3C	

Nameplate 000613007MN										
CAT NO	SUL50154SM		SPEC NO.	C18G2731						
HP	1.5	AMPS	21.2/10.6		VOLTS	115/230		DESIGN	L	
FRAME SIZE	X180TY		RPM	1735	HZ	60	AMB	40	SF	1.15
D.E. BRG.	50BC02JPP30A			PH	1	DUTY	15MIN		INSUL	F
O.D.E. BRG.	25BC02JPG30A			TYPE	CS	ENCL	TENV		CODE	M
				POWER FACTOR				NEMA-NOM-EFF		
				MAX CORR KVAR				GUARANTEED EFFICIENCY		
						NEMA NOM/CSA QUOTED EFF @		100% LOAD		
SER.NO.				MOTOR WEIGHT				LBS.		
	*15 MIN IN AIR ;SUB. IN									
	SEWAGE / WATER ONLY ONLY;									
	FINAL CONN@230V MAXDEPTH IN MANUAL									

Nameplate 000613007MR									
CAT NO	SUL50154SM		SPEC NO.	C18G2731					
HP	1.5	AMPS	21.2/10.6		VOLTS	115/230		DESIGN	L
FRAME SIZE	X180TY	RPM	1735		HZ	60	AMB	40	
D.E. BRG.	50BC02JPP30A		PH	1		DUTY	15MIN		
O.D.E. BRG.	25BC02JPG30A		TYPE	CS		ENCL	TENV		
			POWER FACTOR						
			MAX CORR KVAR						
			NEMA NOM/CSA QUOTED EFF @						
SER.NO.			MOTOR WEIGHT			LBS.	NEMA-NOM-EFF		
							GUARANTEED EFFICIENCY		
							100% LOAD		
	*15 MIN IN AIR ;SUB. IN								
	SEWAGE / WATER ONLY ONLY;								
	FINAL CONN@230V MAXDEPTH IN MANUAL								

Nameplate 000692000MB

CW ROTATION

C18G2731A

CONTROL BOX 701455-2BN

MODEL # C18G2731A

1.5 HP ; 1735 RPM ; 115/230 VOLTS;

21.2/10.6 AMPS ; 60 HZ ; 1 PHASE;

W/D 413450-12

FINAL CONNECT AT 230V

Parts List		
Part Number	Description	Quantity
SA297498	SA C18G2731	1.000 EA
RA284467	RA C18G2731	1.000 EA
000613000FX	ROTATION NAMEPLATE, STAINLESS STEEL	1.000 EA
000613007AC	UL NAMEPLATE FOR HAZARDOUS LOCATIONS	1.000 EA
000613007MN	NP,MEDIUM AC,NO CERT,STD INDUSTRIAL	1.000 EA
000613007MR	NP, MEDIUM AC, CSA, STD INDUSTRIAL	1.000 EA
000692000EJ	NAME PLATE	1.000 EA
000901001AA	LABEL WARNING	1.000 EA
424476003ZA	WIRING DIAGRAM MEDIUMA	1.000 EA
424476003ZA	WIRING DIAGRAM MEDIUMA	1.000 EA
000692000MB	BALDOR RELIANCE MOTOR DATA NAMEPLATE	1.000 EA
034692002AE	HCSPP 1/4" 304 S.S.	1.000 EA
004824015A	GREASE POLYREX EM	0.100 LB
032018010CG	HHCS 3/8-16X1-1/4L 316SS	4.000 EA
032130008CC	HSHCS 3/8-16 X 1.00" L	4.000 EA
032620020JD	HSSS 10-24X5/8L 304S.S.	1.000 EA
034692003AE	PPLG 3/8" 304 S.S.	2.000 EA
047174005B	SNAP RING	1.000 EA
047174005C	SNAP RING	1.000 EA
064262012B	SEAL	1.000 EA
064262012C	SEAL	1.000 EA
088204001AA	BRKT,DE,180SUB 88204-1WA	1.000 EA
088205002A	SUB PLT 180 88205-2WCB	1.000 EA
413412004A	SUBM MOISTURE PROBE	2.000 EA

Parts List (continued)		
Part Number	Description	Quantity
413412005R	LEAD WIRE ASSY(BLANKET	1.000 EA
413480001R	RESISTOR ASSEMBLY-BLANKET	1.000 EA
421900124FU	ORING	1.000 EA
421900124FU	ORING	1.000 EA
603760001AA	LABYRINTH	1.000 EA
032018006BM	HHCS 5/16-18X3/4 PLTGRN.	1.000 EA
032018006BM	HHCS 5/16-18X3/4 PLTGRN.	1.000 EA
034036013AB	LCKW 5/16 EXT.TOOTH LCKW	1.000 EA
047024003AH	T/LUG AMP 34112	4.000 EA
032018008BG	HHCS 5/16-18X1 BRASS-447	4.000 EA
032080003LB	HWHMS 1/4-20X3/8L PLTED	6.000 EA
032080003JB	HWHMS 10-24X3/8L PLTED	4.000 EA
415031017A	NUT W/WASHER 10-24 C.PLT	4.000 EA
701455002BN	CONTROL BOX	1.000 EA
047024017A	QUICK CONN. 19008-002	2.000 EA
047024003B	T/LUG AMP 33218	9.000 EA
415031017B	NUT W/WASHER1/4-20 C.P	6.000 EA
421900072FU	ORING	1.000 EA
609181014D	HEAT SHRINK TUBING 3/4	10.000 EA
700385017F	CCA #8 25' 180	1.000 EA
004824007K	SPECIAL PAINT	0.100 EA
033775004EA	DRSCR #6-1/4 304 S.S.	4.000 EA
034180008CD	3/16 SQ. X 1IN. KEY	1.000 EA
032375012GB	HSOSS 6-32X1-1/2~ PLATED	4.000 EA

Product Information Packet: SUL50154SM - 1.50HP,1800RPM,1PH,60HZ,180TY,TENV,FOOT

034017007AB	LCKW NO.6 PLATED	4.000 EA
088203012A	BRKT,ODE,180SUB	1.000 EA
411140000AA	SWITCH ASSY SUBMERSIBLE	2.000 EA
413412007R	LEAD WIRE SWITCH	2.000 EA
421900124FU	ORING	1.000 EA
004824018AF	SHELL ROTELLA OIL 10W	1.500 LB
032018006AG	HHCS 1/4-20X3/4L 316 SS	3.000 EA
032018010CG	HHCS 3/8-16X1-1/4L 316SS	4.000 EA
000901001AA	LABEL WARNING	1.000 EA
B3630-9	SUBM THERMOSTAT TAG	1.000 EA
B-3664002	TAG, (NON REGREASABLE)	1.000 EA


REL. S.O.	FRAME	HP	TYPE	PHASE/ HERTZ	RFM	VOLTS
-	180TY	1.5	CS	1/60	1735	115
AMPS	DUTY	AMB °C/ INSTL.	S.F.	NEMA DESIGN	CODE LETTER	ENCL.
21	*	40/F	1.15	-	M	SUB
E/S	ROTOR	TEST S.O.	TEST DATE	STATOR RES. @25 °C OHMS (BETWEEN LINES)		
-	418424-50BE	-	-	.2925/1.698		

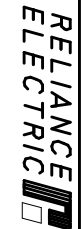
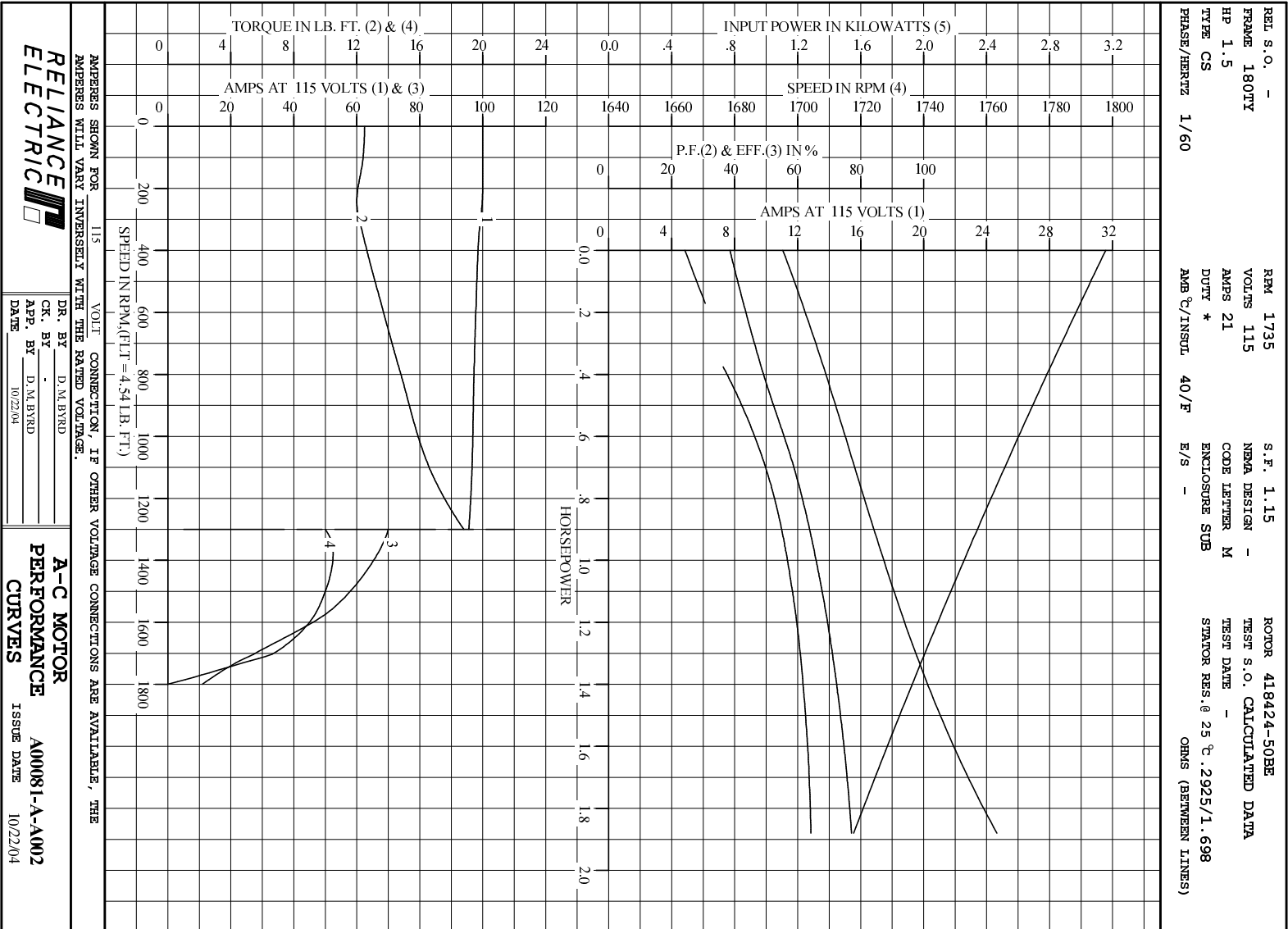
PERFORMANCE							
LOAD	HP	AMPERES	RFM	INPUT KW	% POWER FACTOR	% EFFI- CIENCY	
NO LOAD	0	11.0	1800	.486	38.5	0	
1/4	.38	13.8	1776	.771	48.4	36.3	
2/4	.75	15.8	1764	1.09	60.2	51.3	
3/4	1.12	18.2	1750	1.43	68.2	58.7	
4/4	1.50	21.2	1734	1.79	73.6	62.5	
5/4	1.88	24.6	1717	2.18	77.1	64.2	

SPEED TORQUE					
	RPM	TORQUE % FULL LOAD	TORQUE LB.-FT.	AMPERES	
LOCKED ROTOR	0	275	12.5	100	
PULL UP	1300	220	10.0	70.0	
BREAKDOWN	1368	231	10.5	67.2	
FULL LOAD	1734	100	4.54	21.0	

AMPERES SHOWN FOR 115. VOLT CONNECTION. IF OTHER VOLTAGE CONNECTIONS ARE AVAILABLE, THE AMPERES WILL VARY INVERSELY WITH THE RATED VOLTAGE

REMARKS : CALCULATED DATA
*15 MIN IN AIR CONT IN LIQUID

	DR. BY	D. M. BYRD	A-C MOTOR PERFORMANCE DATA
	CK. BY	-	
	APP. BY	D. M. BYRD	A00081-A-A002
	DATE	10/22/04	ISSUE DATE 10/22/04

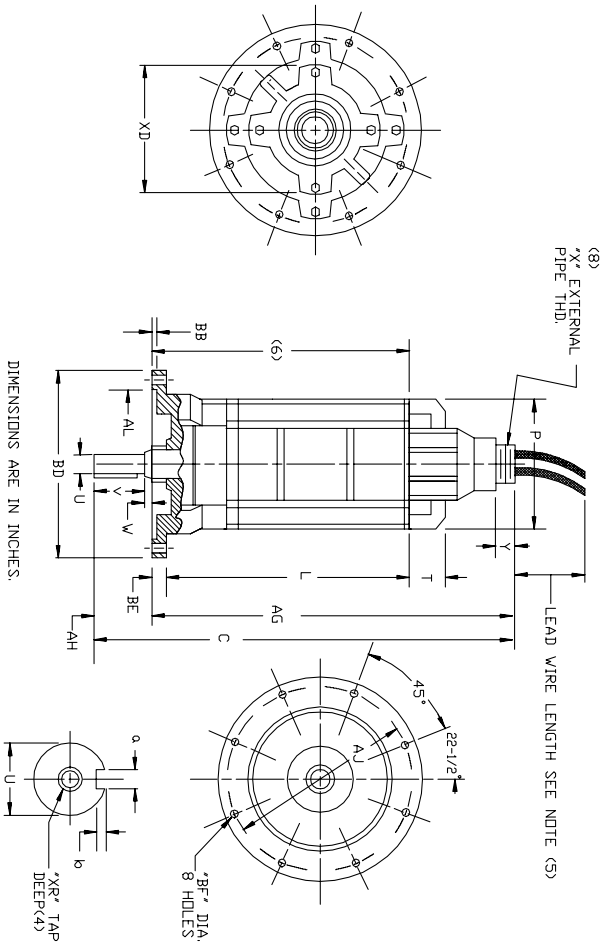


DR. BY D.M.BYRD
 CK. BY -
 APP. BY D.M.BYRD
 DATE 10/22/04

A-C MOTOR
PERFORMANCE
CURVES
 A00081-A-A002
 ISSUE DATE 10/22/04

Printed on 4/22/07 20:26 @ psacs-motoreng

DUTY MASTER ALTERNATING CURRENT MOTORS
 SQUIREL-CAGE INDUCTION
 ENCLOSURE: TOTALLY ENCLOSED
 SUBMERSIBLE
 ONE SIZE SMALLER FLANGE AND SHAFT
 FRAMES 180TY THRU 210TY



FRAME	C	L	P	T	UC(3)	V	W	AG	AH	AJ	AL(7)
180TY	25.94	16.50	9.62	2.25	.8750	1.25	.31	24.38	1.56	10.00	9.125
210TY	32.41	21.12	11.50	2.25	1.2500	2.00	.28	30.12	2.28	11.50	10.625

FRAME	BD(2)	BE	BF	XR(4)	LEAD CONNECTION			B.E. KEYWAY				
					X	Y	XD	q	b	LENGTH	WEIGHT	
180TY	11.062	.75	1.44	3/8-16	2-1/2-8	1.25	6/75	.12	1.87	.09	1.12	200
210TY	12.375	.75	1.56	1/2-13	2-1/2-8	1.25	7/75	.12	2.50	.12	1.12	315

- (1) SPECIAL DIMENSIONS ON THIS LINE.
- (2) *BD* VARIES ± .010
- (3) *U* VARIES +.0000, -.0005
- (4) TAP DEPTH ON 180TY THRU 210TY IS .138
- (5) LEAD WIRE LENGTH AS SPECIFIED ON CERTIFICATION
- (6) MINIMUM SUBMERGED DEPTH.
- (7) *AL* VARIES +.004, -.000
- (8) 3" - 8 PIPE THREAD SUPPLIED WITH CABLE SIZES NO. 4 AND LARGER.

CUSTOMER IS RESPONSIBLE FOR DETERMINING THAT BALDOR'S PRODUCT WILL PERFORM SUITABLY IN THE INTENDED APPLICATION.

REV. DESC: LOAD TO BUS	VERSION: 00	TDR: 000000925374
REV. LTR: -	REvised: 08:11:59 05/14/2015	BY: RGGWT
FILE: \RGG\00025\093		
MTL: -		

BALDOR

DIM SHT,180TY THRU 210TY,SUBMERSIBLE,1 SIZE SMALLER FLG/SH

SH 1 of 1

Marketing maintained PDF of MN414:

<http://www.baldor.com/support/Literature/Load.ashx/MN414?ManNumber=MN414>

