

BALDOR® • RELIANCE 

Product Information Packet

SUM710004-4

100HP,1770RPM,3PH,60HZ,360TY,TENV,FOOTL

Part Detail							
Revision:	B	Status:	PRD/A	Change #:		Proprietary:	No
Type:	AC	Elec. Spec:	E09838A D 003	CD Diagram:	416820-036	Mfg Plant:	
Mech. Spec:		Layout:	066930-060	Poles:	04	Created Date:	04-09-2015
Base:		Eff. Date:	09-10-2018	Leads:			

Specs			
Catalog Number:	SUM710004-4		
Enclosure:	TENV		
Frame:	360TY		
Frame Material:	Iron		
Output @ Frequency:	100.000 @ 60 HZ		
Voltage @ Frequency:	460 V @ 60 HZ		
XP Class and Group:	None		
XP Division:	Not Applicable		
Agency Approvals:	CCSA US		
	CSA		
	UL		
Base Indicator:	Rigid		
Bearing Grease Type:	Polyrex EM (-20F +300F)		
Current @ Voltage:	116 A @ 460 V		
Design Code:	B		
Drip Cover:	No Drip Cover		
Duty Rating:	15 MIN		
Heater Indicator:	No Heater		

Insulation Class:	F		
Inverter Code:	Not Inverter		
KVA Code:	G		
Lifting Lugs:	Standard Lifting Lugs		
Motor Type:	M		
Mounting Arrangement:	V1		
Product Family:	Other		
Pulley End Bearing Type:	Ball		
Pulley Face Code:	Standard		
Shaft Rotation:	Reversible		
Shaft Slinger Indicator:	No Slinger		
Speed Code:	Single Speed		
Motor Standards:	NEMA		
Starting Method:	Direct on line		
Thermal Device - Winding:	Normally Closed Thermostat		
XP Temp Code:	T3C		

Nameplate 000613007AC		
CLASS I GROUP	C D X	NO. <input type="text"/>
CLASS II GROUP	X X X	
OPERATING TEMP CODE	T3C	

Nameplate 000613007MN									
CAT NO	SUM710004-4	SPEC NO.	P36G2701						
HP	100	AMPS	116.	VOLTS	460	DESIGN	B		
FRAME SIZE	X0360TY	RPM	1770	HZ	60	AMB	40	SF	1.15
D.E. BRG.	90BJ33J30X	PH	3	DUTY	15MIN	INSUL	F		
O.D.E. BRG.	50BC03JG30X	TYPE	P	ENCL	TENV	CODE	G		
		POWER FACTOR		NEMA-NOM-EFF					
		MAX CORR KVAR		GUARANTEED EFFICIENCY					
		NEMA NOM/CSA QUOTED EFF @		100% LOAD					
SER.NO.		MOTOR WEIGHT		LBS.					
	*15 MIN IN AIR ;SUB. IN								
	SEWAGE / WATER ONLY MAXDEPTH								
	IN MANUAL								

Nameplate 000613007MR									
CAT NO	SUM710004-4		SPEC NO.	P36G2701					
HP	100	AMPS	116.	VOLTS	460		DESIGN	B	
FRAME SIZE	X0360TY		RPM	1770		HZ	60	AMB	40
D.E. BRG.	90BJ33J30X		PH	3		DUTY	15MIN		
O.D.E. BRG.	50BC03JG30X		TYPE	P		ENCL	TENV		
			POWER FACTOR						
			MAX CORR KVAR						
			NEMA NOM/CSA QUOTED EFF @						
SER.NO.			MOTOR WEIGHT			LBS.	NEMA-NOM-EFF		
							GUARANTEED EFFICIENCY		
							100% LOAD		
	*15 MIN IN AIR ;SUB. IN								
	SEWAGE / WATER ONLY MAXDEPTH								
	IN MANUAL								

Parts List		
Part Number	Description	Quantity
SA297283	SA P36G2701	1.000 EA
RA283479	RA P36G2701	1.000 EA
424476003WL	WIRING DIAGRAM MEDIUMA	1.000 EA
000613007AC	UL NAMEPLATE FOR HAZARDOUS LOCATIONS	1.000 EA
000613007MN	NP,MEDIUM AC,NO CERT,STD INDUSTRIAL	1.000 EA
000613007MR	NP, MEDIUM AC, CSA, STD INDUSTRIAL	1.000 EA
000692000EJ	NAME PLATE	1.000 EA
000901001AA	LABEL WARNING	1.000 EA
034692002AE	HCSPP 1/4" 304 S.S.	2.000 EA
004824015A	GREASE POLYREX EM	0.600 LB
032018018EG	HHCS 5/8-11X2-1/4 316 SS	8.000 EA
032130020EC	HSHCS 5/8-11X2-1/2 304	8.000 EA
032620020JD	HSSS 10-24X5/8L 304S.S.	1.000 EA
034141300AC	RETAINING RING	1.000 EA
064262008J	SEAL 360 SUBMERSIBLE	1.000 EA
034141325AC	RETAINING RING	1.000 EA
034692003AE	PPLG 3/8" 304 S.S.	2.000 EA
064262012G	SEAL	1.000 EA
413412004B	SUBM MOISTURE PROBE	2.000 EA
413412005X	LEAD WIRE ASSY	1.000 EA
413480001R	RESISTOR ASSEMBLY-BLANKET	1.000 EA
421900192FU	ORING	1.000 EA
421900240FU	ORING	1.000 EA
004824018AF	SHELL ROTELLA OIL 10W	7.311 LB

Parts List (continued)		
Part Number	Description	Quantity
603762061A	BRASS,SLINGER,X360TY,EXI,7BY	1.000 EA
801173002A	BRKT,DE,360SUB	1.000 EA
801174002A	MTGPLT 360 801174-1WCA	1.000 EA
032018006BM	HHCS 5/16-18X3/4 PLTGRN.	1.000 EA
032018006BM	HHCS 5/16-18X3/4 PLTGRN.	1.000 EA
034036013AB	LCKW 5/16 EXT.TOOTH LCKW	1.000 EA
047024003AH	T/LUG AMP 34112	4.000 EA
032018016EG	HHCS 5/8-11X2 316S.S.	4.000 EA
032080003LB	HWHMS 1/4-20X3/8L PLTED	3.000 EA
032080003JB	HWHMS 10-24X3/8L PLTED	4.000 EA
415031017A	NUT W/WASHER 10-24 C.PLT	4.000 EA
415031017B	NUT W/WASHER1/4-20 C.P	3.000 EA
047024003R	LUG	3.000 EA
421900124FU	ORING	1.000 EA
609181014D	HEAT SHRINK TUBING 3/4	7.000 EA
004824007K	SPECIAL PAINT	0.100 EA
700385014AB	CCA #1 25' 320/360	1.000 EA
033775004EA	DRSCR #6-1/4 304 S.S.	6.000 EA
034180024GD	KEY 1/2X1/2X3L 303 S.S.	1.000 EA
421900240FU	ORING	1.000 EA
801171002A	BRKT, ODE, 360 SUB	1.000 EA
032018010CG	HHCS 3/8-16X1-1/4L 316SS	3.000 EA
032018018EG	HHCS 5/8-11X2-1/4 316 SS	8.000 EA
B3630-9	SUBM THERMOSTAT TAG	1.000 EA

B-3664002	TAG, (NON REGREASABLE)	1.000 EA
-----------	------------------------	----------

REL. S.O.	FRAME	HP	TYPE	PHASE/HERTZ	RPM	VOLTS
	360TY	100	P	3/60	1770	460
AMPS	DUTY	AMB °C/ INSUL.	S.F.	NEMA DESIGN	CODE LETTER	ENCL.
116	*	40/F	1.15	B	G	SUB
E/S	ROTOR	TEST S.O.	TEST DATE	STATOR RES. @25 °C (OHMS BETWEEN LINES)		
492294	418141-30-WE	---	---	.0880		

PERFORMANCE


LOAD	HP	AMPERES	RPM	INPUT KW	% POWER FACTOR	% EFFI- CIENCY
NO LOAD	0	39.9	1800	3.07	9.66	0
1/4	25.0	49.3	1793	22.0	55.9	85.0
2/4	50.0	68.2	1786	41.3	76.0	90.4
3/4	74.9	91.9	1779	61.0	83.4	91.6
4/4	99.9	119	1771	81.4	86.2	91.6
5/4	125	148	1762	103	86.8	90.9

SPEED TORQUE

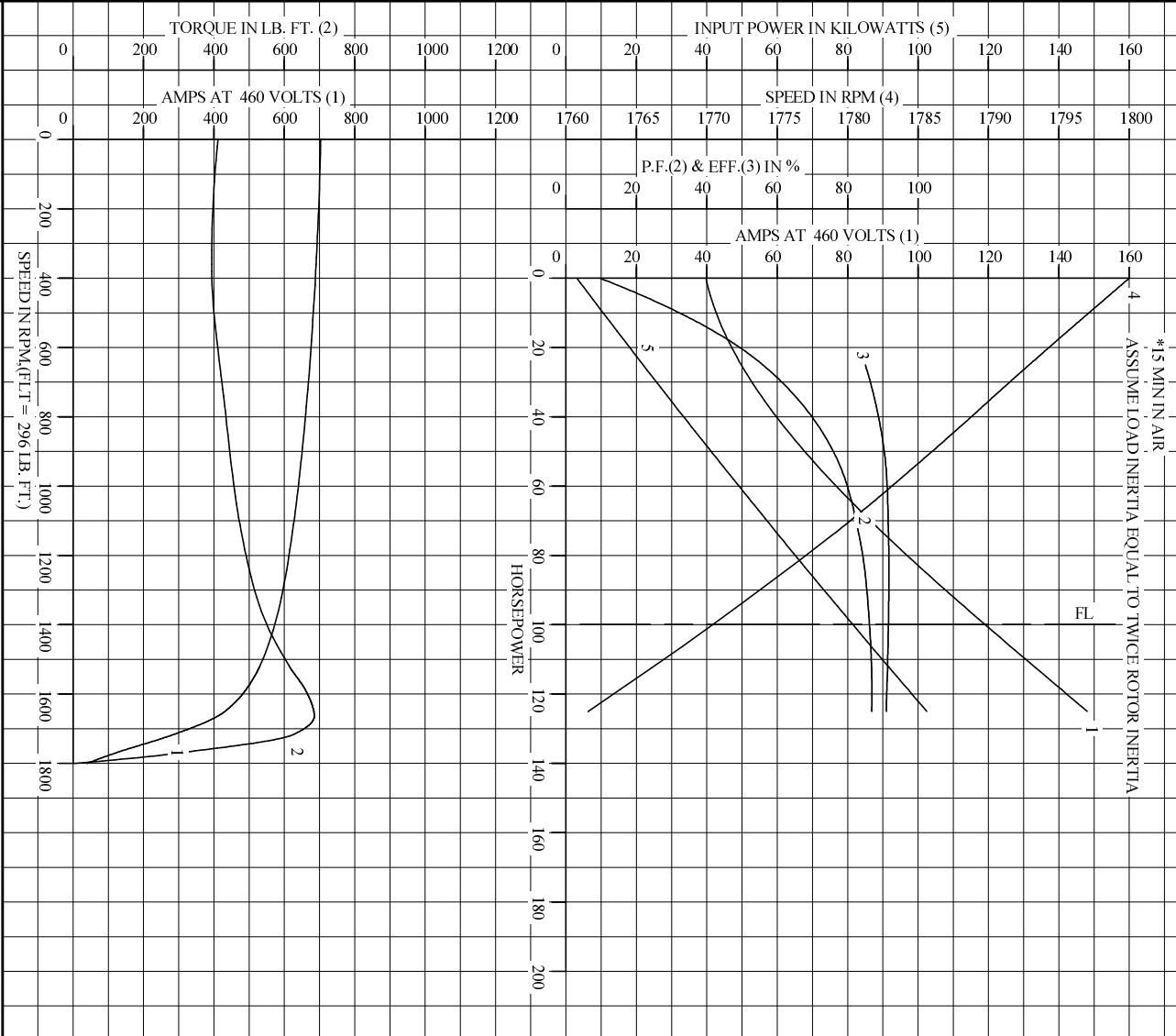
	RPM	TORQUE % FULL LOAD	TORQUE LB.-FT.	AMPERES
LOCKED ROTOR	0	139	412	703
PULL UP	360	133	393	690
BREAKDOWN	1664	231	685	411
FULL LOAD	1771	100	296	119

AMPERES SHOWN FOR 460. VOLT CONNECTION. IF OTHER VOLTAGE CONNECTIONS ARE AVAILABLE, THE AMPERES WILL VARY INVERSELY WITH THE RATED VOLTAGE

REMARKS: TYPICAL DATA
*15 MIN IN AIR
ASSUME LOAD INERTIA EQUAL TO TWICE ROTOR INERTIA

	DR. BY	D. M. BYRD	A-C MOTOR PERFORMANCE DATA
	CK. BY	Z. M. WOLFE	
	APP. BY	D. M. BYRD	E09838-A-D003 ISSUE DATE 02/19/09
	DATE	02/19/09	

REL. S.O. RPM 1770 S.F. 1.15 ROTOR 418141-30-WE
 FRAME 360TY VOLTS 460 NEMA DESIGN B TEST S.O. TYPICAL DATA
 HP 100 AMPS 116 CODE LETTER G TEST DATE ---
 TYPE P DUTY * ENCLOSURE SUB STATOR RES. @ 25 °C .0880
 PHASE/HERTZ 3/60 AMB °C/INSUL 40/F E/S 492294 OHMS (BETWEEN LINES)



AMPERES SHOWN FOR 460 VOLT CONNECTION, IF OTHER VOLTAGE CONNECTIONS ARE AVAILABLE, THE AMPERES WILL VARY INVERSELY WITH THE RATED VOLTAGE.

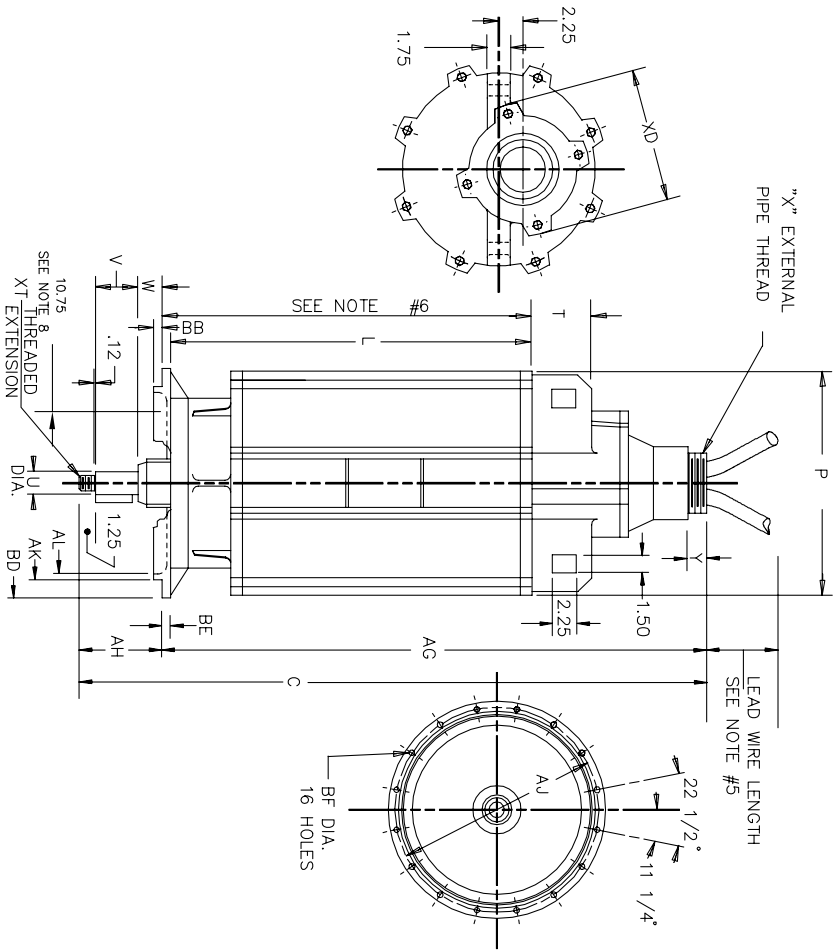


DR. BY D.M.BYRD
 CK. BY Z.M.WOHL
 APP. BY D.M.BYRD
 DATE 02/19/09

A-C MOTOR PERFORMANCE CURVES E09838-A-D003
 ISSUE DATE 02/19/09

066930-060

DUTY MASTER ALTERNATING CURRENT MOTORS
 SQUIRREL-CAGE INDUCTION
 ENCLOSURE: TOTALLY ENCLOSED SUBMERSIBLE
 FRAME 360TY THRU L360TY



1.)

FRAME	C	L	P	T	U (3)	V	W	AG	AH	AU	AK (4)	AL
360TY	47.1	31.25	18.38	4.25	2.4997	3.19	2.12	43.25	6.56	18.75	17.500	15.25
L360TY	49.1	33.25	18.38	4.25	2.4997	3.19	2.12	45.25	6.56	18.75	17.500	15.25

1.)

FRAME	BB	BD (2)	BE	BF	XT	LEAD CONNECTION				B.E. KEY	
						X	Y	XD	SQ.	LGTH.	
360TY	.25	20.25	1.12	.69	1-1/2-13 - 8	1.25	10.88	.50	3.00		
L360TY	.25	20.25	1.12	.69	1-1/2-13 - 8	1.25	10.88	.50	3.00		

- 1.) SPECIAL DIMENSIONS APPLYING TO THIS ORDER ON THIS LINE.
 - 2.) "BP" VARIES +.010.
 - 3.) "U" VARIES +.0000, -.0005.
 - 4.) "AK" VARIES +.000, -.002
 - 5.) LEAD WIRE LENGTH AS SPECIFIED ON SALES ORDER.
 - 6.) MINIMAL SUBMERGED DEPTH.
- FACE RUNOUT AND ECCENTRICITY .008 MAX. T.I.R.
 PROTECTIVE CONDUIT FURNISHED BY CUSTOMER.

090-066990

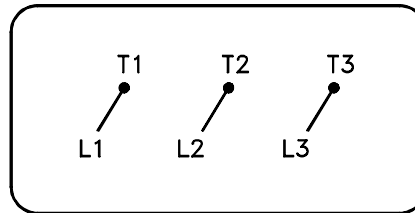
CUSTOMER IS RESPONSIBLE FOR DETERMINING THAT BALDOR'S PRODUCT WILL PERFORM SUITABLY IN THE INTENDED APPLICATION.

REV. DESC: UPDATE NOTES, LOAD TO BUS	VERSION: 00	TDR: 000000921348
REV. LTR: -	REVISED: 09:19:59 04/20/2015	BY: RGGWT
FILE: \RGG\00024\962		
MTL: -		

BALDOR
 DIM SHT 360TY/L360TY SUBMERSIBLE
 SH 1 of 1

416820-036

A-C MOTOR
 CONNECTION DIAGRAM
 STANDARD 3 LEAD CONNECTED



(N.P. 1575-BA)

416820-036

REV. DESC: LOADED TO BUS, C/R 335225		
REV. LTR: -	VERSION: 00	TDR: 000000538207
FILE: \MGA\00000\682	REVISED: 11:54:06 04/30/2010	
MTL: -	BY: RAGRA	

BALDOR

CONN DIAG - STANDARD 3 LEAD
 SH 1 of 1

Marketing maintained PDF of MN414:

<http://www.baldor.com/support/Literature/Load.ashx/MN414?ManNumber=MN414>

