

BALDOR® • RELIANCE 

Product Information Packet

VAOM3527

1HP,850RPM,3PH,60HZ,56C,3546M,TEAO,F1,N

Part Detail							
Revision:	C	Status:	PRD/A	Change #:		Proprietary:	No
Type:	AC	Elec. Spec:	35WGX317	CD Diagram:	CD0005	Mfg Plant:	
Mech. Spec:	35E2256	Layout:	35LYE2256	Poles:	08	Created Date:	10-22-2013
Base:	N	Eff. Date:	06-29-2018	Leads:	9#18		

Specs			
Catalog Number:	VAOM3527	Heater Indicator:	No Heater
Enclosure:	TEAO	Insulation Class:	F
Frame:	56C	Inverter Code:	Not Inverter
Frame Material:	Steel	KVA Code:	G
Output @ Frequency:	1.000 HP @ 60 HZ	Lifting Lugs:	No Lifting Lugs
Synchronous Speed @ Frequency:	900 RPM @ 60 HZ	Locked Bearing Indicator:	Locked Bearing
Voltage @ Frequency:	208.0 V @ 60 HZ	Motor Lead Quantity/Wire Size:	9 @ 18 AWG
	230.0 V @ 60 HZ	Motor Lead Exit:	Terminal Panel
	460.0 V @ 60 HZ	Motor Lead Termination:	None
XP Class and Group:	None	Motor Type:	3546M
XP Division:	Not Applicable	Mounting Arrangement:	F1
Agency Approvals:	UR	Power Factor:	54
	CSA	Product Family:	General Purpose
Auxillary Box:	No Auxillary Box	Pulley End Bearing Type:	Sealed Bearing
Auxillary Box Lead Termination:	None	Pulley Face Code:	C-Face
Base Indicator:	No Mounting	Pulley Shaft Indicator:	Standard
Bearing Grease Type:	Polyrex EM (-20F +300F)	Rodent Screen:	None
Blower:	None	Shaft Extension Location:	Pulley End

Current @ Voltage:	3.200 A @ 460.0 V	Shaft Ground Indicator:	No Shaft Grounding
	6.400 A @ 230.0 V	Shaft Rotation:	Reversible
	6.500 A @ 208.0 V	Shaft Slinger Indicator:	No Slinger
Design Code:	B	Speed Code:	Single Speed
Drip Cover:	No Drip Cover	Motor Standards:	NEMA
Duty Rating:	CONT	Starting Method:	Direct on line
Electrically Isolated Bearing:	Not Electrically Isolated	Thermal Device - Bearing:	NONE (OLD)
Feedback Device:	NO FEEDBACK	Thermal Device - Winding:	None
Front Face Code:	Terminal Panel	Vibration Sensor Indicator:	No Vibration Sensor
Front Shaft Indicator:	None	Winding Thermal 1:	None
		Winding Thermal 2:	None

Nameplate NP1256L										
CAT.NO.	VAOM3527									
SPEC.	35E2256X317G1									
HP	1									
VOLTS	208-230/460									
AMP	6.5-6.4/3.2									
RPM	850									
FRAME	56C				HZ	60			PH	3
SER.F.	1.00			CODE	G	DES	B		CLASS	F
NEMA-NOM-EFF	74			PF	54					
RATING	40C AMB-CONT									
CC									USABLE AT 208V	
DE	6205				ODE	6203				
ENCL	TEAO			SN						

Parts List		
Part Number	Description	Quantity
SA271234	SA 35E2256X317G1	1.000 EA
RA257863	RA 35E2256X317G1	1.000 EA
53XT0832G07	8-32X7/16 PN STD SR TY23G X	1.000 EA
51XT1032A07	10-32X7/16 TY23 HXHD SLTD	2.000 EA
35EP3102B59	FREP ENCL, .50 NPT LEAD HOLE, MACH'D SW	1.000 EA
HW4003A01	T&B PLG-1-RD, 1/2 NPT PLUG ALUM	1.000 EA
HW5100A03	WAVY WASHER (W1543-017)	1.000 EA
35EP3307F00	MASTER DE,205 BRG,.998SH,#26 DRN	1.000 EA
51XN1032A20	10-32 X 1 1/4 HX WS SL SR	2.000 EA
35CB4500SP	TERMINAL BOX LID STAMPED	1.000 EA
35GS1002	GASKET,1/16 THICK LEXIDE	1.000 EA
51XW0832A07	8-32 X .44, TAPTITE II, HEX WSHR SLTD SE	2.000 EA
HW2501D13	KEY, 3/16 SQ X 1.375	1.000 EA
HA7000A04	KEY RETAINER 0.625 DIA SHAFTS	1.000 EA
85XU0407S04	4X1/4 U DRIVE PIN STAINLESS	2.000 EA
MJ1000A02	GREASE, POLYREX EM EXXON (USe 4824-15A)	0.050 LB
WD1000A16	2-520128-2 AMP FLAG TERMINAL(4M/RL)	9.000 EA
MG1000G27	MED CHARCOAL METALLIC GREY 400-0096	0.017 GA
HA3100A24	THRUBOLT 10-32 X 10.625	4.000 EA
SP5079A01	MODEL 35 3PH TERM PANEL CONN 9LD DUAL VO	1.000 EA
LC0005E01	CONN.DIA./WARNING LABEL (LC0005/LB1119N)	1.000 EA
NP1256L	ALUM UL CSA CC INDUSTRIAL MOTOR A60	1.000 EA
36PA1000	PKG GRP, PRINT PK1016A06	1.000 EA
PK3082	STYROFOAM CRADLE	1.000 EA

Parts List (continued)		
Part Number	Description	Quantity
MN416A01	TAG-INSTAL-MAINT no wire (1200/bx) 5/18	1.000 EA
PE-0000001	ZRTG PE ASSEMBLY	1.000 EA

AC Induction Motor Performance Data

Record # 50319 - Typical performance - not guaranteed values

Winding: 35WGX317-R013	Type: 3546M	Enclosure: TEAO
-------------------------------	--------------------	------------------------

Nameplate Data				460 V, 60 Hz: High Voltage Connection	
Rated Output (HP)	1			Full Load Torque	6.1 LB-FT
Volts	208-230/460			Start Configuration	direct on line
Full Load Amps	6.5-6.4/3.2			Breakdown Torque	19.8 LB-FT
R.P.M.	850			Pull-up Torque	14 LB-FT
Hz	60	Phase	3	Locked-rotor Torque	14.8 LB-FT
NEMA Design Code	B	KVA Code	G	Starting Current	10.7 A
Service Factor (S.F.)	1			No-load Current	1.91 A
NEMA Nom. Eff.	74	Power Factor	54	Line-line Res. @ 25°C	16.7 Ω
Rating - Duty	40C AMB-CONT			Temp. Rise @ Rated Load	
				Locked-rotor Power Factor	58
				Rotor inertia	0.273 LB-FT ²

Load Characteristics 460 V, 60 Hz, 1 HP

% of Rated Load	25	50	75	100	125	150
Power Factor	24	37	46	56	62	68
Efficiency	53.7	67	71.9	73.4	73.4	73.3
Speed	891	882	875	865	855	844
Line amperes	1.95	2.05	2.16	2.35	2.6	2.83

Performance Graph at 460V, 60Hz, 1.0HP Typical performance - Not guaranteed values

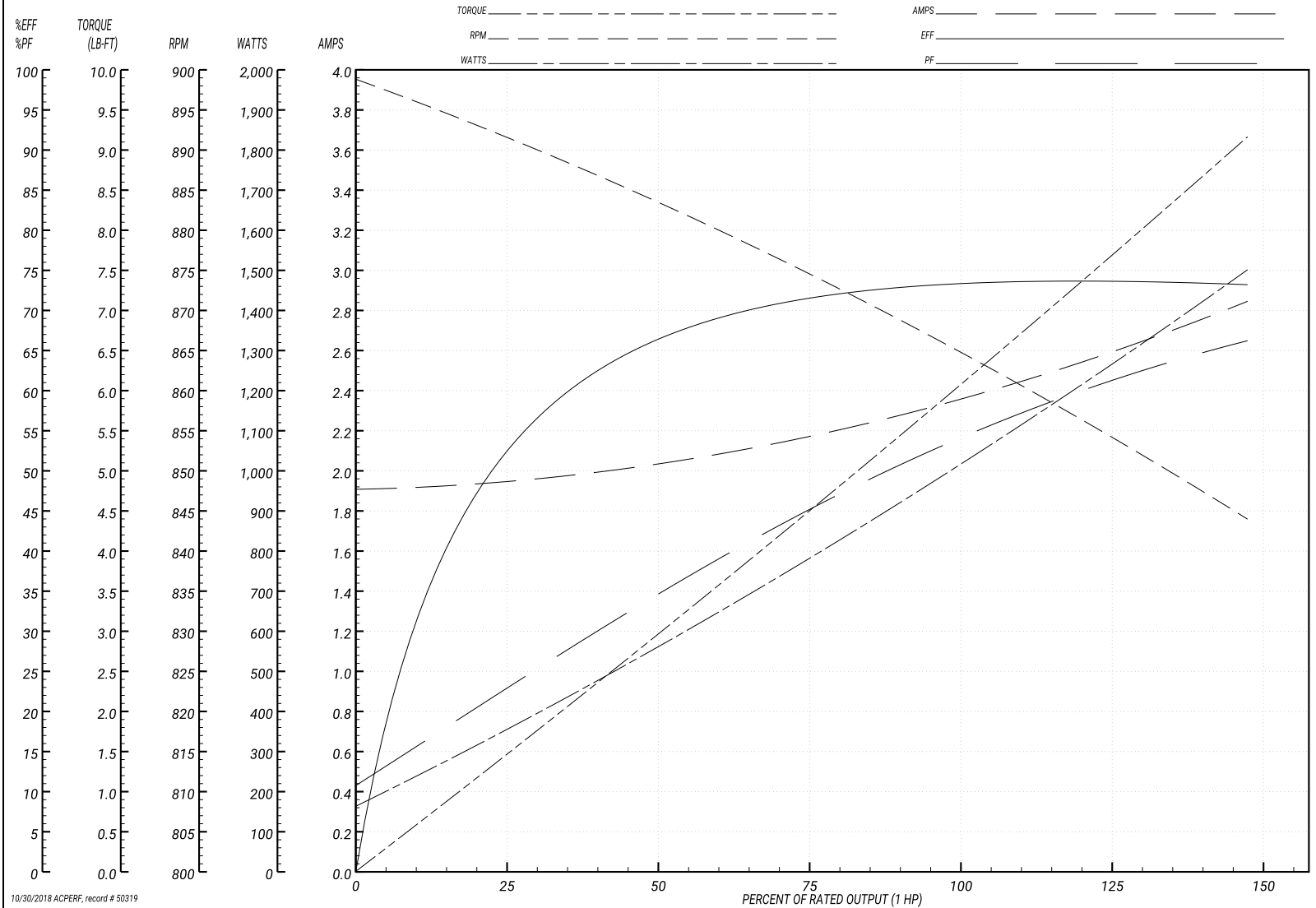
BALDOR ELECTRIC COMPANY

WINDING # 35WGx317

Typical performance - not guaranteed values.

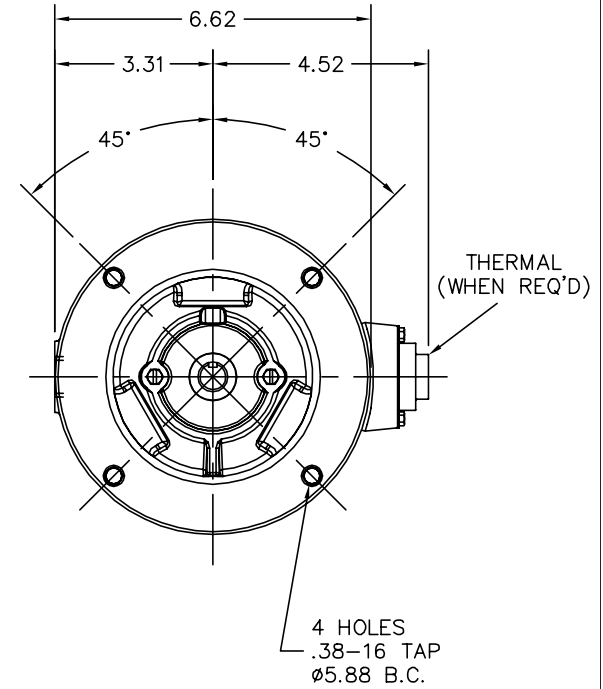
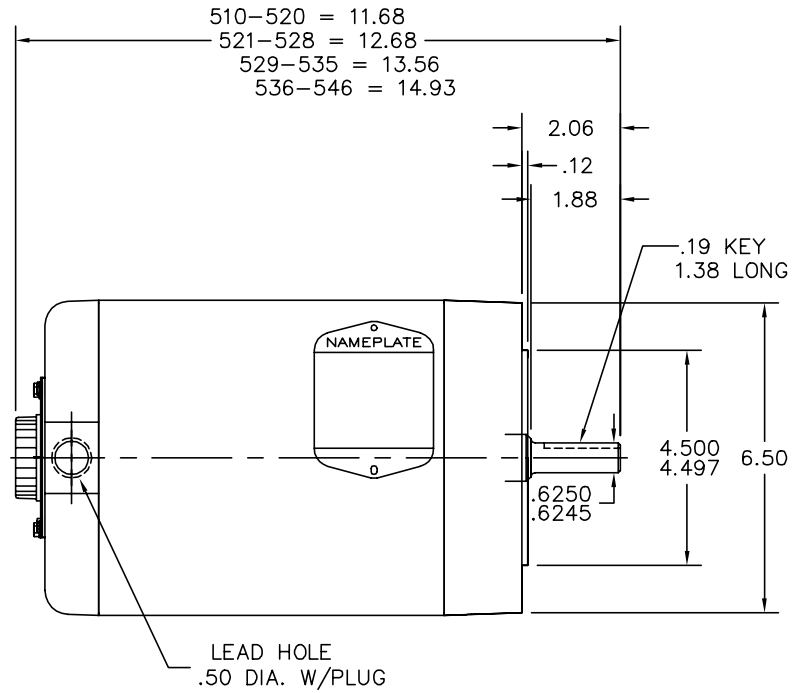
1 HP 3 PH 60 HZ 850 RPM 460 V 3546M

TORQUES(LB-FT): PO=19.8 PU=14 LR=14.8 LRA=10.7



10/30/2018 ACPERF, record # 50319

35LYE2256



CUSTOMER IS RESPONSIBLE FOR DETERMINING THAT BALDOR'S PRODUCT WILL PERFORM SUITABLY IN THE INTENDED APPLICATION.

REV. DESC: UPDATE ENDPLATES AND NOTES		
REV. LTR: A	VERSION: 01	TDR: 000001076815
FILE: \AAA\00204\390	REVISED: 03: 38: 27 07/02/2018	BY: FGCHAH1
MTL: -	☉ □	

BALDOR - RELIANCE®

VER 56C TEAO M W/TERM PANEL QUICK CONN.(SP5079)

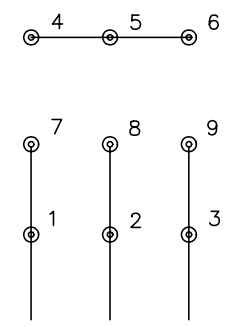
SH 1 of 1

35LYE2256

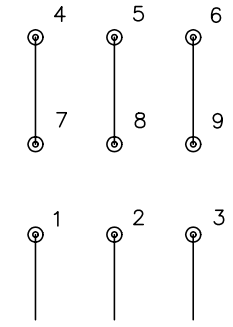
CD0005



LOW VOLTAGE
(2Y)



HIGH VOLTAGE
(1Y)



NOTES:

1. INTERCHANGE ANY TWO LINE LEADS TO REVERSE ROTATION.
2. OPTIONAL THERMOSTATS ARE PROVIDED WHEN SPECIFIED.
3. ACTUAL NUMBER OF INTERNAL PARALLEL CIRCUITS MAY BE A MULTIPLE OF THOSE SHOWN ABOVE.
4. LEAD COLORS ARE OPTIONAL. LEADS MUST ALWAYS BE NUMBERED AS SHOWN.

REV. DESC: REVISE TO SHOW OPTIONAL COLORS			
REV. LTR: E	BY: JLP	REVISED: 01/19/99 10:15	TDR: 0171435
90000		FILE: AAA00005140	MDL: -
		MTL: -	

BALDOR ELECTRIC Co.

3PH, DV, 9 LEADS

CD0005