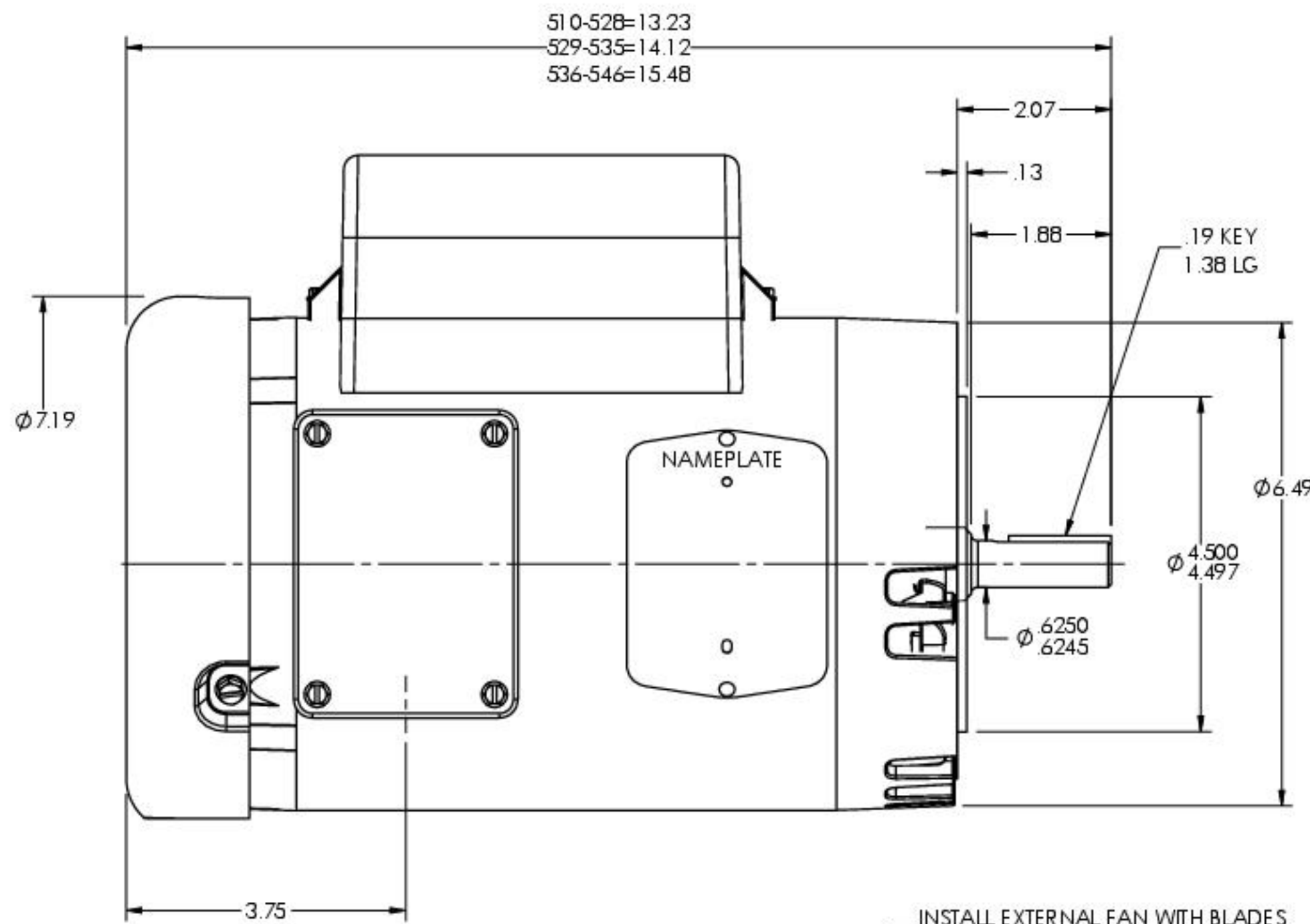
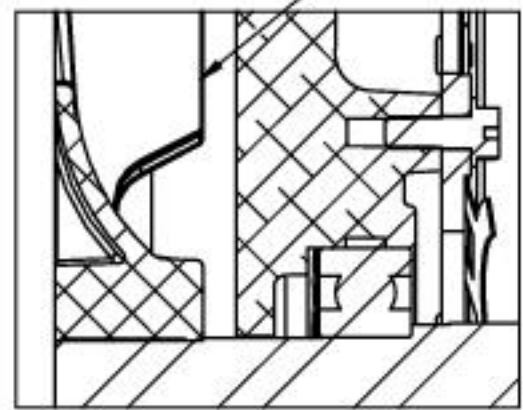


35LYE019

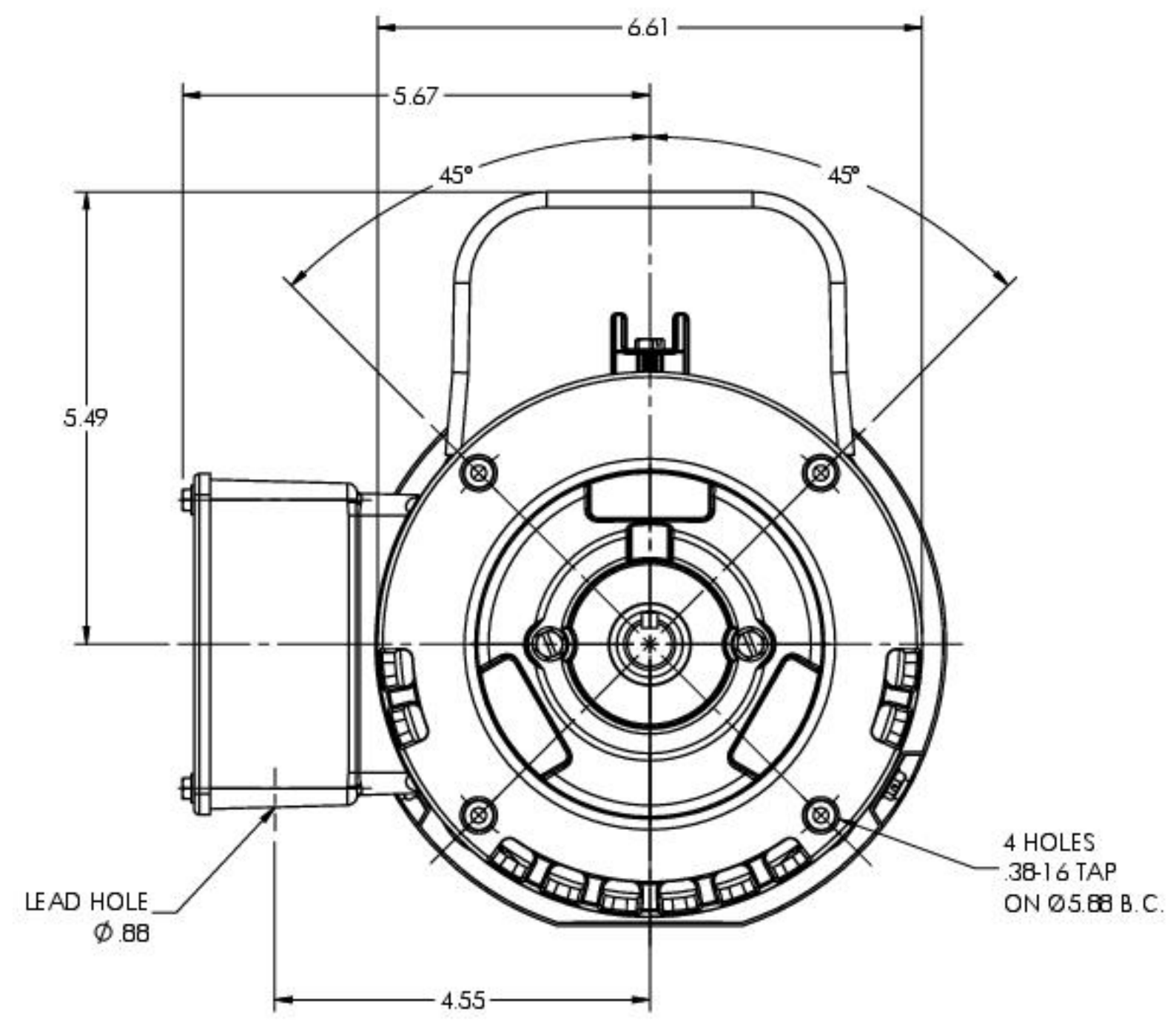
D
C
B
A



INSTALL EXTERNAL FAN WITH BLADES TO WARDS FRONT ENDPLATE



FRONT END DETAIL



D
C
B
A

35LYE019

CUSTOMER IS RESPONSIBLE FOR DETERMINING THAT THE PRODUCT WILL PERFORM SUITABLY IN THE INTENDED APPLICATION

REV. DESC: UPDATE 3D MODEL BOM PER REV AF, NO CHG TO 2D PRINT			
REV: S	VERSION: 06	REVISED: 03:10:23 04/06/2022	TDR: 000001188385
MODEL NO. 35LYE019		REF: -	
BY: USBUFRA		B	

BALDOR - RELIANCE®

STD VERT 56C ODTF 35LC
SH 1 of 1

8 7 6 5 4 3 2 1