

BALDOR® • RELIANCE 

Product Information Packet

VEM2534T

30HP,3530RPM,3PH,60HZ,284TSC,4040M,OPEN

Part Detail							
Revision:	H	Status:	PRD/A	Change #:		Proprietary:	No
Type:	AC	Elec. Spec:	40WGX193	CD Diagram:	CD0180	Mfg Plant:	
Mech. Spec:	40E101	Layout:	40LYE101	Poles:	02	Created Date:	05-01-2015
Base:	N	Eff. Date:	09-07-2017	Leads:	9#8		

Specs			
Catalog Number:	VEM2534T	Insulation Class:	F
Enclosure:	OPEN	Inverter Code:	Inverter Ready
Frame:	284TSC	KVA Code:	H
Frame Material:	Steel	Lifting Lugs:	Standard Lifting Lugs
Output @ Frequency:	30.000 HP @ 60 HZ	Locked Bearing Indicator:	Locked Bearing
Synchronous Speed @ Frequency:	3600 RPM @ 60 HZ	Motor Lead Quantity/Wire Size:	9 @ 8 AWG
Voltage @ Frequency:	460.0 V @ 60 HZ	Motor Lead Exit:	Ko Box
	230.0 V @ 60 HZ	Motor Lead Termination:	Flying Leads
	208.0 V @ 60 HZ	Motor Type:	4040M
Agency Approvals:	CSA	Mounting Arrangement:	F1
	CSA EEV	Power Factor:	87
	UR	Product Family:	General Purpose
Auxillary Box:	No Auxillary Box	Pulley End Bearing Type:	Ball
Auxillary Box Lead Termination:	None	Pulley Face Code:	C-Face
Base Indicator:	No Mounting	Pulley Shaft Indicator:	Standard
Bearing Grease Type:	Polyrex EM (-20F +300F)	Rodent Screen:	None
Blower:	None	Shaft Extension Location:	Pulley End
Current @ Voltage:	76.000 A @ 208.0 V	Shaft Ground Indicator:	No Shaft Grounding

	70.000 A @ 230.0 V	Shaft Rotation:	Reversible
	35.000 A @ 460.0 V	Shaft Slinger Indicator:	No Slinger
Design Code:	A	Speed Code:	Single Speed
Drip Cover:	Drip Cover	Motor Standards:	NEMA
Duty Rating:	CONT	Starting Method:	Direct on line
Electrically Isolated Bearing:	Not Electrically Isolated	Thermal Device - Bearing:	NONE (OLD)
Feedback Device:	NO FEEDBACK	Thermal Device - Winding:	None
Front Face Code:	Drip Cover Mounting	Vibration Sensor Indicator:	No Vibration Sensor
Front Shaft Indicator:	None	Winding Thermal 1:	None
Heater Indicator:	No Heater	Winding Thermal 2:	None

Nameplate NP3554LUA											
CAT.NO.	VEM2534T			P/N				ENCL	OPEN		
SPEC.	40E101X193G1		CC	010A		FRAME	284TSC		SER.NO.		
HP	30		CLASS	F		HZ	60				
RPM	3530		PH	3		DES	A				
VOLTS	208-230/460			CODE	H		ODE BRG	6309		DE BRG	6312
AMPS	76-70/35			USABLE AT 208V							
RATING	40C AMB-CONT			NEMA-NOM-EFF	91.7		GREASE	POLYREX EM			
PF	87		SER.F.	1.15		VPWM INVERTER READY					
USABLE AT	50Hz 30Hp 190/380V 84/42A				SF	1.0					
HTR-VOLTS			HTR-AMPS			MAX. SPACE HEATER TEMP.					

Parts List		
Part Number	Description	Quantity
SA300120	SA 40E101X193G1	1.000 EA
RA287166	RA 40E101X193G1	1.000 EA
HA6017A01	CAST ADAPTOR	1.000 EA
19XW3118A12	.31-18 X .75 HEX WASHER HEAD TAPTITE II	2.000 EA
HW1001A31	LOCKWASHER 5/16, ZINC PLT.591 OD, .319 I	2.000 EA
WD1000B25	GND LUG, BURNDY L125HP OR T&B L125HP-BB	1.000 EA
19XW3118G08	.31-18X.50,HEX WSHR HD,TAPTITE 2,GREEN	1.000 EA
10CB3000SP	STD KO BOX MODEL 310,312,314 MTRS W/2.00	1.000 EA
19XW3118A12	.31-18 X .75 HEX WASHER HEAD TAPTITE II	4.000 EA
HW1001A31	LOCKWASHER 5/16, ZINC PLT.591 OD, .319 I	4.000 EA
40EP3200A01	STD FREP OPEN 309 BRG W/DRIP COVER	1.000 EA
40AD2002A01	LEXAN BAFFLE 40 FR OPEN	1.000 EA
HW5100A11	W3917-042 WVY WSHR (WB)	1.000 EA
10XN3118K40	5/16-18 X 2.50" HEX HD, GRADE 5	4.000 EA
HW1001A31	LOCKWASHER 5/16, ZINC PLT.591 OD, .319 I	4.000 EA
40EP1402A02	FREP, MACH OPEN 284-6 W/312 BRG	1.000 EA
HA3154A06	THRUBOLT STUD 3/8-16 X 19.500	4.000 EA
HW1001A38	LOCKWASHER 3/8, ZINC PLT .688 OD, .382 I	8.000 EA
XY3816A12	3/8-16 FINISHED NUT	8.000 EA
40FH2500A01	SP'L DRIP COVER MODEL 40- OPEN	1.000 EA
10XN2520K12	1/4-20 X.75 GRD 5	2.000 EA
HW1001A25	LOCKWASHER 1/4, ZINC PLT .493 OD, .255 I	2.000 EA
10CB3500SP	CONDUIT BOX LID, CAST	1.000 EA
51XW2520A12	.25-20 X .75, TAPTITE II, HEX WSHR SLTD	4.000 EA

Parts List (continued)		
Part Number	Description	Quantity
HW2501G17	KEY, 3/8 SQ X 1.875	1.000 EA
LB1115N	LABEL,LIFTING DEVICE (ON ROLLS)	1.000 EA
HW4500A03	GREASE FITTING, .125 NPT 1610(ALEMITE) 8	1.000 EA
HA4051A00	PLASTIC CAP FOR GREASE FITTING	1.000 EA
HW4500A20	1/8NPT SL PIPE PLUG	1.000 EA
MJ1000A02	GREASE, POLYREX EM EXXON (USe 4824-15A)	0.050 LB
HW4500A03	GREASE FITTING, .125 NPT 1610(ALEMITE) 8	1.000 EA
HA4051A00	PLASTIC CAP FOR GREASE FITTING	1.000 EA
HW4500A20	1/8NPT SL PIPE PLUG	1.000 EA
MG1000Y03	MUNSELL 2.53Y 6.70/ 4.60, GLOSS 20,	0.070 GA
85XU0407S04	4X1/4 U DRIVE PIN STAINLESS	4.000 EA
LB1119N	WARNING LABEL	1.000 EA
LC0181	CONNECTION LABEL	1.000 EA
NP3554LUA	SS SUPER-E VPWM INV READY UL CSA-EEV PRE	1.000 EA
40PA1000	PACKAGING GROUP	1.000 EA
MN416A01	TAG-INSTAL-MAINT no wire (1200/bx) 5/18	1.000 EA

AC Induction Motor Performance Data

Record # 33084 - Typical performance - not guaranteed values

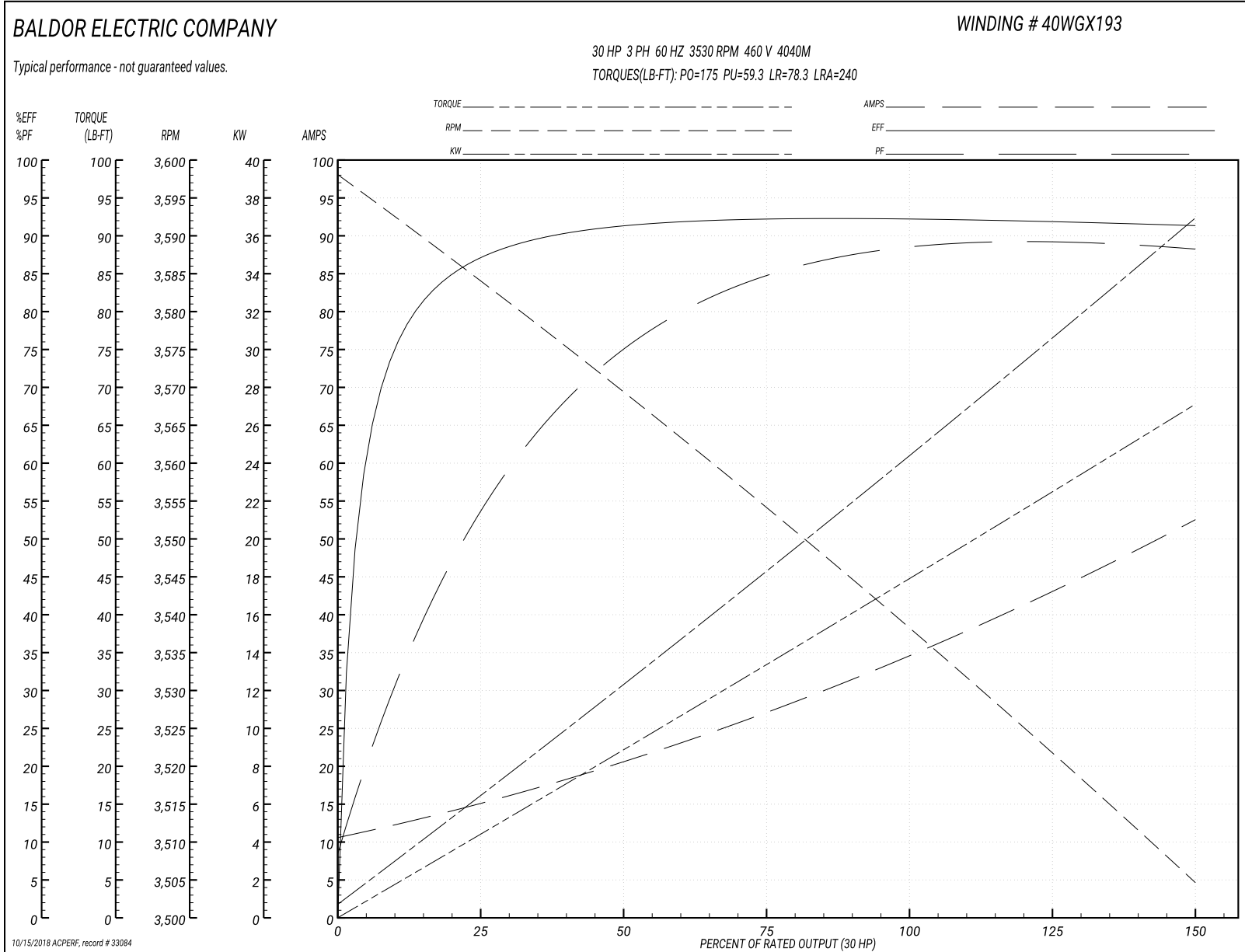
Winding: 40WGX193-R001	Type: 4040M	Enclosure: OPSB
-------------------------------	--------------------	------------------------

Nameplate Data				460 V, 60 Hz: High Voltage Connection	
Rated Output (HP)	30			Full Load Torque	44.7 LB-FT
Volts	208-230/460			Start Configuration	direct on line
Full Load Amps	76-70/35			Breakdown Torque	175 LB-FT
R.P.M.	3530			Pull-up Torque	59.3 LB-FT
Hz	60	Phase	3	Locked-rotor Torque	78.3 LB-FT
NEMA Design Code	A	KVA Code	H	Starting Current	240 A
Service Factor (S.F.)	1.15			No-load Current	11.2 A
NEMA Nom. Eff.	91.7	Power Factor	0	Line-line Res. @ 25°C	0.21802 Ω
Rating - Duty	40C AMB-CONT			Temp. Rise @ Rated Load	23°C
S.F. Amps				Temp. Rise @ S.F. Load	28°C
				Locked-rotor Power Factor	24
				Rotor inertia	1.72 LB-FT ²

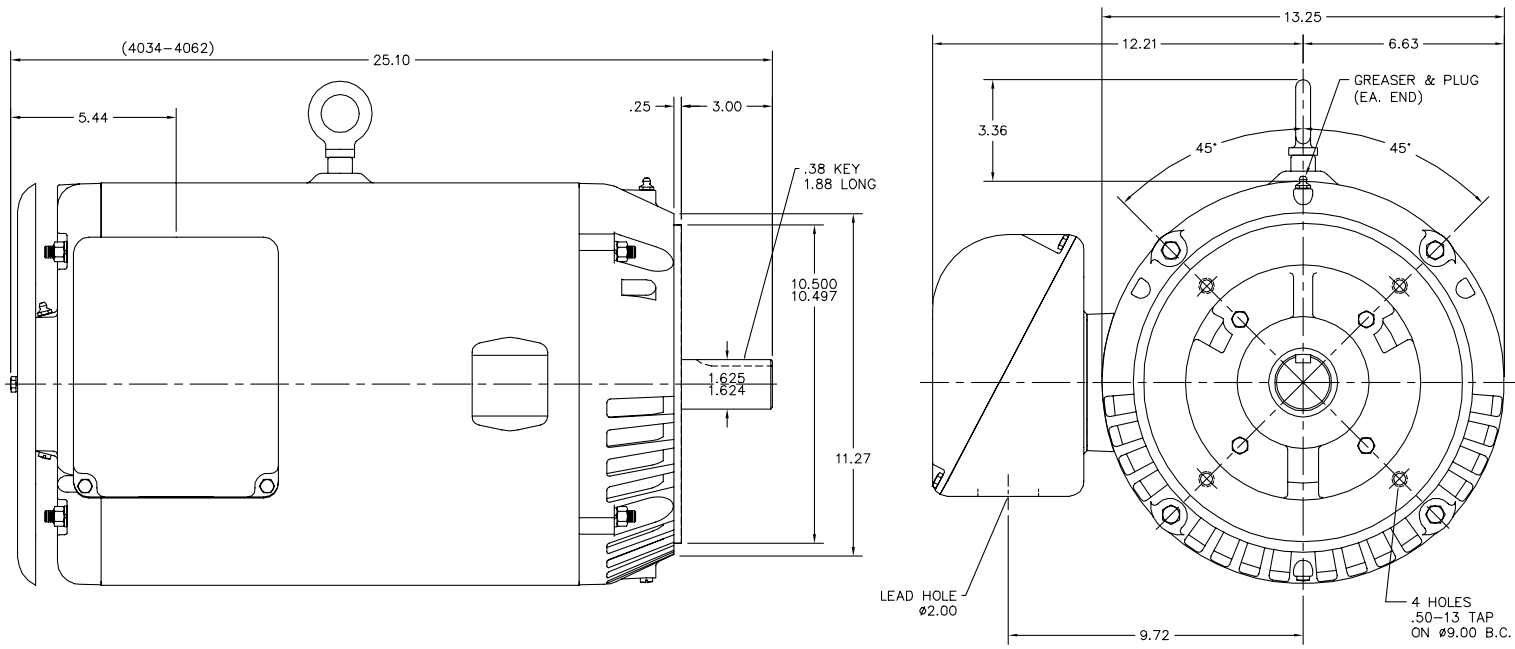
Load Characteristics 460 V, 60 Hz, 30 HP

% of Rated Load	25	50	75	100	125	150	S.F.
Power Factor	58	77	84	87	88	89	88
Efficiency	89.3	92.8	93.4	93.2	92.6	91.8	92.8
Speed	3582.7	3568.7	3554.6	3538.7	3522.3	3504.1	3529
Line amperes	14.4	20.3	27.2	35.1	43.4	52.1	40.1

Performance Graph at 460V, 60Hz, 30.0HP Typical performance - Not guaranteed values



40LYE101



40LYE101

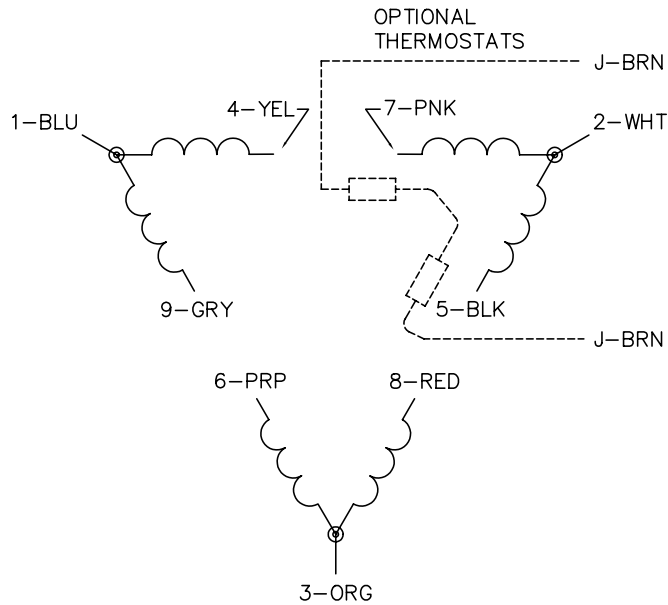
CUSTOMER IS RESPONSIBLE FOR DETERMINING THAT BALDOR'S PRODUCT WILL PERFORM SUITABLY IN THE INTENDED APPLICATION.

REV. DESC: FREEZED LAYERS		
REV. LTR: A	VERSION: 01	TDR: 00000922139
FILE: \AAA\00127\552	REVISED: 04:12:14 04/30/2015	BY: ENNINDO
MTL: -		

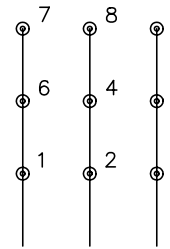
BALDOR

VERT OPEN 284-6TSC W/40AD2002A01 & DRIP COVER
SH 1 of 1

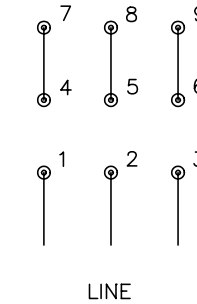
CD0180



LOW VOLTAGE
(2D)



HIGH VOLTAGE
(1D)



NOTES:

1. INTERCHANGE ANY TWO LINE LEADS TO REVERSE ROTATION.
2. OPTIONAL THERMOSTATS ARE PROVIDED WHEN SPECIFIED.
3. ACTUAL NUMBER OF INTERNAL PARALLEL CIRCUITS MAY BE A MULTIPLE OF THOSE SHOWN ABOVE.
4. LEAD COLORS ARE OPTIONAL. LEADS MUST ALWAYS BE NUMBERED AS SHOWN.

REV. DESC: REVISE TO SHOW OPTIONAL COLORS

REV. LTR: C BY: JLP

REVISED: 01/21/99 2:28

TDR: 0171435

0810D0

FILE: AAA00005148

MDL: -

MTL: -

BALDOR ELECTRIC Co.

3PH, DV, 9 LEADS, DELTA CONNECTION

CD0180

Marketing maintained PDF of MN416:

<http://www.baldor.com/support/Literature/Load.ashx/MN416?ManNumber=MN416>