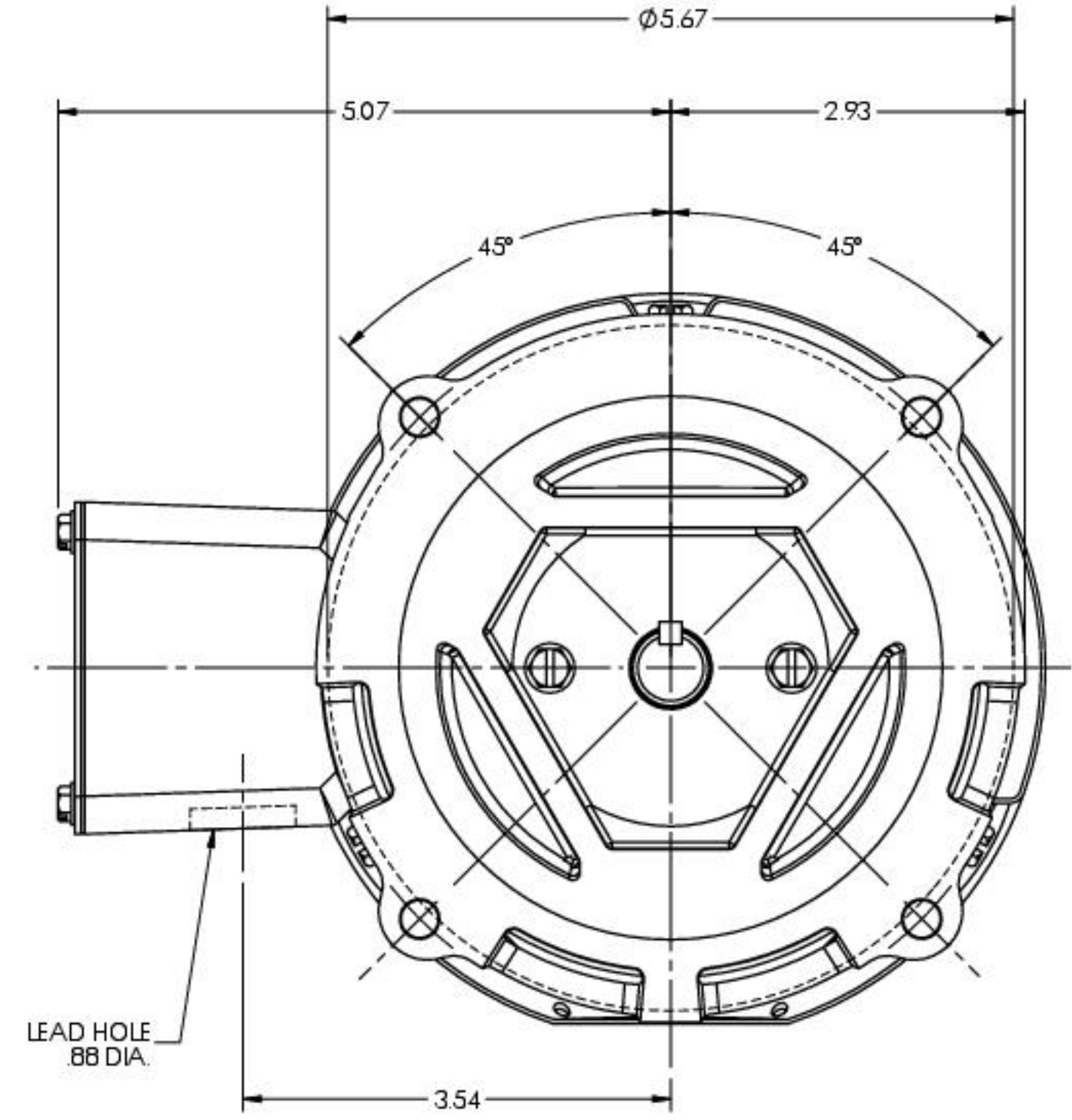
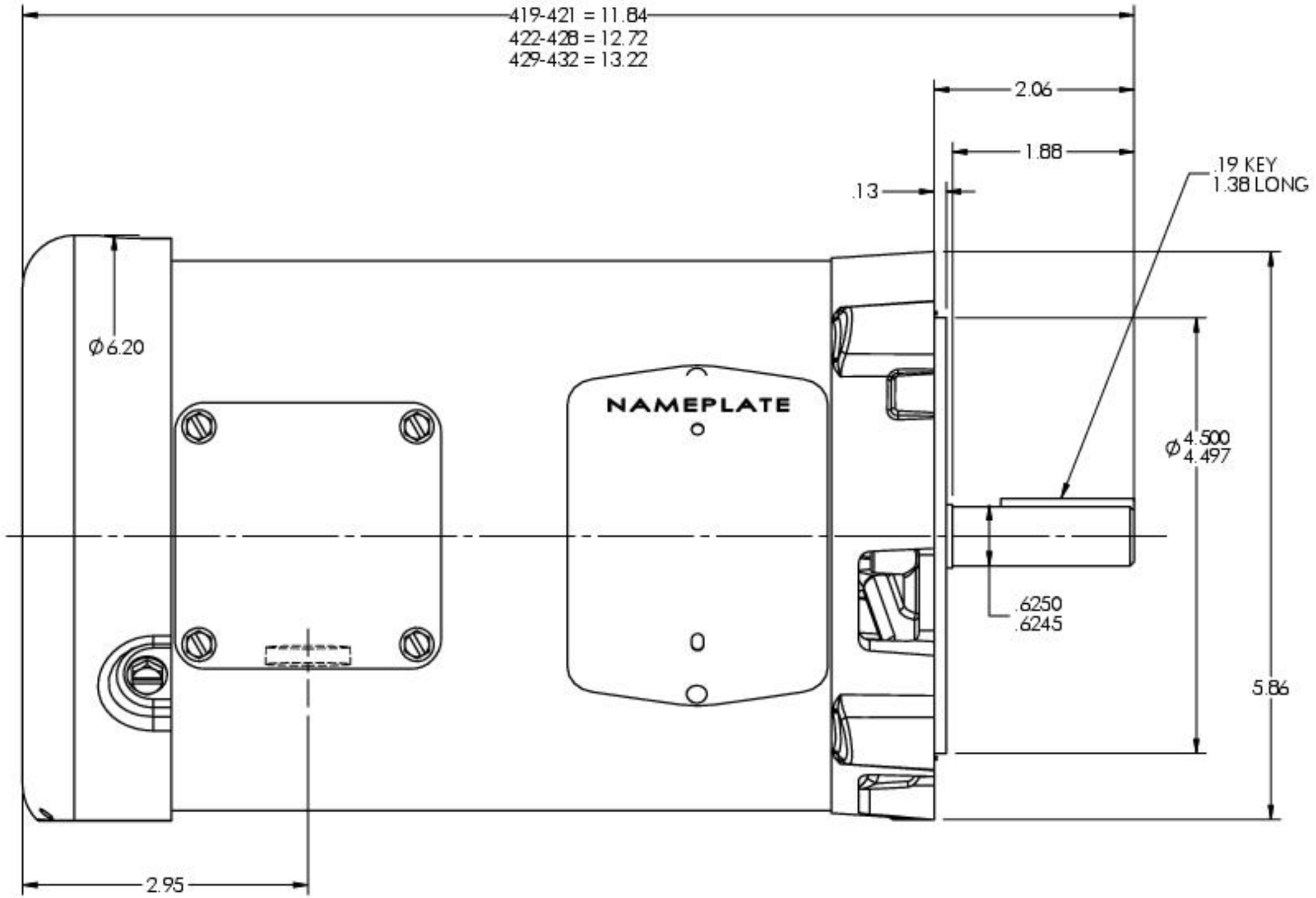


34LYF012

408-416 = 11.22
417-418 = 11.47
419-421 = 11.84
422-428 = 12.72
429-432 = 13.22



CUSTOMER IS RESPONSIBLE FOR DETERMINING THAT BALDOR'S PRODUCT WILL PERFORM SUITABLY IN THE INTENDED APPLICATION

REV. DESC: CONVERT DRW FROM AUTOCAD TO SWD			
REV: J	VERSION: 04	REVISED: 09:19:53 11/09/2023	TDR: 000001218972
MODEL NO. 34LYF012			REF: -
BY: USALMAZ			B

BALDOR
STD VERT MODEL 34M NEMA 56C OPEN WDRIP COVER

34LYF012