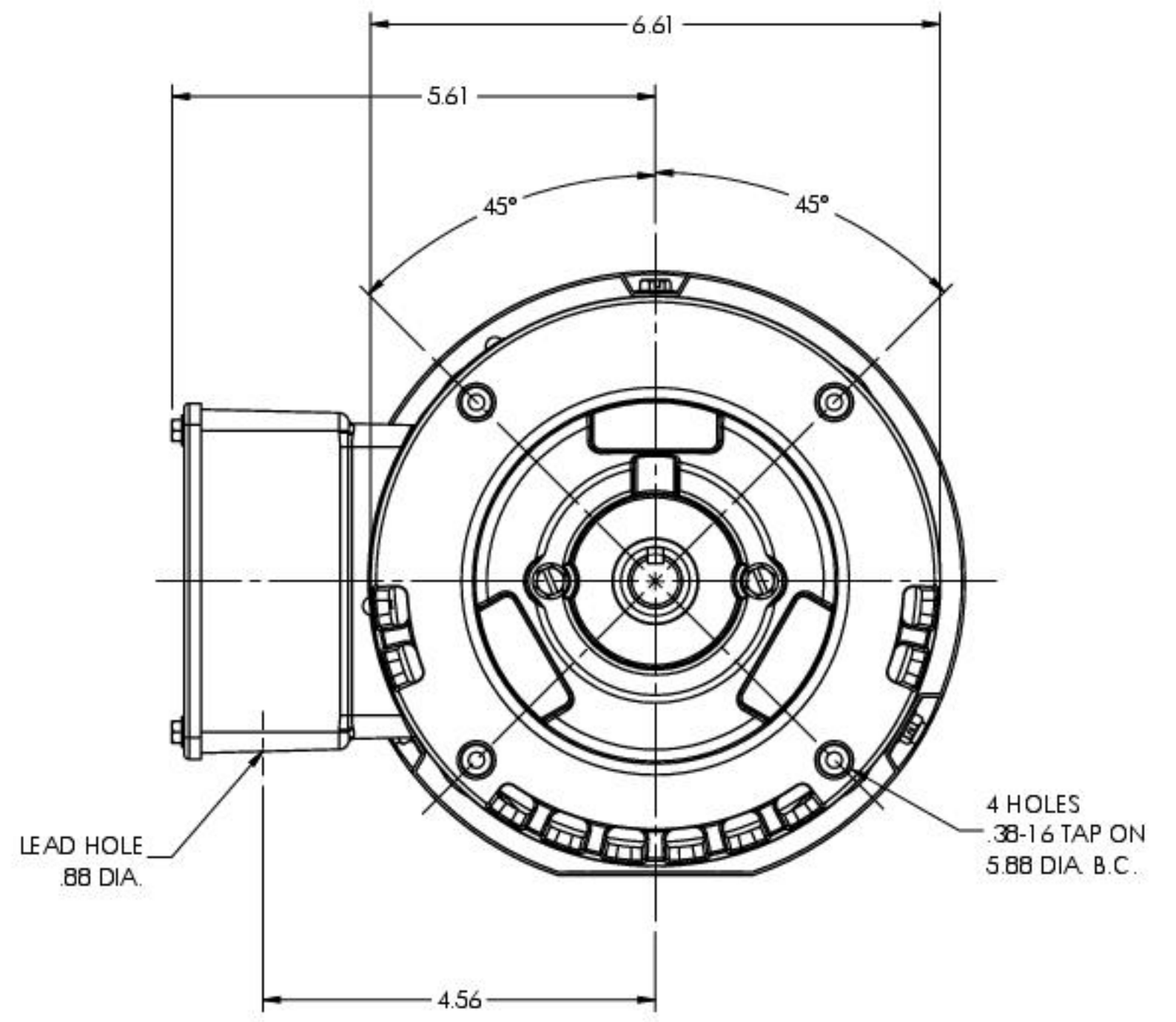
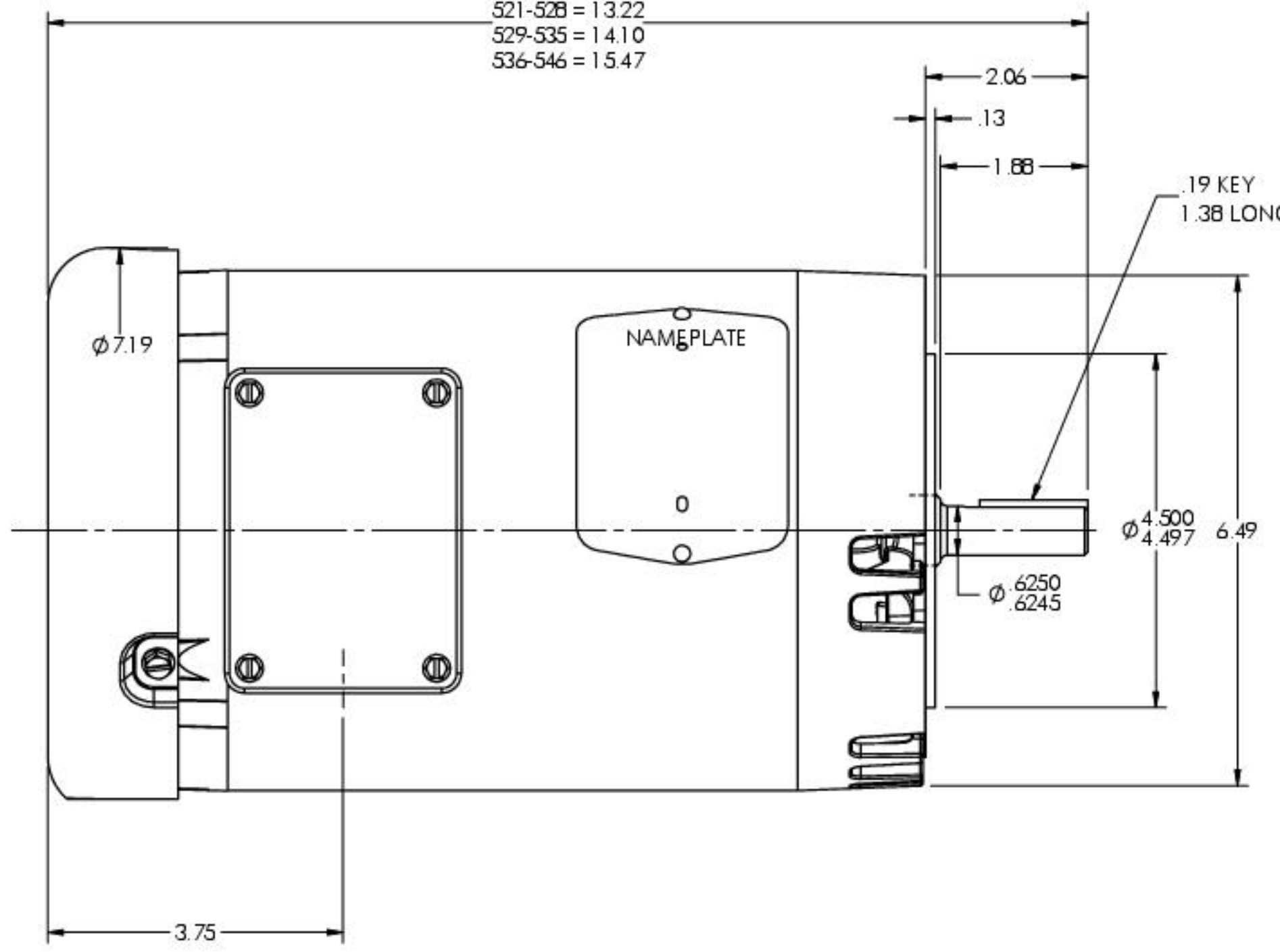


35LYE4017

510-520 = 12.22
521-528 = 13.22
529-535 = 14.10
536-546 = 15.47



CUSTOMER IS RESPONSIBLE FOR DETERMINING THAT BALDOR'S PRODUCT WILL PERFORM SUITABLY IN THE INTENDED APPLICATION.

REV. DESC: UPDATE 3D MODEL BOM PER REV D, NO CHG TO 2D PRINT			
REV: E	VERSION: 05	REVISED: 03:38:17 03/10/2022	TDR: 000001187335
MODEL NO: 35LYE4017			REF: -
BY: USBUFRA	Material: -		

BALDOR - RELIANCE®

S'TD VERT 56C OPEN 35M W/ DRIPCOVER (NO EXT FAN)
SH 1 of 1

35LYE4017