



Customer information packet

VEM3665T-5

5HP, 1750RPM, 3PH, 60HZ, 184TC, 0641M, TEFC, F1

Class - None

Division - Not Applicable

Specifications

Enclosure	TEFC
Frame	184TC
Frame Material	Iron
Frequency	60.00 Hz
Haz Area Class and Group	None
Haz Area Division	Not Applicable
Motor Letter Type	Three Phase
Output @ Frequency	5.000 HP @ 60 HZ
Phase	3
Synchronous Speed @ Frequency	1800 RPM @ 60 HZ
Voltage @ Frequency	575.0 V @ 60 HZ
Agency Approvals	CSA EEV CURUSEEV NEMA PREMIUM NEMA_PREMIUM UR
Ambient Temperature	40 °C
Auxillary Box	No Auxillary Box
Auxillary Box Lead Termination	None
Base Indicator	No Mounting
Bearing Grease Type	Polyrex EM (-20F +300F)
Blower	None
Current @ Voltage	5.300 A @ 575.0 V
Design Code	B
Drip Cover	No Drip Cover
Duty Rating	CONT
Efficiency @ 100% Load	89.5 %
Electrically Isolated Bearing	Not Electrically Isolated
Feedback Device	NO FEEDBACK
Front Face Code	Standard
Front Shaft Indicator	None
Heater Indicator	No Heater

Part detail

Revision	N
Type	AC
Mech. spec.	06H016
Base	
Status	PRD/A
Elec. spec.	06WGX200
Layout	06LYH016
Eff. date	01-29-2025
CD Diagram	CD0006
Poles	04
Leads	3#16
Proprietary	False
Created date	08-04-2010

High Voltage Full Load Amps	5.3 a
Insulation Class	F
Inverter Code	Inverter Ready
KVA Code	J
Lifting Lugs	Standard Lifting Lugs
Locked Bearing Indicator	Locked Bearing
Motor Lead Exit	Ko Box
Motor Lead Quantity/Wire Size	3 @ 16 AWG
Motor Lead Termination	Flying Leads
Motor Standards	NEMA
Motor Type	0642M
Mounting Arrangement	F1
Number of Poles	4
Overall Length	15.98 IN
Power Factor	79
Product Family	General Purpose
Pulley End Bearing Type	Ball
Pulley Face Code	C-Face
Pulley Shaft Indicator	Standard
Rodent Screen	None
RoHS Status	ROHS COMPLIANT
Service Factor	1.15
Shaft Diameter	1.125 IN
Shaft Extension Location	Pulley End
Shaft Ground Indicator	No Shaft Grounding
Shaft Rotation	Reversible
Shaft Slinger Indicator	No Slinger
Speed	1750 rpm
Speed Code	Single Speed
Starting Method	Direct on line
Thermal Device - Bearing	None
Thermal Device - Winding	None
Vibration Sensor Indicator	No Vibration Sensor
Winding Thermal 1	None

Winding Thermal 2

None

Nameplate

NP3441L									
CAT.NO.	VEM3665T-5								
SPEC.	06H016X200G1								
HP	5								
VOLTS	575								
AMP	5.3								
RPM	1750								
FRAME	184TC		HZ	60		PH	3		
SER.F.	1.15	CODE	J	DES	B	CL	F		
NEMA-NOM-EFF	89.5	PF	79						
RATING	40C AMB-CONT								
CC	010A								
DE	6206		ODE	6205					
ENCL	TEFC	SN							
VPWM INVERTER READY									
CT6-60H(10:1)VT3-60H(20:1									
	SFA 5.8								

AC Induction Motor Performance Data

Record # 81830

Typical performance - not guaranteed values

Winding: 06WGX200-R001		Type: 0642M		Enclosure: TEFC	
Nameplate Data			575 V, 60 Hz: Single Voltage Motor		
Rated Output (HP)	5	Full Load Torque	15.03 LB-FT		
Volts	575	Start Configuration	direct on line		
Full Load Amps	5.3	Breakdown Torque	52.33 LB-FT		
R.P.M.	1750	Pull-up Torque	21.64 LB-FT		
Hz	60 Phase	Locked-rotor Torque	30.73 LB-FT		
NEMA Design Code	B KVA Code	Starting Current	36.26 A		
Service Factor (S.F.)	1.15	No-load Current	2.34 A		
NEMA Nom. Eff.	89.5 Power Factor	Line-line Res. @ 25°C	4.27 Ω		
Rating - Duty	40C AMB-CONT	Temp. Rise @ Rated Load	54°C		
S.F. Amps		Temp. Rise @ S.F. Load	67°C		
		Locked-rotor Power Factor	40.6		
		Rotor inertia	0.391 lb-ft ²		

Load Characteristics 575 V, 60 Hz, 5 HP

% of Rated Load	25	50	75	100	125	150	S.F.
Power Factor	42	64	76	81	84	85	83
Efficiency	85.2	89.8	90.3	89.6	88.2	86.6	88.8
Speed	1788	1777	1764	1751	1736	1719	1742
Line amperes	2.61	3.26	4.13	5.14	6.31	7.59	5.84

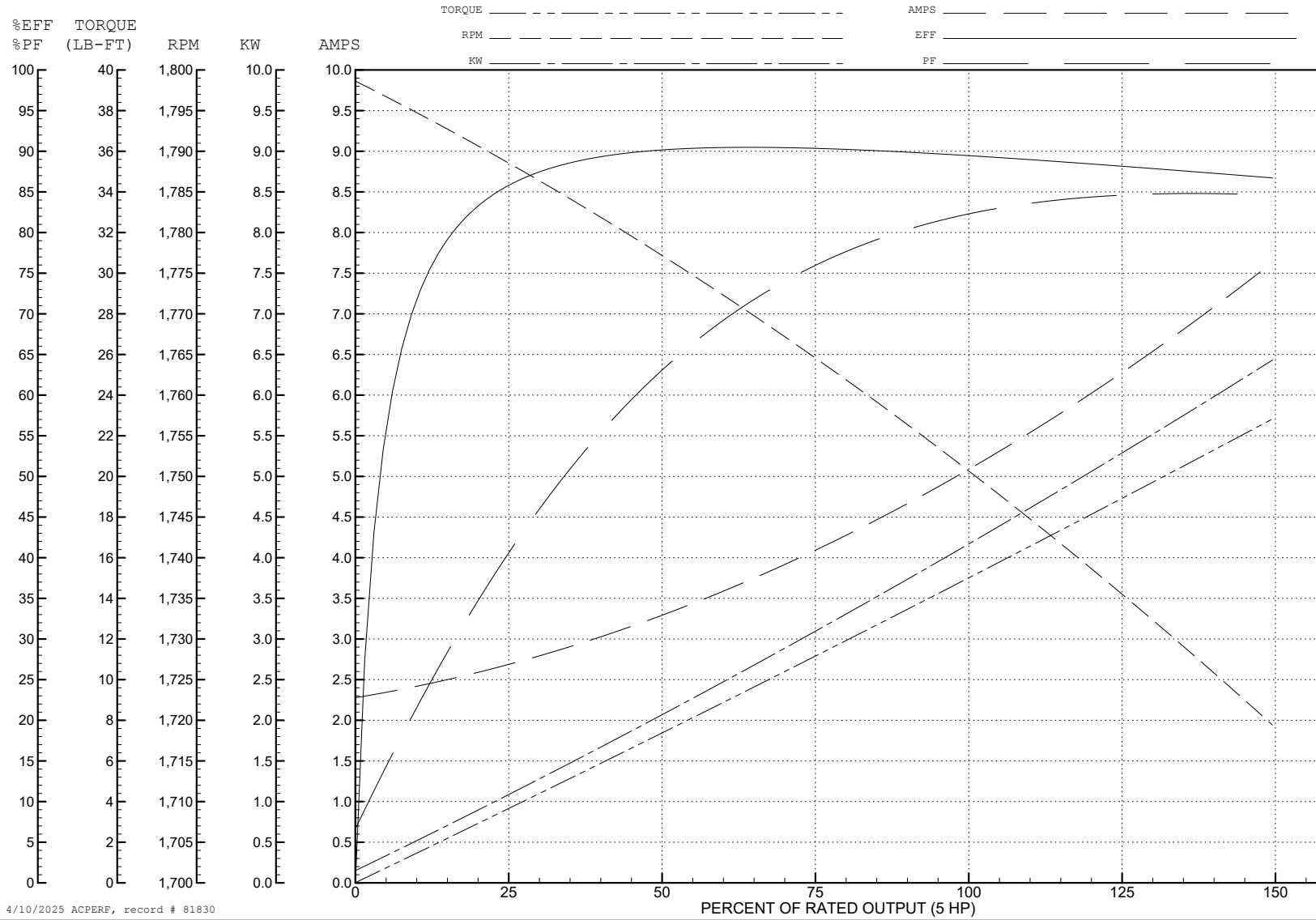
ABB Motors and Mechanical Inc.

WINDING # 06WGX200

5 HP 3 PH 60 HZ 1750 RPM 575 V 0642M

Typical performance - not guaranteed values.

TORQUES (LB-FT): PO=52.33 PU=21.64 LR=30.73 LRA=36.26



4/10/2025 ACPERF, record # 81830

AC Induction Motor Performance Data

Record # 84795

Typical performance - not guaranteed values

Winding: 06WGX200-R001		Type: 0642M		Enclosure: TEFC	
Nameplate Data			575 V, 60 Hz: Single Voltage Motor		
Rated Output (KW)	3.7	Full Load Torque	14.85 N-M		
Volts	575	Start Configuration	direct on line		
Full Load Amps	5.3	Breakdown Torque	52.3 N-M		
R.P.M.	1750	Pull-up Torque	21.6 N-M		
Hz	60	Locked-rotor Torque	30.7 N-M		
NEMA Design Code	B	Starting Current	36.3 A		
Service Factor (S.F.)	1.15	No-load Current	2.34 A		
NEMA Nom. Eff.	89.5	Line-line Res. @ 25°C	4.27 Ω		
Rating - Duty	40C	Temp. Rise @ Rated Load	53°C		
S.F. Amps	AMB-CONT	Temp. Rise @ S.F. Load	66°C		
		Locked-rotor Power Factor	40.6		
		Rotor inertia	0.391 kg-m ²		

Load Characteristics 575 V, 60 Hz, 3.7 KW

% of Rated Load	25	50	75	100	125	150	S.F.
Power Factor	42	64	75	81	84	85	83
Efficiency	62.6	66.2	66.4	66	65.1	63.8	65.5
Speed	1788	1777	1764	1751	1736	1720	1742
Line amperes	2.6	3.25	4.11	5.1	6.27	7.52	5.8

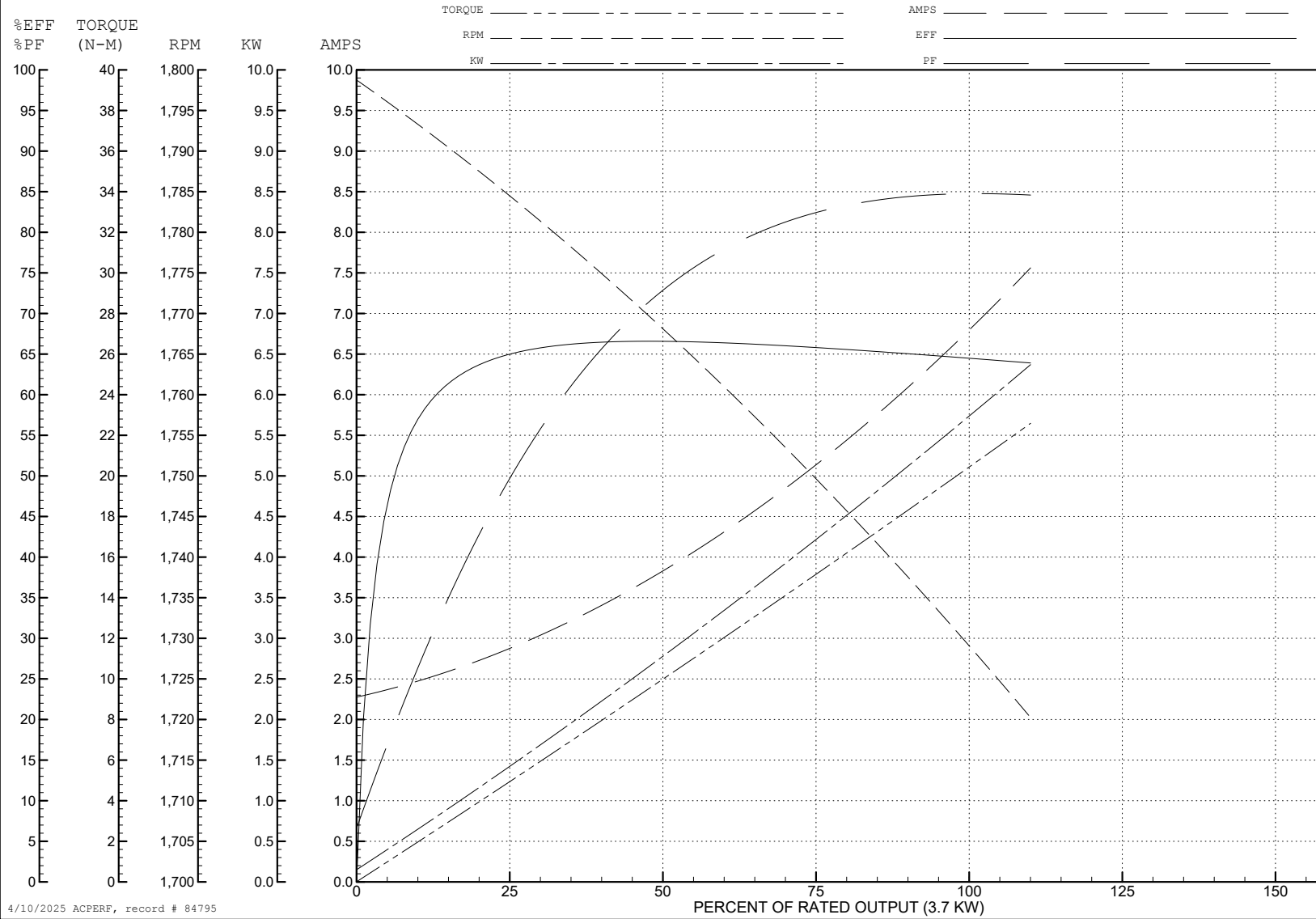
ABB Motors and Mechanical Inc.

WINDING # 06WGX200

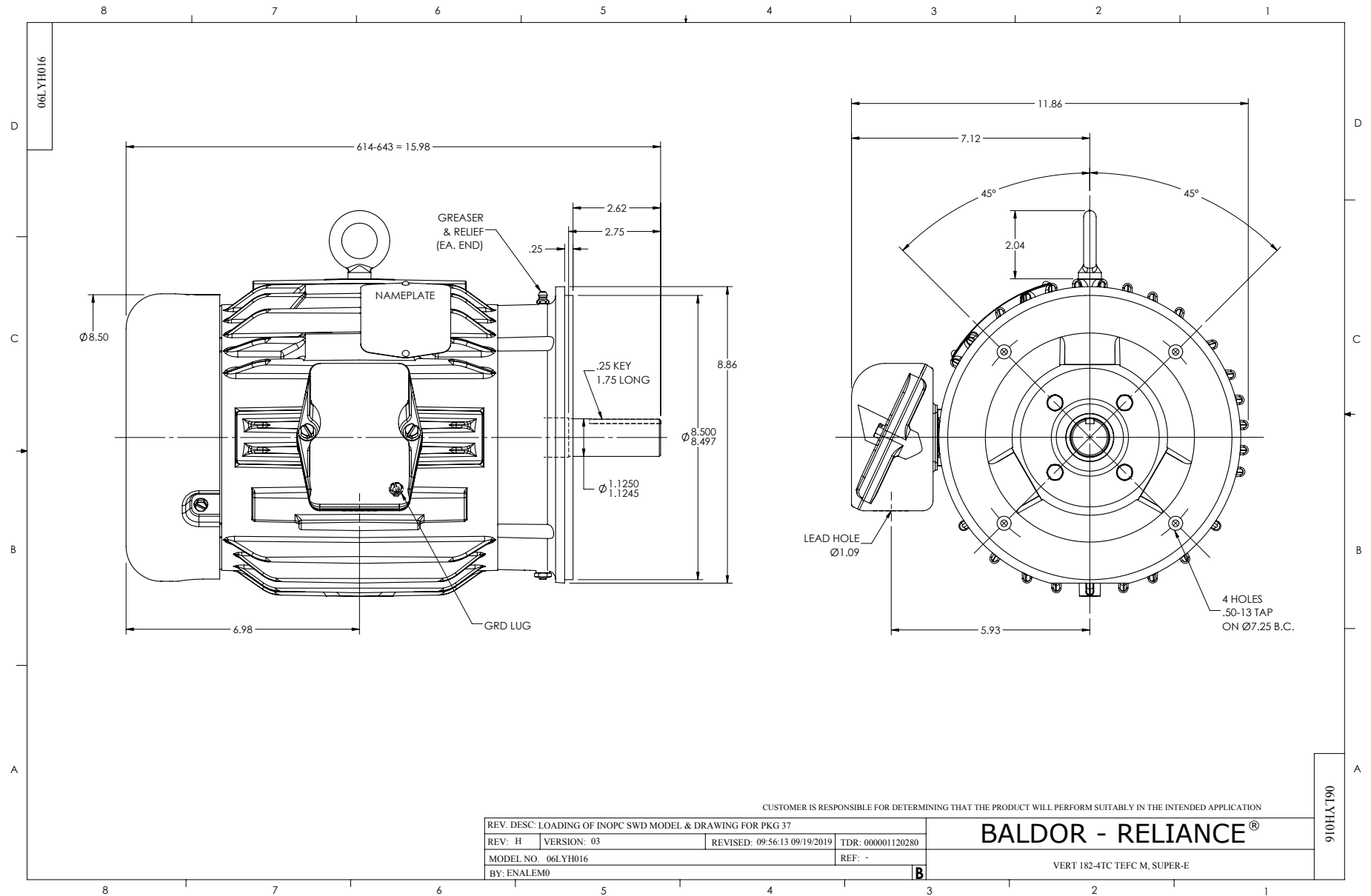
3.7 KW 3 PH 60 HZ 1750 RPM 575 V 0642M

Typical performance - not guaranteed values.

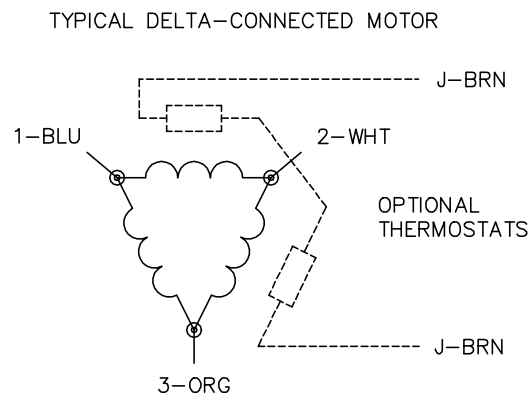
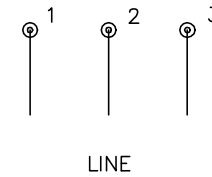
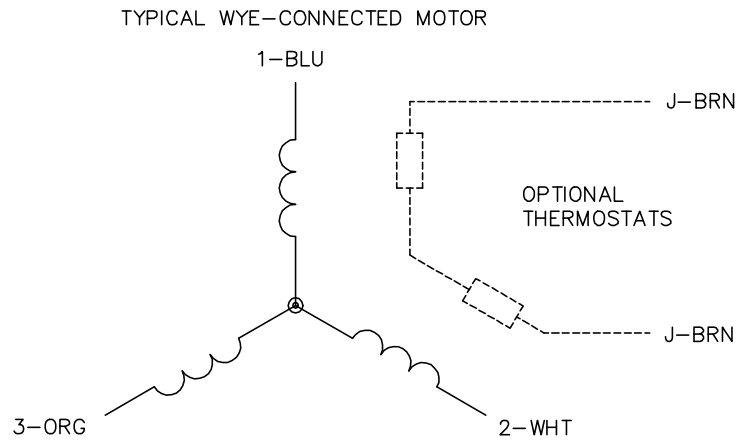
TORQUES (N-M) : PO=52.3 PU=21.6 LR=30.7 LRA=36.3



4/10/2025 ACPERF, record # 84795



CD0006



NOTES:

1. THREE LEAD MOTOR MAY BE EITHER WYE CONNECTED OR DELTA CONNECTED.
2. INTERCHANGE ANY TWO LINE LEADS TO REVERSE ROTATION.
3. OPTIONAL THERMOSTATS ARE PROVIDED WHEN SPECIFIED.
4. ACTUAL NUMBER OF INTERNAL PARALLEL CIRCUITS MAY VARY.
5. LEAD COLORS ARE OPTIONAL. LEADS MUST BE NUMBERED AS SHOWN.

CD0006

REV. DESC: ADD CLASS CONN00000007		
REV. LTR: E	VERSION: 01	TDR: 000001099922
FILE: \AAA\00005\141	REVISED: 10:24:49 02/19/2019	BY: ENBRIRO
MTL: -	© □	

BALDOR - RELIANCE®

3PH, SV, 3 LEADS, WYE OR DELTA CONNECTED

SH 1 of 1