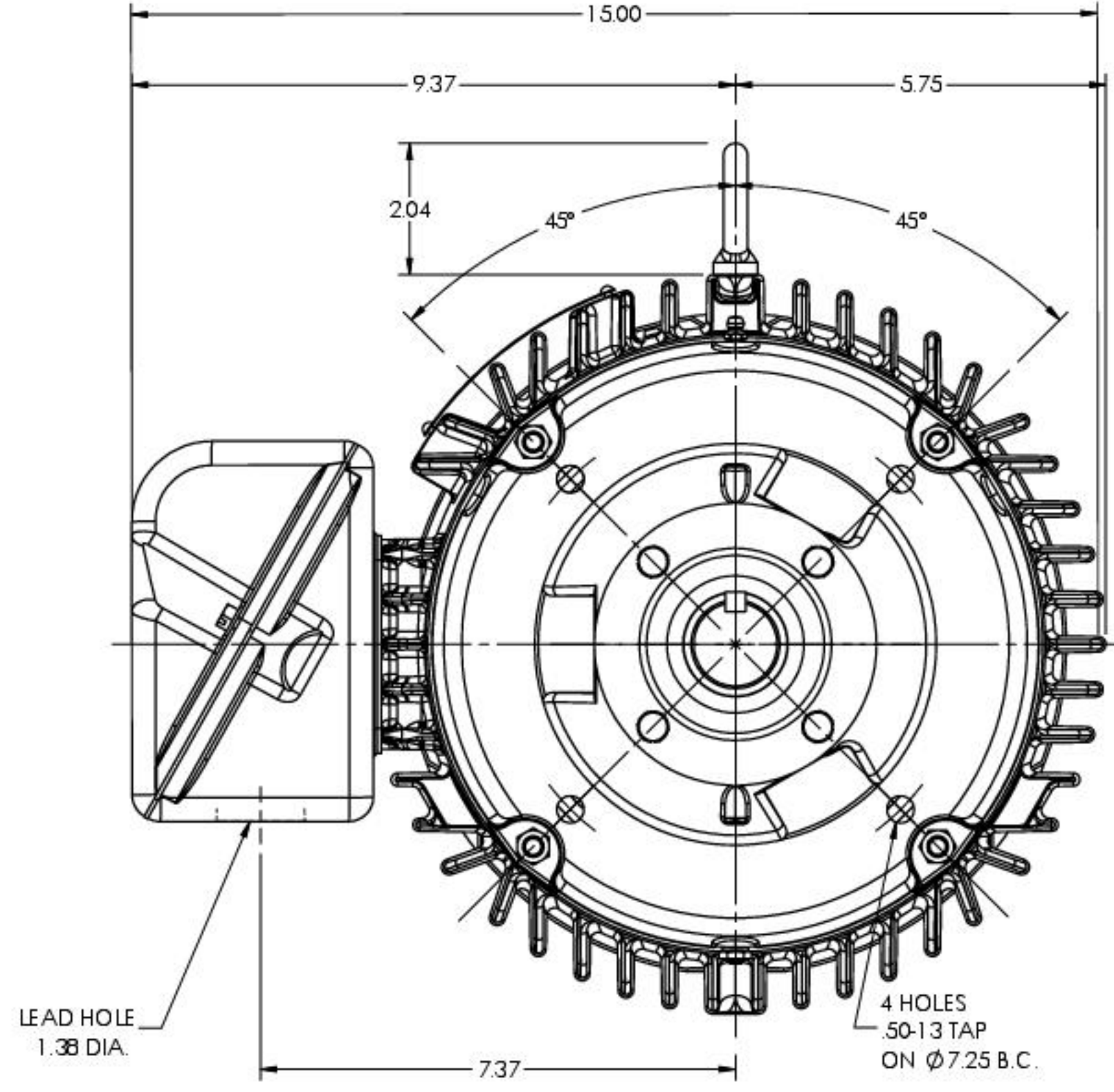
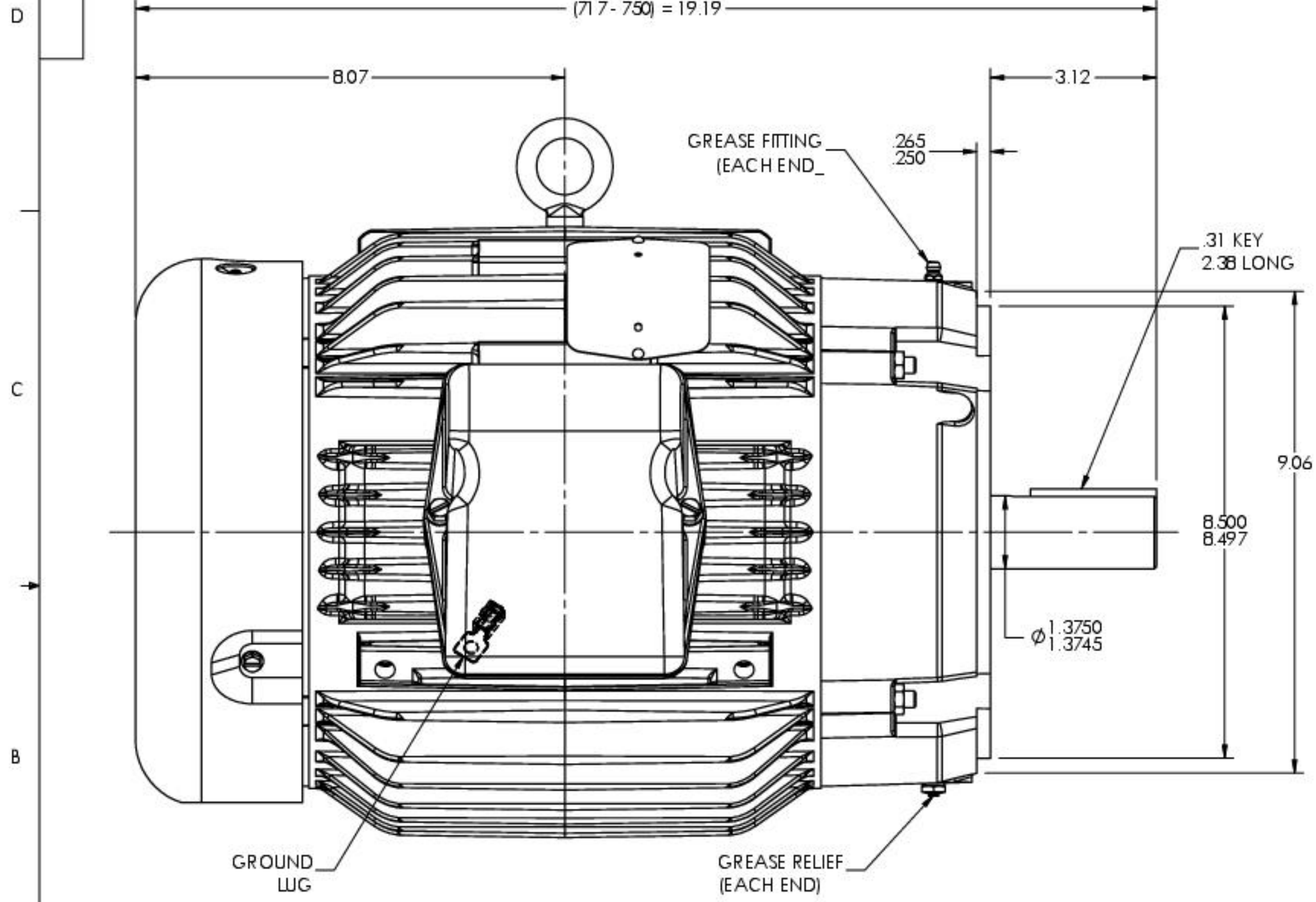


07LYG082



CUSTOMER IS RESPONSIBLE FOR DETERMINING THAT THE PRODUCT WILL PERFORM SUITABLY IN THE INTENDED APPLICATION

REV. DESC: LOAD TO SOLIDWORKS PER REV AH			
REV: H	VERSION: 03	REVISED: 01:09:54 08/12/2022	TDR: 000001195384
MODEL NO. 07LYG082			REF: -
BY: USBUFRA			B

BALDOR - RELIANCE®

VERT TEC 307M 213-5TC, HI-EFF

07LYG082