

**BALDOR® • RELIANCE** 

**Product Information Packet**

**VEM7026T**

**3//2HP,3450//2890RPM,3PH,60//50HZ,182TC**

Part Detail							
Revision:	C	Status:	PRD/A	Change #:		Proprietary:	No
Type:	AC	Elec. Spec:	36WGS041	CD Diagram:	CD0005	Mfg Plant:	
Mech. Spec:	36N024	Layout:	36LYN024	Poles:	02	Created Date:	09-30-2015
Base:	N	Eff. Date:	06-21-2017	Leads:	9#16		

Specs			
Catalog Number:	VEM7026T	Front Shaft Indicator:	None
Enclosure:	XPFC	Heater Indicator:	No Heater
Frame:	182TC	Insulation Class:	B
Frame Material:	Steel	Inverter Code:	Not Inverter
Output @ Frequency:	2.000 HP @ 50 HZ	KVA Code:	K
	3.000 HP @ 60 HZ	Lifting Lugs:	No Lifting Lugs
Synchronous Speed @ Frequency:	3600 RPM @ 60 HZ	Locked Bearing Indicator:	Locked Bearing
Voltage @ Frequency:	230.0 V @ 60 HZ	Motor Lead Quantity/Wire Size:	9 @ 16 AWG
	190.0 V @ 50 HZ	Motor Lead Exit:	Ko Box
	460.0 V @ 60 HZ	Motor Lead Termination:	Flying Leads
	380.0 V @ 50 HZ	Motor Type:	3622M
XP Class and Group:	CLI GP D; CLII GP F,G	Mounting Arrangement:	F1
XP Division:	Division I	Power Factor:	91
Agency Approvals:	CSA	Product Family:	General Purpose
	CSA EEV	Pulley End Bearing Type:	Ball
	UR	Pulley Face Code:	C-Face
Auxillary Box:	No Auxillary Box	Pulley Shaft Indicator:	Standard
Auxillary Box Lead Termination:	None	Rodent Screen:	None

<b>Base Indicator:</b>	No Mounting	<b>RoHS Status:</b>	ROHS COMPLIANT
<b>Bearing Grease Type:</b>	Polyrex EM (-20F +300F)	<b>Shaft Extension Location:</b>	Pulley End
<b>Blower:</b>	None	<b>Shaft Ground Indicator:</b>	No Shaft Grounding
<b>Current @ Voltage:</b>	8.000 A @ 208.0 V	<b>Shaft Rotation:</b>	Reversible
	7.400 A @ 230.0 V	<b>Shaft Slinger Indicator:</b>	No Slinger
	6.000 A @ 190.0 V	<b>Speed Code:</b>	Single Speed
	3.700 A @ 460.0 V	<b>Motor Standards:</b>	NEMA
	3.000 A @ 380.0 V	<b>Starting Method:</b>	Direct on line
<b>Design Code:</b>	B	<b>Thermal Device - Bearing:</b>	NONE (OLD)
<b>Drip Cover:</b>	No Drip Cover	<b>Thermal Device - Winding:</b>	Normally Closed Thermostat
<b>Duty Rating:</b>	CONT	<b>Vibration Sensor Indicator:</b>	No Vibration Sensor
<b>Electrically Isolated Bearing:</b>	Not Electrically Isolated	<b>Winding Thermal 1:</b>	None
<b>Feedback Device:</b>	NO FEEDBACK	<b>Winding Thermal 2:</b>	None
<b>Front Face Code:</b>	Standard	<b>XP Temp Code:</b>	T3C

Nameplate NP1426XPSLEV	
NO.	[ ] CC 010A [ ]
SER.	[ ]
SPEC.	36N024S041G2
CAT.NO.	VEM7026T
HP	3//2 [ ] T. CODE T3C [ ]
VOLTS	230/460//190/380
AMPS	7.4/3.7//6/3
RPM	3450//2890
HZ	60//50 [ ] PH 3 [ ] CL B [ ]
SER.F.	1.00 [ ] DES B [ ] CODE K [ ]
RATING	40C AMB-CONT
FRAME	182TC [ ] NEMA-NOM-EFF 86.5 [ ]
USABLE AT 208V	8 [ ] PF 91 [ ]
BLANK	[ ]

Parts List		
Part Number	Description	Quantity
SA308539	SA 36N024S041G2	1.000 EA
RA295871	RA 36N024S041G2	1.000 EA
34FN3002A02	EXTERNAL FAN, PLASTIC, .905/.907 HUB W/	1.000 EA
35CB3001A02SP	EXPL PROOF CONDUIT BOX, 3/4"PIPE TAP LEA	1.000 EA
11XW1032G06	10-32 X .38, TAPTITE II, HEX WSHR SLTD U	1.000 EA
HW3001B01	BRASS CUP WASHER, FOR #10 SCREW	1.000 EA
36EP3700A01	FR ENDPLATE, MACH	1.000 EA
HW4500A19	1/4-28X1/4 SLOTTED PLUG F/S	2.000 EA
HW5100A05	WVY WSHR F/205 & 304 BRGS	1.000 EA
36EP1703A01	PU ENDPLATE, MACH	1.000 EA
51XN1032A20	10-32 X 1 1/4 HX WS SL SR	2.000 EA
HW4001A01	1/4 HX SOC PIPE PLG (F/S) ALLOY STEEL W/	2.000 EA
60XN1032A07	10-32 X .4375 TRUSS HEAD, TORX SERRATED	2.000 EA
36FH4009A02	FAN COVER FOR VM7042T,PRIMER	1.000 EA
51XW1032A06	10-32 X .38, TAPTITE II, HEX WSHR SLTD S	3.000 EA
35CB3500A01SP	CONDUIT BOX LID, MACH	1.000 EA
51XN2520A16	SCREW, HEX WS SLT, ZN, 1/4-20 X 1.00	4.000 EA
HW2501E16	KEY, 1/4 SQ X 1.750	1.000 EA
HA7000A02	KEY RETAINER RING, 1 1/8 DIA, 1 3/8 DIA	1.000 EA
85XU0407S04	4X1/4 U DRIVE PIN STAINLESS	6.000 EA
NP0018F	ALUM UL XP CONDUIT BOX NAMEPLATE	1.000 EA
MJ1000A02	GREASE, POLYREX EM EXXON (USe 4824-15A)	0.050 LB
51XB1214A16	12-14X1.00 HXWSSLD SERTYB	1.000 EA
MG1025G29	WILKOFASST, 789.229, DARK CHARCOAL GRAY	0.022 GA

<b>Parts List (continued)</b>		
<b>Part Number</b>	<b>Description</b>	<b>Quantity</b>
HA3105A02	THRUBOLT 3/8-16 X 9.125 DEMBY	4.000 EA
LB1119N	WARNING LABEL	1.000 EA
LC0145B01	CONNECTION LABEL	1.000 EA
NP1426XPSLEV	SS XP UL CSA-EEV CC CL-I GP-D	1.000 EA
36PA1001	PKG GRP, PRINT PK1017A06	1.000 EA
PK3082	STYROFOAM CRADLE	1.000 EA
MN416A01	TAG-INSTAL-MAINT no wire (1200/bx) 5/18	1.000 EA

**AC Induction Motor Performance Data**

Record # 35705 - Typical performance - not guaranteed values

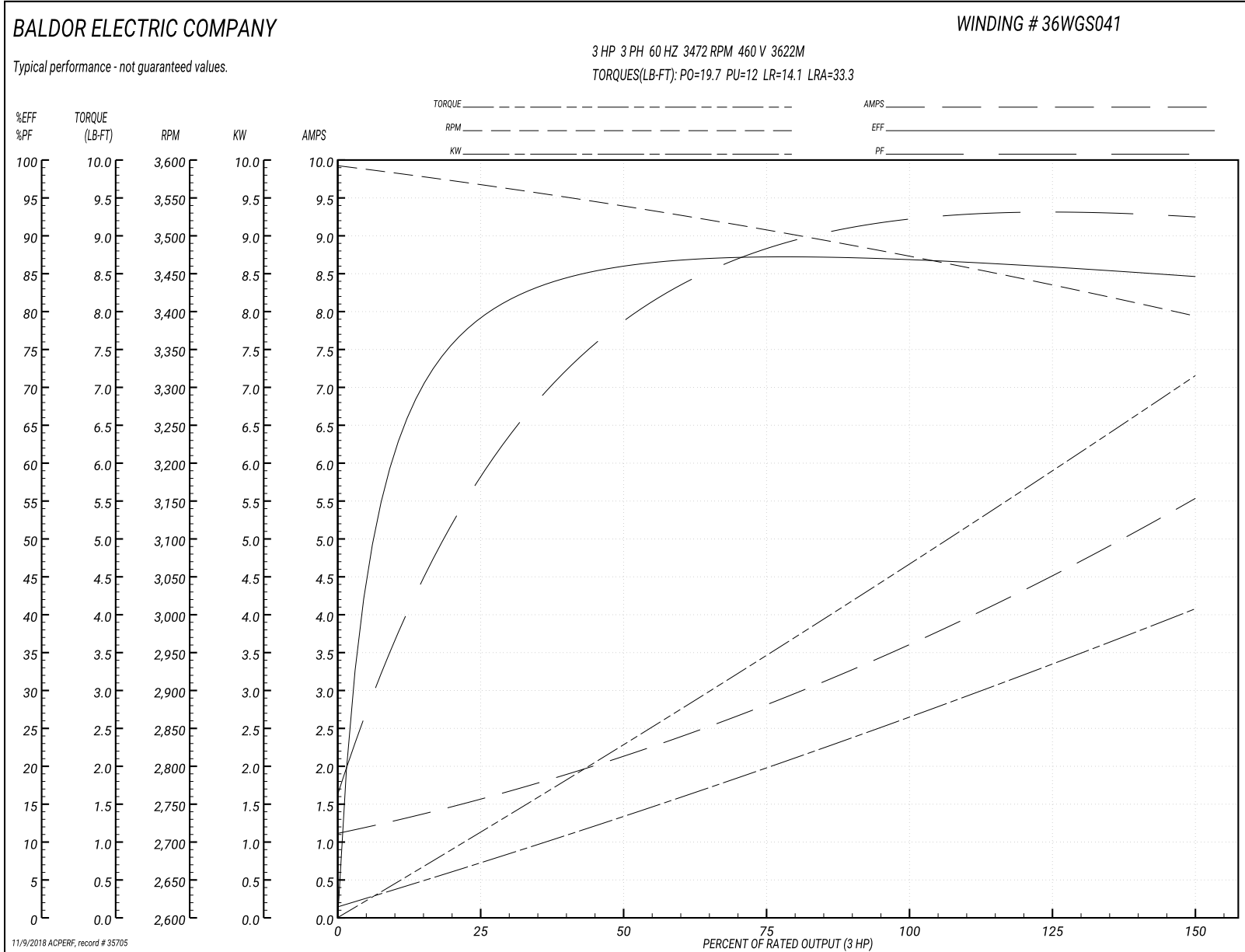
<b>Winding:</b> 36WGS041-R005	<b>Type:</b> 3622M	<b>Enclosure:</b> XPFC
-------------------------------	--------------------	------------------------

Nameplate Data				460 V, 60 Hz: High Voltage Connection	
Rated Output (HP)	3//2			Full Load Torque	4.7 LB-FT
Volts	230/460//190/380			Start Configuration	direct on line
Full Load Amps	7.4/3.7//6/3			Breakdown Torque	19.7 LB-FT
R.P.M.	3450//2890			Pull-up Torque	12 LB-FT
Hz	60//50	Phase	3	Locked-rotor Torque	14.1 LB-FT
NEMA Design Code	B	KVA Code	K	Starting Current	33.3 A
Service Factor (S.F.)	1			No-load Current	1.17 A
NEMA Nom. Eff.	86.5	Power Factor	91	Line-line Res. @ 25°C	4.62 Ω
Rating - Duty	40C AMB-CONT			Temp. Rise @ Rated Load	52°C
S.F. Amps				Temp. Rise @ S.F. Load	64°C
				Locked-rotor Power Factor	48
				Rotor inertia	0.0984 LB-FT <sup>2</sup>

Load Characteristics 460 V, 60 Hz, 3 HP

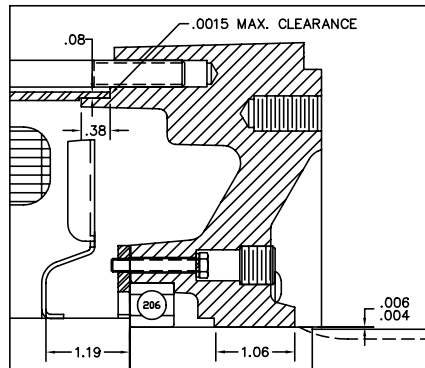
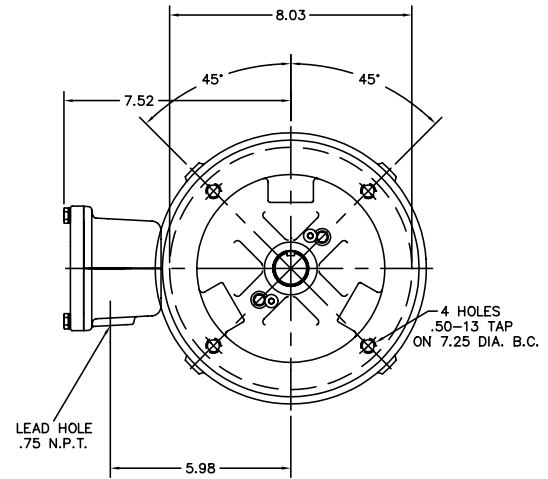
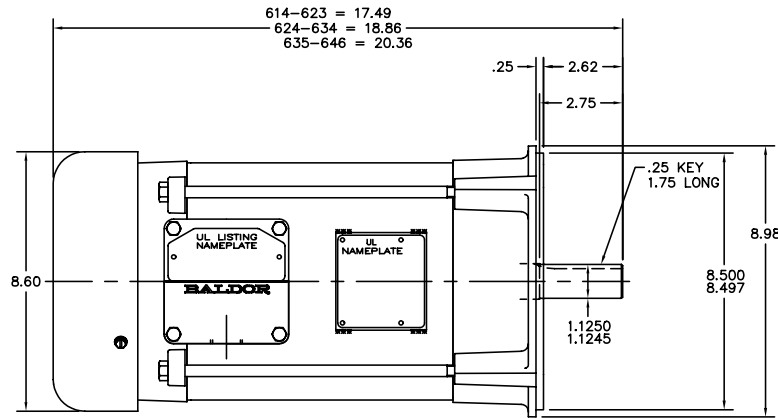
% of Rated Load	25	50	75	100	125	150
Power Factor	66	82	88	91	92	93
Efficiency	80.4	86	87.4	86.9	86.1	84.5
Speed	3565	3535	3504	3472	3434	3394
Line amperes	1.56	2.17	2.93	3.67	4.57	5.5

Performance Graph at 460V, 60Hz, 3.0HP Typical performance - Not guaranteed values





36L YN024



PULLEY END DETAIL

UL CLASS I - GROUP D - CLASS II - GROUPS F & G

CUST. NAME	CUST. P.O.	CERTIFIED BY	MODEL	INSUL	AMB	
H.P.	MTG	TYPE	R.P.M.	VOLTS	ENCL	
PHASE	FREQ	FRAME				
REV. DESC: CHG'D FH TO 36FH4009A02			<b>BALDOR ELECTRIC Co.</b>			
REV. LTR: H	BY: JED	REVISED: 06/03/99 2:23				TDR: 0183318
FILE: AAA00004734						MDL: -
MTL: -	VERT 182-4TC XPFC 36M CL I-GP D, CL II GP F&G, W/T*ST					

36L YN024

CD0005

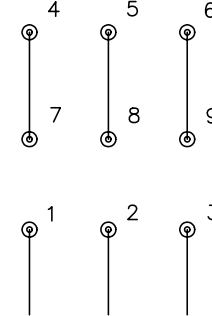


LOW VOLTAGE  
(2Y)



LINE

HIGH VOLTAGE  
(1Y)



LINE

NOTES:

1. INTERCHANGE ANY TWO LINE LEADS TO REVERSE ROTATION.
2. OPTIONAL THERMOSTATS ARE PROVIDED WHEN SPECIFIED.
3. ACTUAL NUMBER OF INTERNAL PARALLEL CIRCUITS MAY BE A MULTIPLE OF THOSE SHOWN ABOVE.
4. LEAD COLORS ARE OPTIONAL. LEADS MUST ALWAYS BE NUMBERED AS SHOWN.

REV. DESC: REVISE TO SHOW OPTIONAL COLORS

REV. LTR: E BY: JLP

REVISED: 01/19/99 10:15

TDR: 0171435

900003

FILE: AAA00005140

MDL: -

MTL: -

**BALDOR ELECTRIC Co.**

3PH, DV, 9 LEADS

CD0005