

BALDOR® • RELIANCE 

Product Information Packet

VEM7034T-5

1.5HP, 1760RPM, 3PH, 60HZ, 145TC, 3526M, XPFC

Part Detail							
Revision:	L	Status:	PRD/A	Change #:		Proprietary:	No
Type:	AC	Elec. Spec:	35WGM887	CD Diagram:	CD0006	Mfg Plant:	
Mech. Spec:	35E380	Layout:	35LYE380	Poles:	04	Created Date:	09-27-2010
Base:	N	Eff. Date:	09-01-2016	Leads:	3#18		

Specs			
Catalog Number:	VEM7034T-5	Inverter Code:	Not Inverter
Enclosure:	XPFC	KVA Code:	L
Frame:	145TC	Lifting Lugs:	No Lifting Lugs
Frame Material:	Steel	Locked Bearing Indicator:	Locked Bearing
Output @ Frequency:	1.500 HP @ 60 HZ	Motor Lead Quantity/Wire Size:	3 @ 18 AWG
Synchronous Speed @ Frequency:	1800 RPM @ 60 HZ	Motor Lead Exit:	Ko Box
Voltage @ Frequency:	575.0 V @ 60 HZ	Motor Lead Termination:	Flying Leads
XP Class and Group:	CLI GP D; CLII GP F,G	Motor Type:	3526M
XP Division:	Division I	Mounting Arrangement:	F1
Agency Approvals:	UL	Power Factor:	73
	UR	Product Family:	General Purpose
	CSA EEV	Pulley End Bearing Type:	Ball
	CSA	Pulley Face Code:	C-Face
Auxillary Box:	No Auxillary Box	Pulley Shaft Indicator:	Standard
Auxillary Box Lead Termination:	None	Rodent Screen:	None
Base Indicator:	No Mounting	Shaft Extension Location:	Pulley End
Bearing Grease Type:	Polyrex EM (-20F +300F)	Shaft Ground Indicator:	No Shaft Grounding
Blower:	None	Shaft Rotation:	Reversible

Current @ Voltage:	1.800 A @ 575.0 V	Shaft Slinger Indicator:	No Slinger
Design Code:	B	Speed Code:	Single Speed
Drip Cover:	No Drip Cover	Motor Standards:	NEMA
Duty Rating:	CONT	Starting Method:	Direct on line
Electrically Isolated Bearing:	Not Electrically Isolated	Thermal Device - Bearing:	NONE (OLD)
Feedback Device:	NO FEEDBACK	Thermal Device - Winding:	Normally Closed Thermostat
Front Face Code:	Standard	Vibration Sensor Indicator:	No Vibration Sensor
Front Shaft Indicator:	None	Winding Thermal 1:	None
Heater Indicator:	No Heater	Winding Thermal 2:	None
Insulation Class:	B	XP Temp Code:	T3C

Nameplate NP1426XPSLEV	
NO.	<input type="text"/> CC 010A
SER.	<input type="text"/>
SPEC.	35E380M887G1
CAT.NO.	VEM7034T-5
HP	1.5 T. CODE T3C
VOLTS	575
AMPS	1.8
RPM	1760
HZ	60 PH 3 CL B
SER.F.	1.00 DES B CODE L
RATING	40C AMB-CONT
FRAME	145TC NEMA-NOM-EFF 86.5
USABLE AT 208V	PF 73
BLANK	<input type="text"/>

Parts List		
Part Number	Description	Quantity
SA203656	SA 35E380M887G1	1.000 EA
RA190916	RA 35E380M887G1	1.000 EA
34FN3002B01	EXTERNAL FAN, PLASTIC, .637/.639 HUB W/	1.000 EA
35CB3001A02SP	EXPL PROOF CONDUIT BOX, 3/4"PIPE TAP LEA	1.000 EA
11XW1032G06	10-32 X .38, TAPTITE II, HEX WSHR SLTD U	1.000 EA
HW3001B01	BRASS CUP WASHER, FOR #10 SCREW	1.000 EA
35EP3700A01SP	FR ENDPLATE, XPFC	1.000 EA
HW5100A03	WAVY WASHER (W1543-017)	1.000 EA
35EP3702A01SP	PU EP-205 BRG-35X-56C-143-5TC	1.000 EA
51XN1032A20	10-32 X 1 1/4 HX WS SL SR	2.000 EA
HA3013A01	1/2-20X5/8 SPL.HX BOLT	2.000 EA
HW3021C06	3/32 DI X .625 PIN (F/S)	2.000 EA
XY3118A12	5/16-18 HEX NUT DIRECTIONAL SERRATION	4.000 EA
51XB1214A16	12-14X1.00 HXWSSLD SERTYB	1.000 EA
35FH4005A01SP	IEC FH NO GREASER W/PRIMED	1.000 EA
51XW1032A06	10-32 X .38, TAPTITE II, HEX WSHR SLTD S	3.000 EA
35CB3500A01SP	CONDUIT BOX LID, MACH	1.000 EA
51XN2520A16	SCREW, HEX WS SLT, ZN, 1/4-20 X 1.00	4.000 EA
HW2501D13	KEY, 3/16 SQ X 1.375	1.000 EA
HA7000A01	KEY RETAINER 7/8" DIA SHAFT	1.000 EA
85XU0407S04	4X1/4 U DRIVE PIN STAINLESS	6.000 EA
NP0018F	ALUM UL XP CONDUIT BOX NAMEPLATE	1.000 EA
MJ1000A02	GREASE, POLYREX EM EXXON (USe 4824-15A)	0.050 LB
MG1025G29	WILKOFAS, 789.229, DARK CHARCOAL GRAY	0.017 GA

Parts List (continued)		
Part Number	Description	Quantity
HA3104A08	THRUBOLT-5/16-18X9.375 X X	4.000 EA
LB1119N	WARNING LABEL	1.000 EA
LC0145B01	CONNECTION LABEL	1.000 EA
NP1426XPSLEV	SS XP UL CSA-EEV CC CL-I GP-D	1.000 EA
36PA1000	PKG GRP, PRINT PK1016A06	1.000 EA
PK3082	STYROFOAM CRADLE	1.000 EA
MN416A01	TAG-INSTAL-MAINT no wire (1200/bx) 5/18	1.000 EA

AC Induction Motor Performance Data

Record # 35605 - Typical performance - not guaranteed values

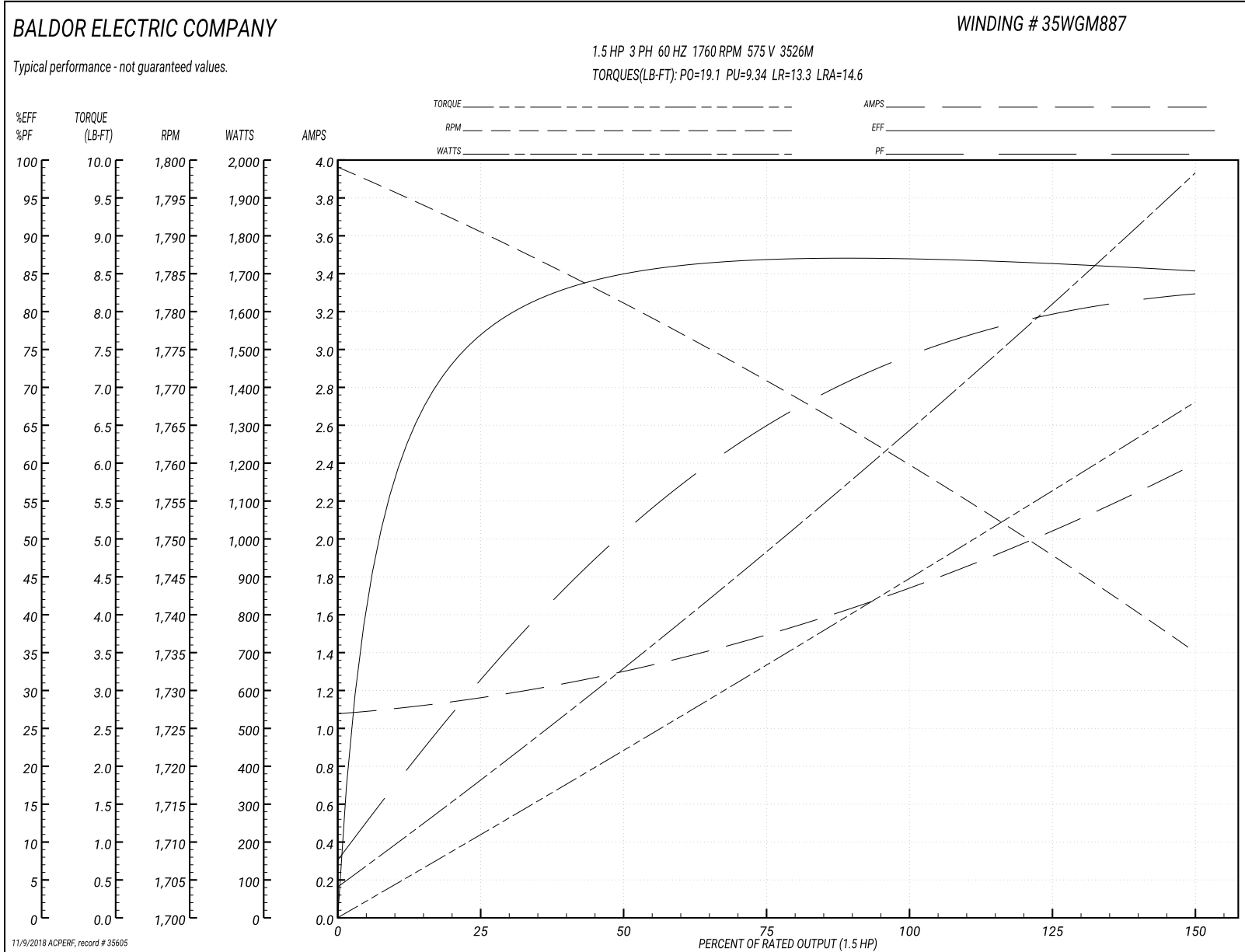
Winding: 35WGM887-R002	Type: 3526M	Enclosure: XPFC
-------------------------------	--------------------	------------------------

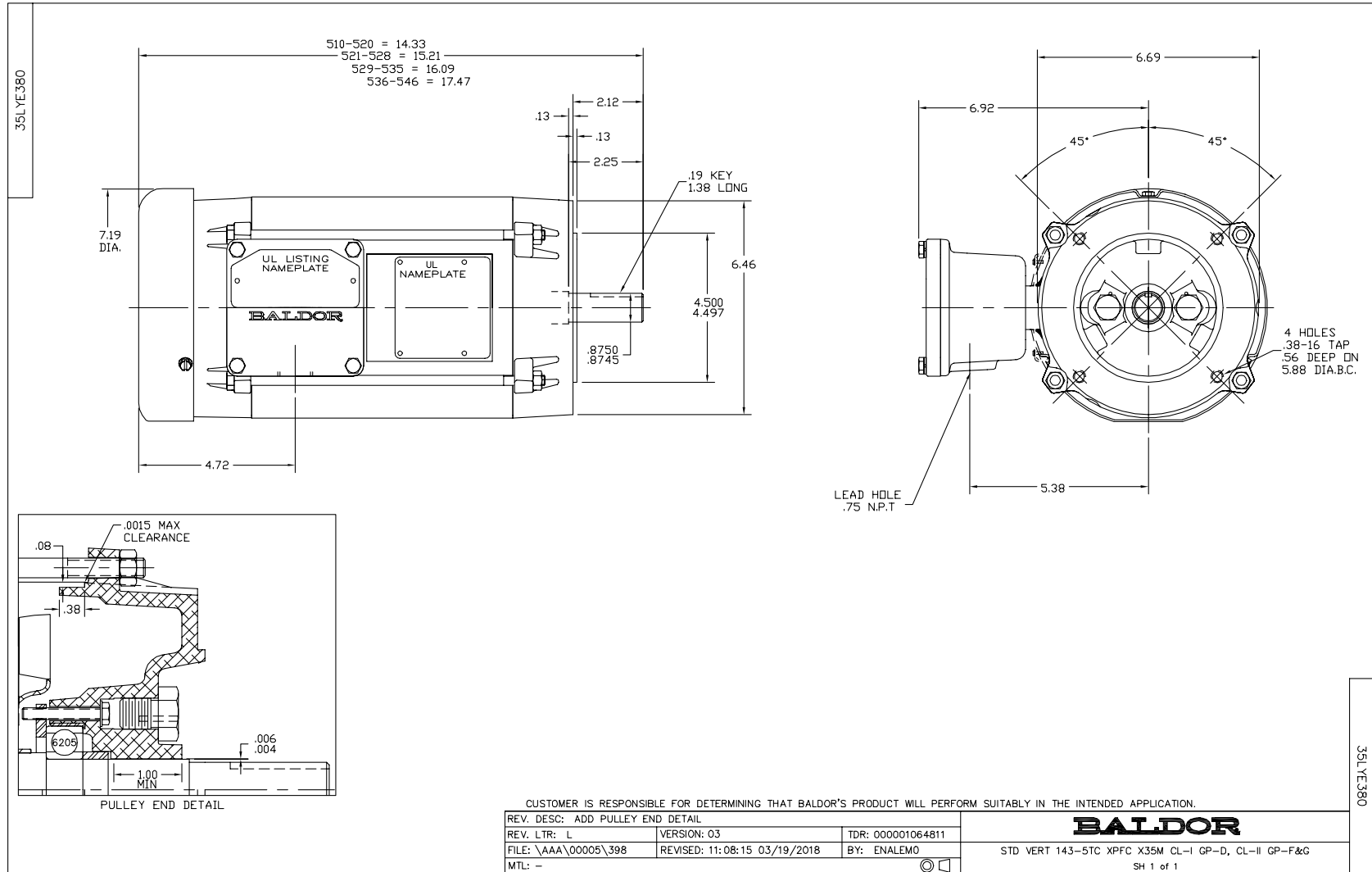
Nameplate Data				575 V, 60 Hz: Single Voltage Motor	
Rated Output (HP)	1.5			Full Load Torque	4.47 LB-FT
Volts	575			Start Configuration	direct on line
Full Load Amps	1.8			Breakdown Torque	19.1 LB-FT
R.P.M.	1760			Pull-up Torque	9.34 LB-FT
Hz	60	Phase	3	Locked-rotor Torque	13.3 LB-FT
NEMA Design Code	B	KVA Code	L	Starting Current	14.6 A
Service Factor (S.F.)	1			No-load Current	1.09 A
NEMA Nom. Eff.	86.5	Power Factor	73	Line-line Res. @ 25°C	17 Ω
Rating - Duty	40C AMB-CONT			Temp. Rise @ Rated Load	44°C
S.F. Amps				Temp. Rise @ S.F. Load	52°C
				Locked-rotor Power Factor	52
				Rotor inertia	0.154 LB-FT ²

Load Characteristics 575 V, 60 Hz, 1.5 HP

% of Rated Load	25	50	75	100	125	150
Power Factor	31	51	65	74	79	83
Efficiency	76.6	84.5	87	87.1	86.4	85.4
Speed	1791	1781	1771	1760	1748	1735
Line amperes	1.15	1.28	1.49	1.75	2.06	2.38

Performance Graph at 575V, 60Hz, 1.5HP Typical performance - Not guaranteed values





CD0006



NOTES:

1. THREE LEAD MOTOR MAY BE EITHER WYE CONNECTED OR DELTA CONNECTED.
2. INTERCHANGE ANY TWO LINE LEADS TO REVERSE ROTATION.
3. OPTIONAL THERMOSTATS ARE PROVIDED WHEN SPECIFIED.
4. ACTUAL NUMBER OF INTERNAL PARALLEL CIRCUITS MAY VARY.
5. LEAD COLORS ARE OPTIONAL. LEADS MUST BE NUMBERED AS SHOWN.

REV. DESC: REVISE TO SHOW OPTIONAL COLORS			
REV. LTR: D	BY: JLP	REVISED: 01/21/99 4:02	TDR: 0171435
9000D		FILE: AAA00005141	MDL: -
		MTL: -	

BALDOR ELECTRIC Co.

3PH, SV, 3 LEADS, WYE OR DELTA CONNECTED

CD0006