

BALDOR® • RELIANCE 

Product Information Packet

VEM7072T

5//3HP,3450//2900RPM,3PH,60//50HZ,184TC

Part Detail							
Revision:	F	Status:	PRD/A	Change #:		Proprietary:	No
Type:	AC	Elec. Spec:	36WGS042	CD Diagram:	CD0005	Mfg Plant:	
Mech. Spec:	36E396	Layout:	36LYE396	Poles:	02	Created Date:	09-30-2015
Base:	N	Eff. Date:	10-23-2017	Leads:	9#16		

Specs			
Catalog Number:	VEM7072T	Front Shaft Indicator:	None
Enclosure:	XPFC	Heater Indicator:	No Heater
Frame:	184TC	Insulation Class:	B
Frame Material:	Steel	Inverter Code:	Not Inverter
Output @ Frequency:	3.000 HP @ 50 HZ	KVA Code:	L
	5.000 HP @ 60 HZ	Lifting Lugs:	No Lifting Lugs
Synchronous Speed @ Frequency:	3600 RPM @ 60 HZ	Locked Bearing Indicator:	Locked Bearing
Voltage @ Frequency:	230.0 V @ 60 HZ	Motor Lead Quantity/Wire Size:	9 @ 16 AWG
	190.0 V @ 50 HZ	Motor Lead Exit:	Ko Box
	460.0 V @ 60 HZ	Motor Lead Termination:	Flying Leads
	380.0 V @ 50 HZ	Motor Type:	3630M
XP Class and Group:	CLI GP D; CLII GP F,G	Mounting Arrangement:	F1
XP Division:	Division I	Power Factor:	91
Agency Approvals:	CSA	Product Family:	General Purpose
	CSA EEV	Pulley End Bearing Type:	Ball
	UR	Pulley Face Code:	C-Face
Auxillary Box:	No Auxillary Box	Pulley Shaft Indicator:	Standard
Auxillary Box Lead Termination:	None	Rodent Screen:	None

Base Indicator:	No Mounting	RoHS Status:	ROHS COMPLIANT
Bearing Grease Type:	Polyrex EM (-20F +300F)	Shaft Extension Location:	Pulley End
Blower:	None	Shaft Ground Indicator:	No Shaft Grounding
Current @ Voltage:	8.800 A @ 190.0 V	Shaft Rotation:	Reversible
	5.900 A @ 460.0 V	Shaft Slinger Indicator:	No Slinger
	4.400 A @ 380.0 V	Speed Code:	Single Speed
	12.000 A @ 208.0 V	Motor Standards:	NEMA
	11.800 A @ 230.0 V	Starting Method:	Direct on line
Design Code:	A	Thermal Device - Bearing:	NONE (OLD)
Drip Cover:	No Drip Cover	Thermal Device - Winding:	Normally Closed Thermostat
Duty Rating:	CONT	Vibration Sensor Indicator:	No Vibration Sensor
Electrically Isolated Bearing:	Not Electrically Isolated	Winding Thermal 1:	None
Feedback Device:	NO FEEDBACK	Winding Thermal 2:	None
Front Face Code:	Standard	XP Temp Code:	T3C

Nameplate NP1426XPSLEV	
NO.	[] CC 010A []
SER.	[]
SPEC.	36E396S042G2
CAT.NO.	VEM7072T
HP	5//3 [] T. CODE T3C []
VOLTS	230/460//190/380
AMPS	11.8/5.9//8.8/4.4
RPM	3450//2900
HZ	60//50 [] PH 3 [] CL B []
SER.F.	1.00 [] DES A [] CODE L []
RATING	40C AMB-CONT
FRAME	184TC [] NEMA-NOM-EFF 88.5 []
USABLE AT 208V	12 [] PF 91 []
BLANK	[]

Parts List		
Part Number	Description	Quantity
SA308541	SA 36E396S042G2	1.000 EA
RA295873	RA 36E396S042G2	1.000 EA
34FN3002B02	EXTERNAL FAN, PLASTIC, .905/.907 HUB W/	1.000 EA
35CB3001A02SP	EXPL PROOF CONDUIT BOX, 3/4"PIPE TAP LEA	1.000 EA
11XW1032G06	10-32 X .38, TAPTITE II, HEX WSHR SLTD U	1.000 EA
HW3001B01	BRASS CUP WASHER, FOR #10 SCREW	1.000 EA
36EP1702A01	FR ENDPLATE, MACH	1.000 EA
HW4500A19	1/4-28X1/4 SLOTTED PLUG F/S	2.000 EA
HW5100A05	WVY WSHR F/205 & 304 BRGS	1.000 EA
36EP1703A01	PU ENDPLATE, MACH	1.000 EA
51XN1032A20	10-32 X 1 1/4 HX WS SL SR	2.000 EA
HW4001A01	1/4 HX SOC PIPE PLG (F/S) ALLOY STEEL W/	2.000 EA
60XN1032A07	10-32 X .4375 TRUSS HEAD, TORX SERRATED	2.000 EA
51XB1214A16	12-14X1.00 HXWSSLD SERTYB	1.000 EA
36FH3003	FAN COVER, CAST	1.000 EA
51XN1032A08	10-32 X 0.500 HX WS SL SR ZN	4.000 EA
35CB3500A01SP	CONDUIT BOX LID, MACH	1.000 EA
51XN2520A16	SCREW, HEX WS SLT, ZN, 1/4-20 X 1.00	4.000 EA
HW2501E16	KEY, 1/4 SQ X 1.750	1.000 EA
HA7000A02	KEY RETAINER RING, 1 1/8 DIA, 1 3/8 DIA	1.000 EA
85XU0407S04	4X1/4 U DRIVE PIN STAINLESS	6.000 EA
NP0018F	ALUM UL XP CONDUIT BOX NAMEPLATE	1.000 EA
MJ1000A02	GREASE, POLYREX EM EXXON (USe 4824-15A)	0.050 LB
MG1025G29	WILKOFAS, 789.229, DARK CHARCOAL GRAY	0.022 GA

Parts List (continued)		
Part Number	Description	Quantity
HA3105A06	THRUBOLT- 3/8-16 X 10.500 X	4.000 EA
LB1119N	WARNING LABEL	1.000 EA
LC0145B01	CONNECTION LABEL	1.000 EA
NP1426XPSLEV	SS XP UL CSA-EEV CC CL-I GP-D	1.000 EA
G0PA1000	PKG GRP, PRINT PK1026A06	1.000 EA
PK3082	STYROFOAM CRADLE	1.000 EA
MN416A01	TAG-INSTAL-MAINT no wire (1200/bx) 5/18	1.000 EA

AC Induction Motor Performance Data

Record # 36906 - Typical performance - not guaranteed values

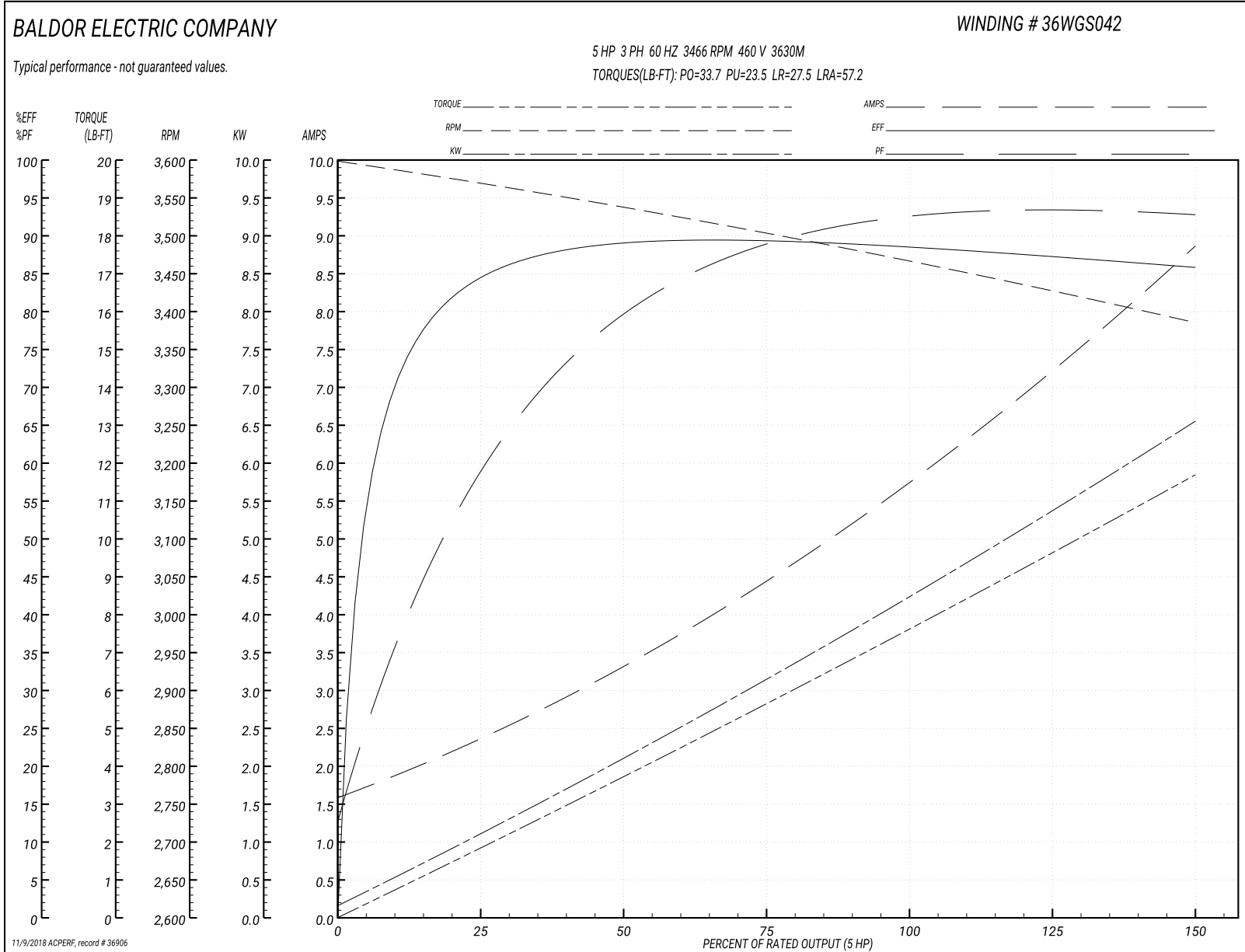
Winding: 36WGS042-R006	Type: 3630M	Enclosure: XPFC
-------------------------------	--------------------	------------------------

Nameplate Data				460 V, 60 Hz: High Voltage Connection	
Rated Output (HP)	5//3			Full Load Torque	7.67 LB-FT
Volts	230/460//190/380			Start Configuration	direct on line
Full Load Amps	11.8/5.9//8.8/4.4			Breakdown Torque	33.7 LB-FT
R.P.M.	3450//2900			Pull-up Torque	23.5 LB-FT
Hz	60//50	Phase	3	Locked-rotor Torque	27.5 LB-FT
NEMA Design Code	A	KVA Code	L	Starting Current	57.2 A
Service Factor (S.F.)	1			No-load Current	1.68 A
NEMA Nom. Eff.	88.5	Power Factor	91	Line-line Res. @ 25°C	2.27 Ω
Rating - Duty	40C AMB-CONT			Temp. Rise @ Rated Load	72°C
				Locked-rotor Power Factor	45
				Rotor inertia	0.134 LB-FT ²

Load Characteristics 460 V, 60 Hz, 5 HP

% of Rated Load	25	50	75	100	125	150
Power Factor	62	81	88	91	93	94
Efficiency	84.1	88.9	89.4	88.7	87.3	85.8
Speed	3569	3537	3504	3466	3428	3385
Line amperes	2.24	3.26	4.47	5.85	7.26	8.8

Performance Graph at 460V, 60Hz, 5.0HP Typical performance - Not guaranteed values



AC Induction Motor Performance Data

Record # 36907 - Typical performance - not guaranteed values

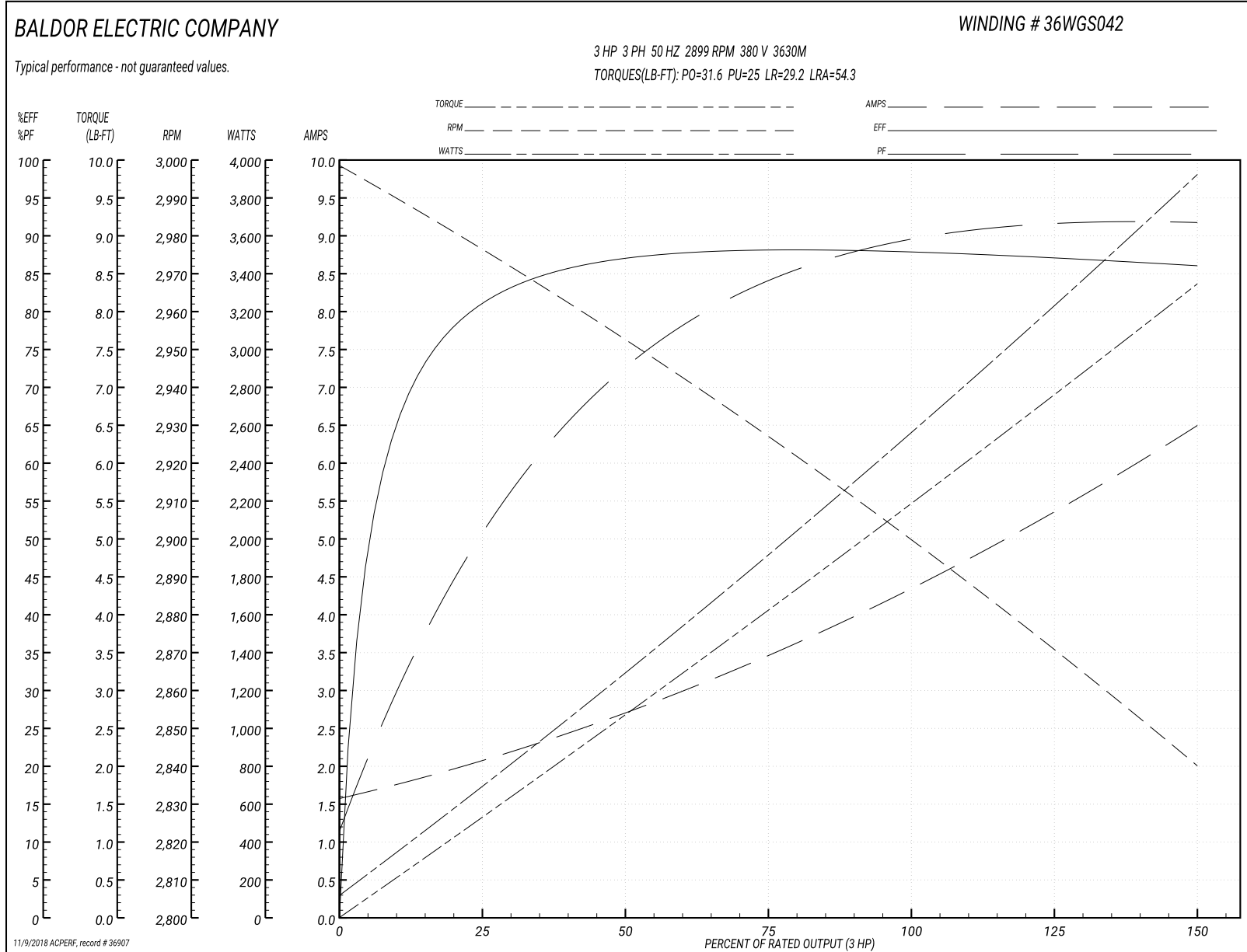
Winding: 36WGS042-R006	Type: 3630M	Enclosure: XPFC
-------------------------------	--------------------	------------------------

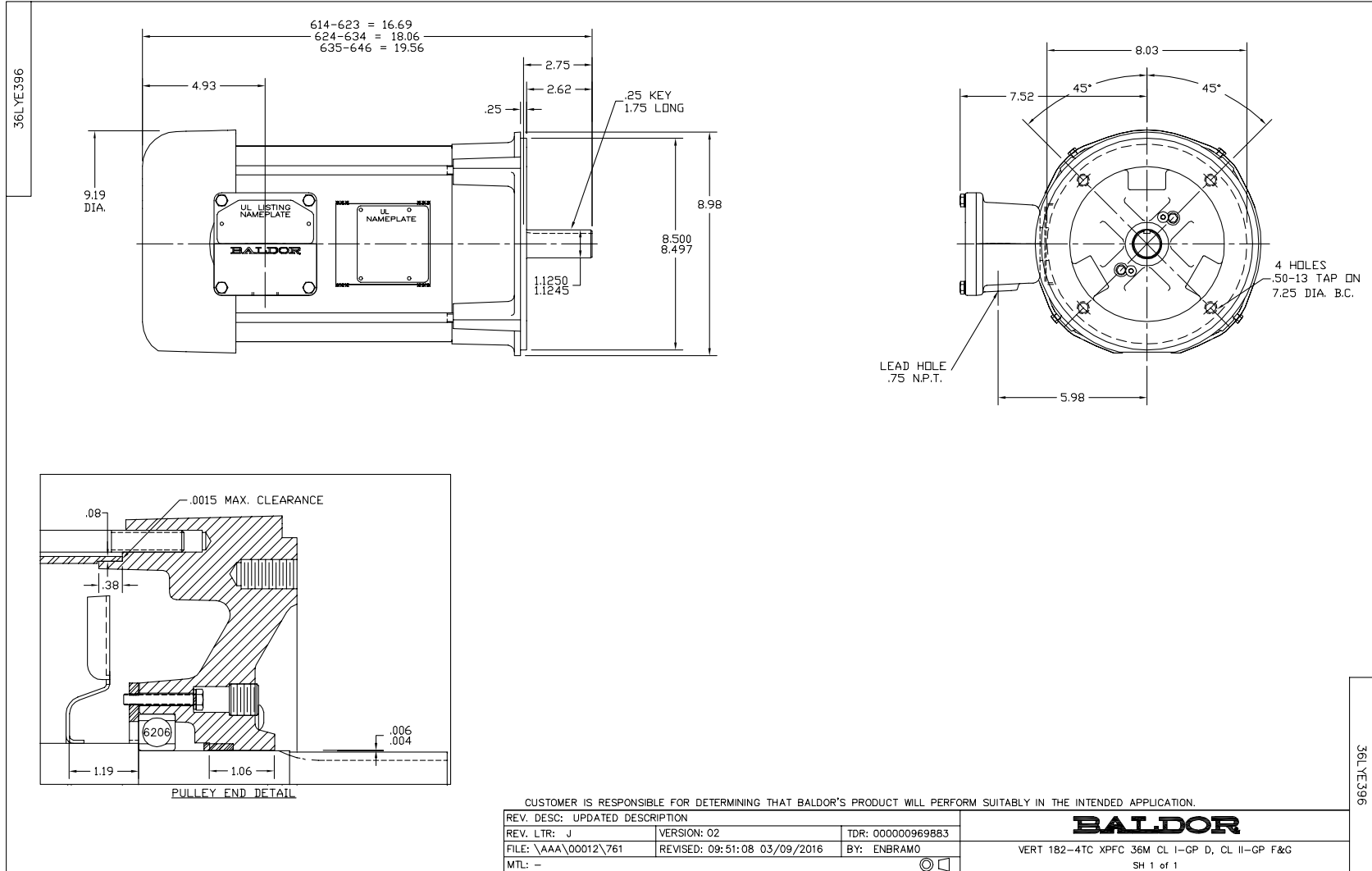
Nameplate Data				380 V, 50 Hz: High Voltage Connection	
Rated Output (HP)	5//3			Full Load Torque	5.5 LB-FT
Volts	230/460//190/380			Start Configuration	direct on line
Full Load Amps	11.8/5.9//8.8/4.4			Breakdown Torque	31.6 LB-FT
R.P.M.	3450//2900			Pull-up Torque	25 LB-FT
Hz	60//50	Phase	3	Locked-rotor Torque	29.2 LB-FT
NEMA Design Code	A	KVA Code	L	Starting Current	54.3 A
Service Factor (S.F.)	1			No-load Current	1.64 A
NEMA Nom. Eff.	88.5	Power Factor	91	Line-line Res. @ 25°C	2.27 Ω
Rating - Duty	40C AMB-CONT			Temp. Rise @ Rated Load	48°C
				Locked-rotor Power Factor	51
				Rotor inertia	0.134 LB-FT ²

Load Characteristics 380 V, 50 Hz, 3 HP

% of Rated Load	25	50	75	100	125	150
Power Factor	53	74	84	88	91	92
Efficiency	80.5	86.8	88.3	88.1	87.1	86.1
Speed	2976	2952	2928	2899	2871	2840
Line amperes	1.99	2.66	3.48	4.42	5.39	6.45

Performance Graph at 380V, 50Hz, 3.0HP Typical performance - Not guaranteed values





CD0005



LOW VOLTAGE
(2Y)



LINE

HIGH VOLTAGE
(1Y)



LINE

NOTES:

1. INTERCHANGE ANY TWO LINE LEADS TO REVERSE ROTATION.
2. OPTIONAL THERMOSTATS ARE PROVIDED WHEN SPECIFIED.
3. ACTUAL NUMBER OF INTERNAL PARALLEL CIRCUITS MAY BE A MULTIPLE OF THOSE SHOWN ABOVE.
4. LEAD COLORS ARE OPTIONAL. LEADS MUST ALWAYS BE NUMBERED AS SHOWN.

REV. DESC: REVISE TO SHOW OPTIONAL COLORS			
REV. LTR: E	BY: JLP	REVISED: 01/19/99 10:15	TDR: 0171435
900000		FILE: AAA00005140	MDL: -
		MTL: -	

BALDOR ELECTRIC Co.

3PH, DV, 9 LEADS

CD0005