

BALDOR® • RELIANCE 

Product Information Packet

VFSWDM3541-E

.75HP,3500RPM,3PH,60HZ,56C,3520M,TENV,F1

| Part Detail | | | | | | | |
|-------------|---------|-------------|------------|-------------|---|---------------|------------|
| Revision: | D | Status: | PRD/A | Change #: | | Proprietary: | No |
| Type: | AC | Elec. Spec: | 35WGP070 | CD Diagram: | CD0005 | Mfg Plant: | |
| Mech. Spec: | 35E4656 | Layout: | 35LYE4656 | Poles: | 02 | Created Date: | 06-21-2017 |
| Base: | N | Eff. Date: | 06-15-2018 | Leads: | 9#18 15" lead length,0#0 dbl dip & bake,0#0 phase insulaY | | |

| Specs | | | |
|---------------------------------|-------------------------|--------------------------------|------------------------|
| Catalog Number: | VFSWDM3541-E | Inverter Code: | Inverter Ready |
| Enclosure: | TENV | KVA Code: | M |
| Frame: | 56C | Lifting Lugs: | No Lifting Lugs |
| Frame Material: | Stainless Steel | Locked Bearing Indicator: | Locked Bearing |
| Output @ Frequency: | .750 HP @ 60 HZ | Motor Finish: | UNPAINTED |
| Synchronous Speed @ Frequency: | 3600 RPM @ 60 HZ | Motor Lead Quantity/Wire Size: | @ 0 AWG |
| Voltage @ Frequency: | 208.0 V @ 60 HZ | | 9 @ 18 AWG |
| | 230.0 V @ 60 HZ | Motor Lead Exit: | Ko Box |
| | 460.0 V @ 60 HZ | Motor Lead Termination: | Flying Leads |
| XP Class and Group: | None | Motor Type: | 3520M |
| XP Division: | Not Applicable | Mounting Arrangement: | F1 |
| Agency Approvals: | UR | Power Factor: | 85 |
| | CSA | Product Family: | WD All SS Encapsulated |
| Auxillary Box: | No Auxillary Box | Pulley End Bearing Type: | Sealed Bearing |
| Auxillary Box Lead Termination: | None | Pulley Face Code: | C-Face |
| Base Indicator: | No Mounting | Pulley Shaft Indicator: | Standard |
| Bearing Grease Type: | Polyrex EM (-20F +300F) | Rodent Screen: | None |
| Blower: | None | RoHS Status: | ROHS COMPLIANT |

| | | | |
|---------------------------------------|---------------------------|------------------------------------|---------------------|
| Current @ Voltage: | 1.000 A @ 460.0 V | Shaft Extension Location: | Pulley End |
| | 2.000 A @ 230.0 V | Shaft Ground Indicator: | No Shaft Grounding |
| | 2.100 A @ 208.0 V | Shaft Rotation: | Reversible |
| Design Code: | B | Shaft Slinger Indicator: | No Slinger |
| Drip Cover: | No Drip Cover | Speed Code: | Single Speed |
| Duty Rating: | CONT | Motor Standards: | NEMA |
| Electrically Isolated Bearing: | Not Electrically Isolated | Starting Method: | Direct on line |
| Feedback Device: | NO FEEDBACK | Thermal Device - Bearing: | None |
| Front Face Code: | Standard | Thermal Device - Winding: | None |
| Front Shaft Indicator: | None | Vibration Sensor Indicator: | No Vibration Sensor |
| Heater Indicator: | No Heater | Winding Thermal 1: | None |
| Insulation Class: | H | Winding Thermal 2: | None |

| | | | | | | | | | | |
|----------------------------|---------------|--|-------------|-----------|------------|------|--|--------------|-----------------------|-----|
| Nameplate NP1951A01 | | | | | | | | | | |
| CAT.NO. | VFSWDM3541-E | | | | | | | | | |
| SPEC. | 35E4656P070G1 | | | | | | | | | |
| HP | .75 | | | | | | | | | |
| VOLTS | 208-230/460 | | | | | | | | | |
| AMP | 2.1-2/1 | | | | | | | | | |
| RPM | 3500 | | | | | | | | | |
| FRAME | 56C | | | | HZ | 60 | | | PH | 3 |
| SER.F. | 1.15 | | CODE | M | DES | B | | CLASS | H | |
| NEMA-NOM-EFF | 86.5 | | | PF | 85 | | | | | |
| RATING | 40C AMB-CONT | | | | | | | | | |
| CC | | | | | | | | | USABLE AT 208V | 2.1 |
| DE | 6205 | | | | ODE | 6205 | | | | |
| ENCL | TENV | | SN | | | | | | | |
| | 4:1CT, 10:1VT | | | | | | | | | |
| | | | | | | | | | | |
| | | | | | | | | | | |

| Parts List | | |
|-------------|--|----------|
| Part Number | Description | Quantity |
| SA343329 | SA 35E4656P070G1 | 1.000 EA |
| RA331783 | RA 35E4656P070G1 | 1.000 EA |
| RM1070A81 | O-RING, -043 VITON/FKM .070CS X 3.489ID | 1.000 EA |
| 11XW1032G08 | 10-32 X .50, TAPTITE II, HEX WSHR SLTD U | 1.000 EA |
| HW3001B02 | BRASS CUP WASHER W/GROUND SYMBOL TAB, | 1.000 EA |
| 35EP1940A03 | FRONT TENV 205 BRG (STAINLESS) | 1.000 EA |
| RM1070A25 | O-RING, VITON/FKM .070CS X 6.190ID | 1.000 EA |
| HA4054 | SHORT T-DRAIN FITTING, .125" N.P.T. | 1.000 EA |
| HW4500S33 | 1/8 NPT STAINLESS #304 SS PLUG | 3.000 EA |
| HW5100A05 | WVY WSHR F/205 & 304 BRGS | 1.000 EA |
| 35EP1935A02 | PULLEY 56C/143-5TC ENCL 205 BRG | 1.000 EA |
| RM1070A25 | O-RING, VITON/FKM .070CS X 6.190ID | 1.000 EA |
| HW4600G01 | .984X1.499X.25 VITON SLICK SERIES LIP | 1.000 EA |
| HW4600E99 | 25 X 42 X 6 AFX SEAL, GRAPHITE INFUSED V | 1.000 EA |
| HW4500S33 | 1/8 NPT STAINLESS #304 SS PLUG | 3.000 EA |
| HA4054 | SHORT T-DRAIN FITTING, .125" N.P.T. | 1.000 EA |
| RM1070A26 | O-RING,4.5MM I.D.X1.5MM C.S. (VITON) | 4.000 EA |
| RM1070A81 | O-RING, -043 VITON/FKM .070CS X 3.489ID | 1.000 EA |
| HW2502D13 | SS KEY, 3/16 SQ X 1.375 | 1.000 EA |
| HA7000A04 | KEY RETAINER 0.625 DIA SHAFTS | 1.000 EA |
| MJ5001A27 | 32220KN GRAY SEALER *MIN BUY 4 QTS=1GAL | 0.005 QT |
| MJ5004A93 | FOOD GRADE (H1 RATED) ANTISEIZE THRD COM | 0.005 EA |
| MJ1000A02 | GREASE, POLYREX EM EXXON (USe 4824-15A) | 0.050 LB |
| WD5603A01 | KIT, CLOSED-END LEAD SPLICE (18-14GA) | 1.000 EA |

| Parts List (continued) | | |
|-------------------------------|---|-----------------|
| Part Number | Description | Quantity |
| HA3100FS11 | THRUBOLT, 10-32 X 8.500 SS FOOD SAFE | 4.000 EA |
| 36PA1000 | PKG GRP, PRINT PK1016A06 | 1.000 EA |
| PK3082 | STYROFOAM CRADLE | 1.000 EA |
| MN416A01 | TAG-INSTAL-MAINT no wire (1200/bx) 5/18 | 1.000 EA |
| HA5027A07 | 85XU1208S08 FACE DRAIN PINS BAGGED | 1.000 EA |
| FE-0000001 | ZRTG FE ASSEMBLY | 1.000 EA |
| PE-0000002 | ZRTG PE ASSEMBLY | 1.000 EA |

AC Induction Motor Performance Data

Record # 20224 - Typical performance - not guaranteed values

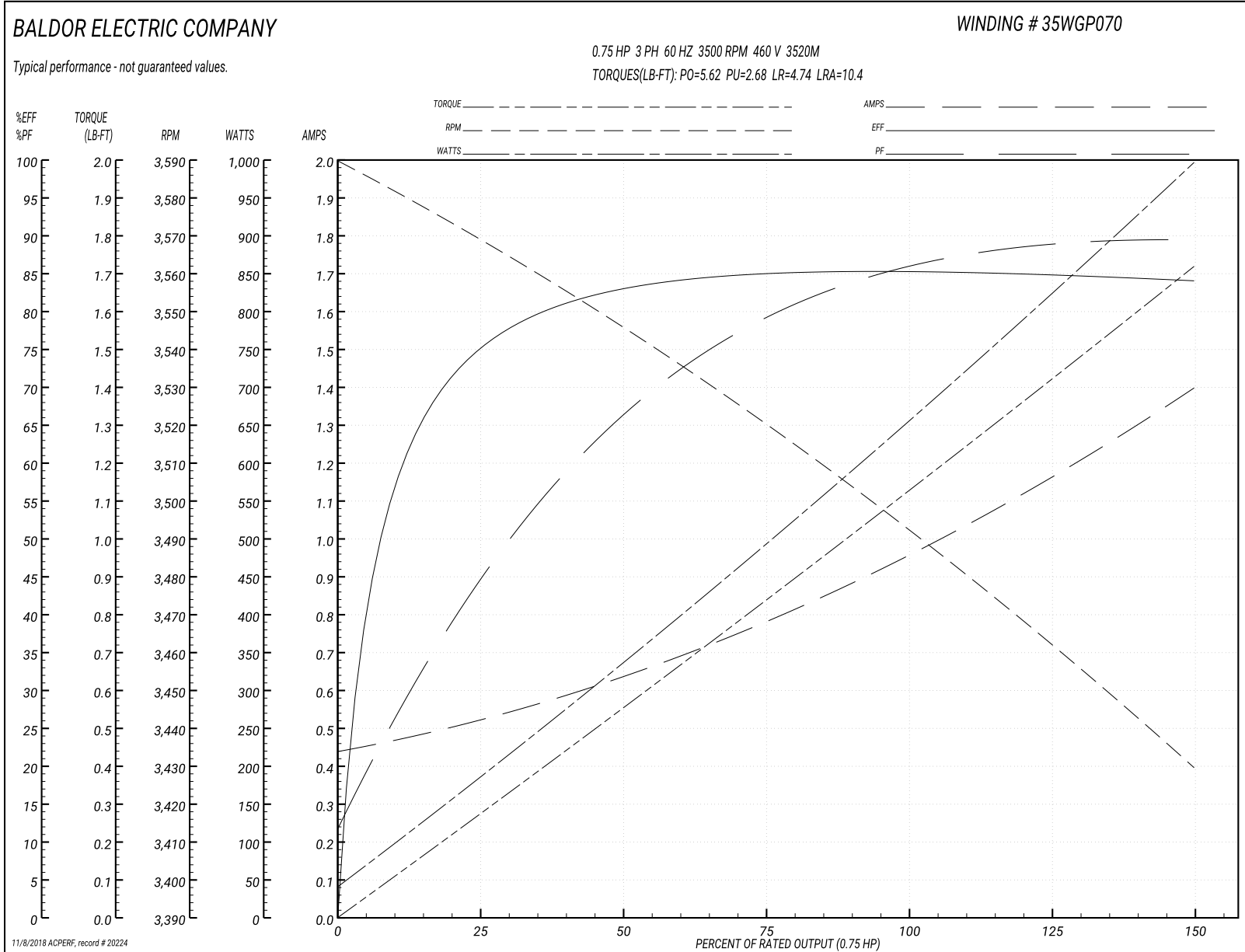
| | | |
|-------------------------------|--------------------|------------------------|
| Winding: 35WGP070-R001 | Type: 3520M | Enclosure: TEFC |
|-------------------------------|--------------------|------------------------|

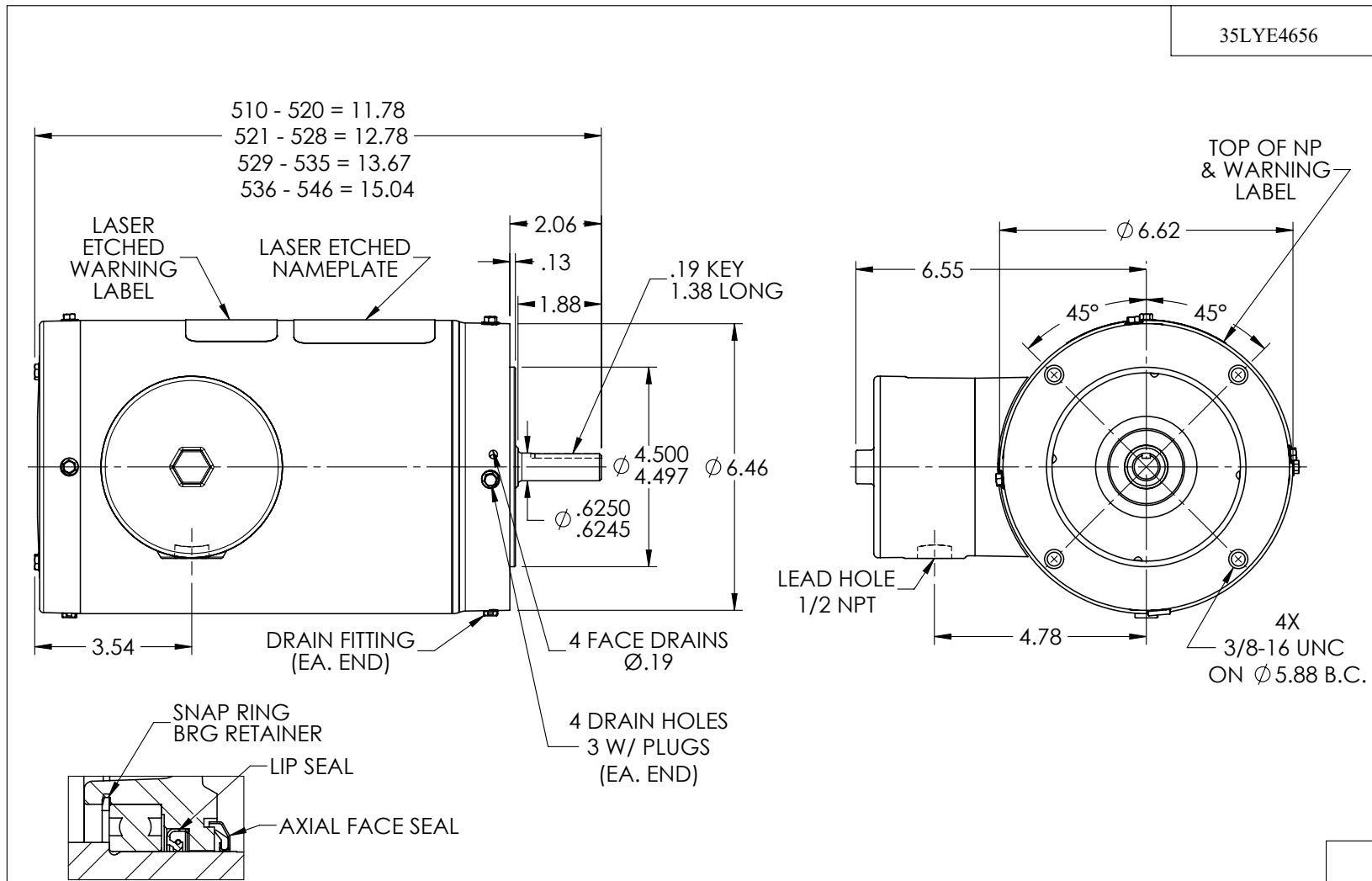
| Nameplate Data | | | | 460 V, 60 Hz: High Voltage Connection | |
|-----------------------|--------------|--------------|----|--|----------------|
| Rated Output (HP) | .75 | | | Full Load Torque | 1.13 LB-FT |
| Volts | 208-230/460 | | | Start Configuration | direct on line |
| Full Load Amps | 2.1-2/1 | | | Breakdown Torque | 5.62 LB-FT |
| R.P.M. | 3500 | | | Pull-up Torque | 2.68 LB-FT |
| Hz | 60 | Phase | 3 | Locked-rotor Torque | 4.74 LB-FT |
| NEMA Design Code | B | KVA Code | M | Starting Current | 10.4 A |
| Service Factor (S.F.) | 1.15 | | | No-load Current | 0.45 A |
| NEMA Nom. Eff. | 86.5 | Power Factor | 85 | Line-line Res. @ 25°C | 16.6 Ω |
| Rating - Duty | 40C AMB-CONT | | | Temp. Rise @ Rated Load | 53°C |
| S.F. Amps | | | | Temp. Rise @ S.F. Load | 64°C |

Load Characteristics 460 V, 60 Hz, 0.75 HP

| % of Rated Load | 25 | 50 | 75 | 100 | 125 | 150 | S.F. |
|-----------------|-------|-------|-------|-------|------|------|------|
| Power Factor | 47 | 67 | 79 | 85 | 88 | 90 | 87 |
| Efficiency | 77.9 | 85 | 86.8 | 86.8 | 86 | 84.7 | 86.3 |
| Speed | 3570 | 3547 | 3519 | 3492 | 3462 | 3430 | 3474 |
| Line amperes | 0.509 | 0.626 | 0.788 | 0.966 | 1.17 | 1.39 | 1.09 |

Performance Graph at 460V, 60Hz, 0.75HP Typical performance - Not guaranteed values





PULLEY END DETAIL

CUSTOMER IS RESPONSIBLE FOR DETERMINING THAT BALDOR'S PRODUCT WILL PERFORM SUITABLY IN THE INTENDED APPLICATION

| | | | |
|-------------------------------------|-------------|------------------------------|-------------------|
| REV. DESC: UPDATE PULLEY END DETAIL | | | |
| REV: A | VERSION: 01 | REVISED: 02:27:07 10/16/2017 | TDR: 000001028033 |
| 35LYE4656 | | MODEL NO. 35LYE4656 | REF: - |
| | | BY: ENANGGO | |

BALDOR

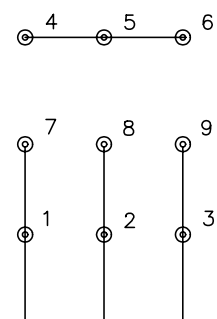
STD VER 56C TENV 35M WD11/12

35LYE4656

CD0005

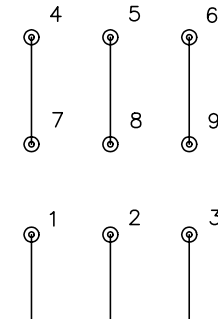


LOW VOLTAGE
(2Y)



LINE

HIGH VOLTAGE
(1Y)



LINE

NOTES:

1. INTERCHANGE ANY TWO LINE LEADS TO REVERSE ROTATION.
2. OPTIONAL THERMOSTATS ARE PROVIDED WHEN SPECIFIED.
3. ACTUAL NUMBER OF INTERNAL PARALLEL CIRCUITS MAY BE A MULTIPLE OF THOSE SHOWN ABOVE.
4. LEAD COLORS ARE OPTIONAL. LEADS MUST ALWAYS BE NUMBERED AS SHOWN.

| | | | |
|---|---------|-------------------------|--------------|
| REV. DESC: REVISE TO SHOW OPTIONAL COLORS | | | |
| REV. LTR: E | BY: JLP | REVISED: 01/19/99 10:15 | TDR: 0171435 |
| 900000 | | FILE: AAA00005140 | MDL: - |
| | | MTL: - | |

BALDOR ELECTRIC Co.

3PH, DV, 9 LEADS

CD0005