

BALDOR® • RELIANCE 

Product Information Packet

VM3537-5

.5HP,3450RPM,3PH,60HZ,56C,3410M,TEFC,F1

| Part Detail | | | | | | | |
|-------------|--------|-------------|------------|-------------|--------|---------------|----|
| Revision: | U | Status: | PRD/A | Change #: | | Proprietary: | No |
| Type: | AC | Elec. Spec: | 34WG0487 | CD Diagram: | CD0006 | Mfg Plant: | |
| Mech. Spec: | 34A063 | Layout: | 34LYA063 | Poles: | 02 | Created Date: | |
| Base: | N | Eff. Date: | 02-15-2018 | Leads: | 3#18 | | |

| Specs | | | |
|---------------------------------|-------------------------|--------------------------------|--------------------|
| Catalog Number: | VM3537-5 | KVA Code: | J |
| Enclosure: | TEFC | Lifting Lugs: | No Lifting Lugs |
| Frame: | 56C | Locked Bearing Indicator: | Locked Bearing |
| Frame Material: | Steel | Motor Lead Quantity/Wire Size: | 3 @ 18 AWG |
| Output @ Frequency: | .500 HP @ 60 HZ | Motor Lead Exit: | Ko Box |
| Synchronous Speed @ Frequency: | 3600 RPM @ 60 HZ | Motor Lead Termination: | Flying Leads |
| Voltage @ Frequency: | 575.0 V @ 60 HZ | Motor Type: | 3410M |
| XP Class and Group: | None | Mounting Arrangement: | F1 |
| XP Division: | Not Applicable | Power Factor: | 63 |
| Agency Approvals: | UR | Product Family: | General Purpose |
| | CSA | Pulley End Bearing Type: | Ball |
| Auxillary Box: | No Auxillary Box | Pulley Face Code: | C-Face |
| Auxillary Box Lead Termination: | None | Pulley Shaft Indicator: | Standard |
| Base Indicator: | No Mounting | Rodent Screen: | None |
| Bearing Grease Type: | Polyrex EM (-20F +300F) | RoHS Status: | ROHS COMPLIANT |
| Blower: | None | Shaft Extension Location: | Pulley End |
| Current @ Voltage: | .800 A @ 575.0 V | Shaft Ground Indicator: | No Shaft Grounding |
| Design Code: | B | Shaft Rotation: | Reversible |

| | | | |
|---------------------------------------|---------------------------|------------------------------------|---------------------|
| Drip Cover: | No Drip Cover | Shaft Slinger Indicator: | No Slinger |
| Duty Rating: | CONT | Speed Code: | Single Speed |
| Electrically Isolated Bearing: | Not Electrically Isolated | Motor Standards: | NEMA |
| Feedback Device: | NO FEEDBACK | Starting Method: | Direct on line |
| Front Face Code: | Standard | Thermal Device - Bearing: | NONE (OLD) |
| Front Shaft Indicator: | None | Thermal Device - Winding: | None |
| Heater Indicator: | No Heater | Vibration Sensor Indicator: | No Vibration Sensor |
| Insulation Class: | B | Winding Thermal 1: | None |
| Inverter Code: | Not Inverter | Winding Thermal 2: | None |

| | | | | | | | | | | |
|--------------------------|--------------|--|-------------|----|------------|------|--|--------------|-----------------------|---|
| Nameplate NP1256L | | | | | | | | | | |
| CAT.NO. | VM3537-5 | | | | | | | | | |
| SPEC. | 34A63-487 | | | | | | | | | |
| HP | .5 | | | | | | | | | |
| VOLTS | 575 | | | | | | | | | |
| AMP | .8 | | | | | | | | | |
| RPM | 3450 | | | | | | | | | |
| FRAME | 56C | | | | HZ | 60 | | | PH | 3 |
| SER.F. | 1.25 | | CODE | J | DES | B | | CLASS | B | |
| NEMA-NOM-EFF | 68 | | PF | 63 | | | | | | |
| RATING | 40C AMB-CONT | | | | | | | | | |
| CC | | | | | | | | | USABLE AT 208V | |
| DE | 6203 | | | | ODE | 6203 | | | | |
| ENCL | TEFC | | SN | | | | | | | |
| | SFA 1 | | | | | | | | | |

| Parts List | | |
|---------------|--|----------|
| Part Number | Description | Quantity |
| SA009870 | SA 34A63-487 | 1.000 EA |
| RA006315 | RA 34A63-487 | 1.000 EA |
| NS2512A01 | INSULATOR, CONDUIT BOX X | 1.000 EA |
| 34CB3002A | CB CAST W/.88 DIA HOLE | 1.000 EA |
| 34GS1029A01 | GASKET, CONDUIT BOX | 1.000 EA |
| 51XB1016A07 | 10-16 X 7/16 HXWSSLD SERTYB | 2.000 EA |
| 11XW1032G06 | 10-32 X .38, TAPTITE II, HEX WSHR SLTD U | 1.000 EA |
| 34EP3102A01SP | FR ENDPLATE, MACH | 1.000 EA |
| HW5100A03 | WAVY WASHER (W1543-017) | 1.000 EA |
| 34EP3300A24SP | PU ENDPLATE, MACH | 1.000 EA |
| 51XN1032A20 | 10-32 X 1 1/4 HX WS SL SR | 2.000 EA |
| 34FN3002A01SP | EXTERNAL FAN, PLASTIC, .637/.639 HUB W/ | 1.000 EA |
| 51XW1032A06 | 10-32 X .38, TAPTITE II, HEX WSHR SLTD S | 3.000 EA |
| 34CB4517 | CB LID 4 MTG HOLES .22 DIA STAMPED, FOR | 1.000 EA |
| 34GS1031A01 | GASKET, FLAT CONDUIT BOX LID (LEXIDE) | 1.000 EA |
| 51XW0832A07 | 8-32 X .44, TAPTITE II, HEX WSHR SLTD SE | 4.000 EA |
| HW2501D13 | KEY, 3/16 SQ X 1.375 | 1.000 EA |
| 34FH4002A01SP | IEC FH NO GREASER PRIMED | 1.000 EA |
| HA7000A04 | KEY RETAINER 0.625 DIA SHAFTS | 1.000 EA |
| MG1000G27 | MED CHARCOAL METALLIC GREY 400-0096 | 0.014 GA |
| 85XU0407S04 | 4X1/4 U DRIVE PIN STAINLESS | 2.000 EA |
| HA3100A12 | THRUBOLT 10-32 X 7.375 | 4.000 EA |
| MN416A01 | TAG-INSTAL-MAINT no wire (1200/bx) 5/18 | 1.000 EA |
| LB1119N | WARNING LABEL | 1.000 EA |

| Parts List (continued) | | |
|-------------------------------|--|-----------------|
| Part Number | Description | Quantity |
| LC0006 | CONNECTION LABEL | 1.000 EA |
| NP1256L | ALUM UL CSA CC INDUSTRIAL MOTOR A60 | 1.000 EA |
| 34PA1002 | PKG GRP, PRINT PK1001A01 | 1.000 EA |
| PK3083T | STYROFOAM PACKING CRADLE | 1.000 EA |
| PK3088 | MICROFOAM, 8"X"8 PERF. SHEETS 5,400/RL | 1.000 EA |

AC Induction Motor Performance Data
Record # 6584 - Typical performance - not guaranteed values

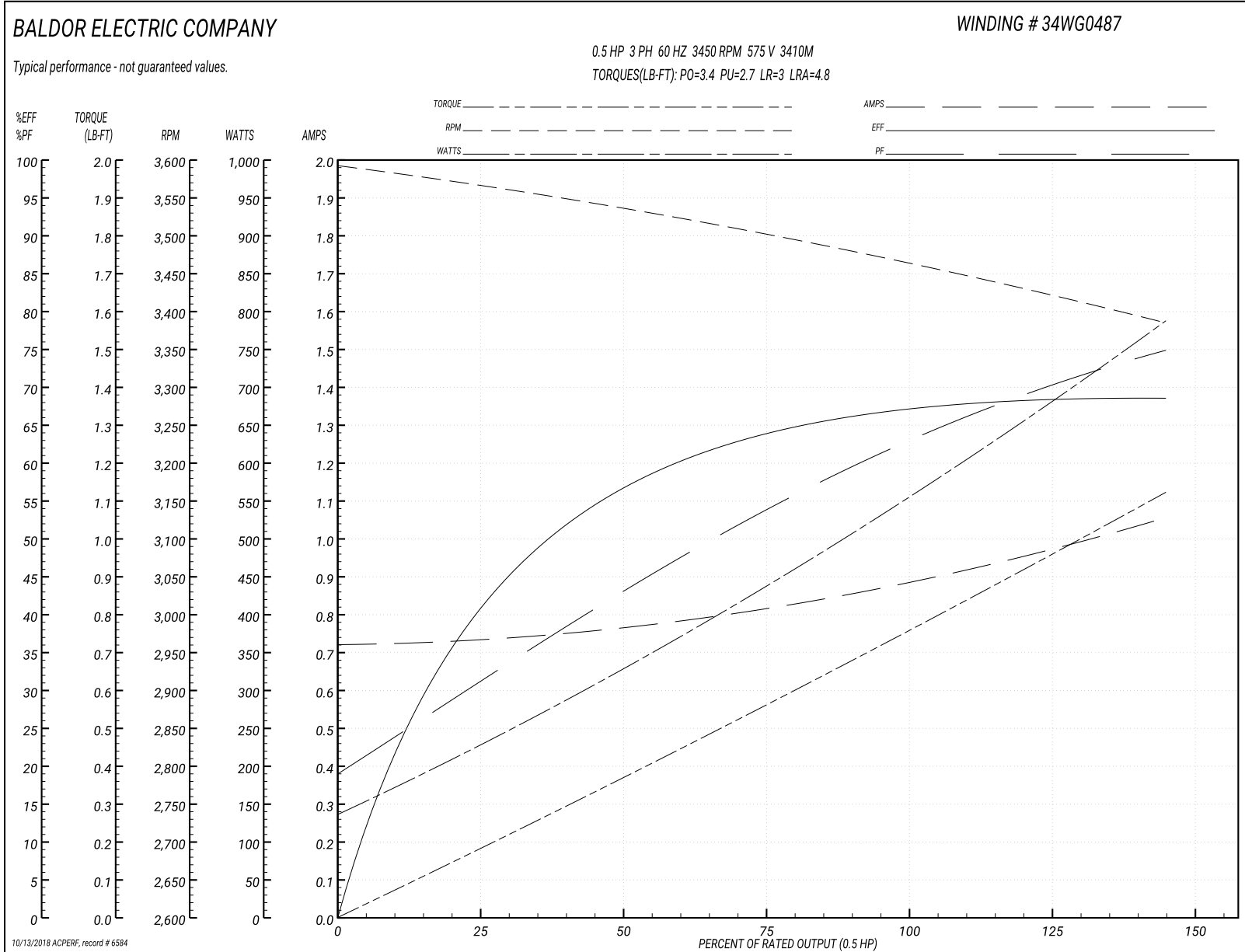
| | | |
|-------------------------------|--------------------|------------------------|
| Winding: 34WG0487-R001 | Type: 3410M | Enclosure: TEFC |
|-------------------------------|--------------------|------------------------|

| Nameplate Data | | | | 575 V, 60 Hz: Single Voltage Motor | |
|-----------------------|--------------|--------------|----|---------------------------------------|----------------|
| Rated Output (HP) | .5 | | | Full Load Torque | 0.75 LB-FT |
| Volts | 575 | | | Start Configuration | direct on line |
| Full Load Amps | .8 | | | Breakdown Torque | 3.4 LB-FT |
| R.P.M. | 3450 | | | Pull-up Torque | 2.7 LB-FT |
| Hz | 60 | Phase | 3 | Locked-rotor Torque | 3 LB-FT |
| NEMA Design Code | B | KVA Code | J | Starting Current | 4.8 A |
| Service Factor (S.F.) | 1.25 | | | No-load Current | 0.72 A |
| NEMA Nom. Eff. | 68 | Power Factor | 63 | Line-line Res. @ 25°C | 56.4 Ω |
| Rating - Duty | 40C AMB-CONT | | | Temp. Rise @ Rated Load | 58°C |
| S.F. Amps | 1 | | | Temp. Rise @ S.F. Load | 69°C |

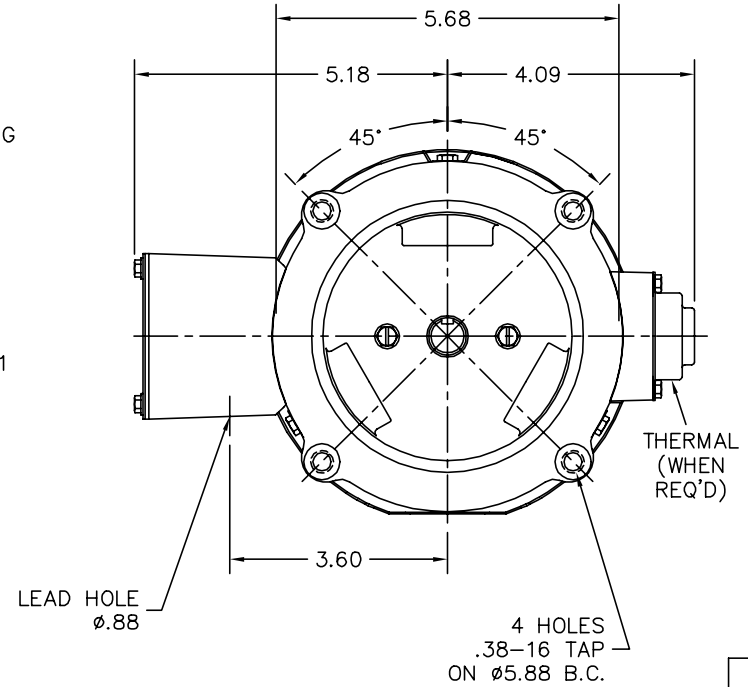
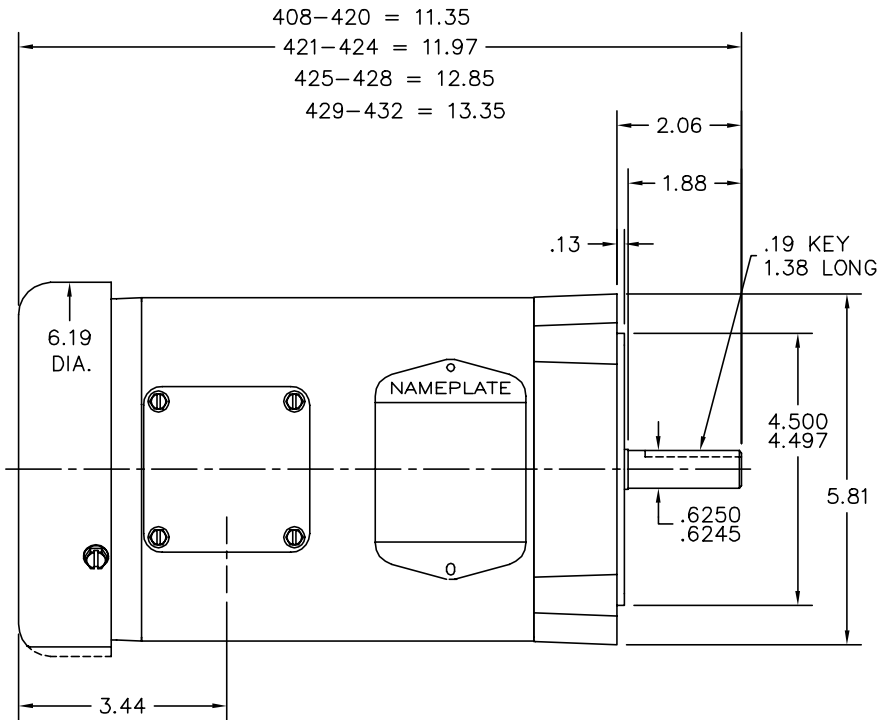
Load Characteristics 575 V, 60 Hz, 0.5 HP

| % of Rated Load | 25 | 50 | 75 | 100 | 125 | 150 | S.F. |
|-----------------|------|------|------|------|------|------|------|
| Power Factor | 33 | 44 | 56 | 64 | 70 | 77 | 70 |
| Efficiency | 41.4 | 56.3 | 64 | 67.2 | 68.4 | 68.5 | 68.4 |
| Speed | 3563 | 3535 | 3501 | 3466 | 3432 | 3381 | 3432 |
| Line amperes | 0.73 | 0.78 | 0.81 | 0.88 | 0.96 | 1.06 | 0.96 |

Performance Graph at 575V, 60Hz, 0.5HP Typical performance - Not guaranteed values



34LYA063



CUSTOMER IS RESPONSIBLE FOR DETERMINING THAT BALDOR'S PRODUCT WILL PERFORM SUITABLY IN THE INTENDED APPLICATION.

| | | |
|-------------------------|------------------------------|-------------------|
| REV. DESC: UPDATE PARTS | | |
| REV. LTR: L | VERSION: 02 | TDR: 000000998268 |
| FILE: \AAA\00000\724 | REVISED: 02:36:11 09/27/2016 | BY: ENBENBO |
| MTL: - | ☉ □ | |

BALDOR

STD VERT 34M NEMA 56C TEFC

SH 1 of 1

34LYA063

CD0006



NOTES:

1. THREE LEAD MOTOR MAY BE EITHER WYE CONNECTED OR DELTA CONNECTED.
2. INTERCHANGE ANY TWO LINE LEADS TO REVERSE ROTATION.
3. OPTIONAL THERMOSTATS ARE PROVIDED WHEN SPECIFIED.
4. ACTUAL NUMBER OF INTERNAL PARALLEL CIRCUITS MAY VARY.
5. LEAD COLORS ARE OPTIONAL. LEADS MUST BE NUMBERED AS SHOWN.

| | | | |
|---|---------|------------------------|--------------|
| REV. DESC: REVISE TO SHOW OPTIONAL COLORS | | | |
| REV. LTR: D | BY: JLP | REVISED: 01/21/99 4:02 | TDR: 0171435 |
| 9000D | | FILE: AAA00005141 | MDL: - |
| | | MTL: - | |

BALDOR ELECTRIC Co.

3PH, SV, 3 LEADS, WYE OR DELTA CONNECTED

CD0006