

BALDOR® • RELIANCE 

Product Information Packet

VM3542-57

.75HP, 1425 IP54RPM, 3PH, 50HZ, 56C, 3428M, TE

Part Detail							
Revision:	L	Status:	PRD/A	Change #:		Proprietary:	No
Type:	AC	Elec. Spec:	34WG3996	CD Diagram:	CD0022	Mfg Plant:	
Mech. Spec:	34A063	Layout:	34LYA063	Poles:	04	Created Date:	09-08-2011
Base:	N	Eff. Date:	02-15-2018	Leads:	6#18		

Specs			
Catalog Number:	VM3542-57	Insulation Class:	F
Enclosure:	TEFC	Inverter Code:	Not Inverter
Frame:	56C	KVA Code:	L
Frame Material:	Steel	Lifting Lugs:	No Lifting Lugs
Output @ Frequency:	.750 HP @ 50 HZ	Locked Bearing Indicator:	Locked Bearing
Synchronous Speed @ Frequency:	1500 RPM @ 50 HZ	Motor Lead Quantity/Wire Size:	6 @ 18 AWG
Voltage @ Frequency:	400.0 V @ 50 HZ	Motor Lead Exit:	Ko Box
	230.0 V @ 50 HZ	Motor Lead Termination:	Flying Leads
XP Class and Group:	None	Motor Type:	3428M
XP Division:	Not Applicable	Mounting Arrangement:	F1
Agency Approvals:	UR	Power Factor:	59
	WEEE	Product Family:	General Purpose
	CSA	Pulley End Bearing Type:	Ball
	CE	Pulley Face Code:	C-Face
Auxillary Box:	No Auxillary Box	Pulley Shaft Indicator:	Standard
Auxillary Box Lead Termination:	None	Rodent Screen:	None
Base Indicator:	No Mounting	RoHS Status:	ROHS COMPLIANT
Bearing Grease Type:	Polyrex EM (-20F +300F)	Shaft Extension Location:	Pulley End

Blower:	None	Shaft Ground Indicator:	No Shaft Grounding
Current @ Voltage:	1.800 A @ 400.0 V	Shaft Rotation:	Reversible
	3.100 A @ 230.0 V	Shaft Slinger Indicator:	No Slinger
Design Code:	B	Speed Code:	Single Speed
Drip Cover:	No Drip Cover	Motor Standards:	NEMA
Duty Rating:	CONT	Starting Method:	Direct on line
Electrically Isolated Bearing:	Not Electrically Isolated	Thermal Device - Bearing:	NONE (OLD)
Feedback Device:	NO FEEDBACK	Thermal Device - Winding:	None
Front Face Code:	Standard	Vibration Sensor Indicator:	No Vibration Sensor
Front Shaft Indicator:	None	Winding Thermal 1:	None
Heater Indicator:	No Heater	Winding Thermal 2:	None

Nameplate NP1372L										
CAT.NO.	VM3542-57									
SPEC.	34A063-3996G2									
HP	.75									
VOLTS	230/400									
AMP	3.1/1.8									
RPM	1425 IP54									
FRAME	56C				HZ	50			PH	3
SER.F.	1.25		CODE	L	DES	B		CL	F	
NEMA-NOM-EFF	75.5		PF	59						
RATING	40C AMB-CONT									
CC									USABLE AT 208V	
DE	6203				ODE	6203				
ENCL	TEFC		SN							
	SFA 3.5/2									

Parts List		
Part Number	Description	Quantity
SA230332	SA 34A063-3996G2	1.000 EA
RA217362	RA 34A063-3996G2	1.000 EA
NS2512A01	INSULATOR, CONDUIT BOX X	1.000 EA
34CB3002A	CB CAST W/.88 DIA HOLE	1.000 EA
34GS1029A01	GASKET, CONDUIT BOX	1.000 EA
51XB1016A07	10-16 X 7/16 HXWSSLD SERTYB	2.000 EA
11XW1032G06	10-32 X .38, TAPTITE II, HEX WSHR SLTD U	1.000 EA
34EP3102A01SP	FR ENDPLATE, MACH	1.000 EA
HW5100A03	WAVY WASHER (W1543-017)	1.000 EA
34EP3300A24SP	PU ENDPLATE, MACH	1.000 EA
51XN1032A20	10-32 X 1 1/4 HX WS SL SR	2.000 EA
34FN3002A01SP	EXTERNAL FAN, PLASTIC, .637/.639 HUB W/	1.000 EA
51XW1032A06	10-32 X .38, TAPTITE II, HEX WSHR SLTD S	3.000 EA
34CB4517	CB LID 4 MTG HOLES .22 DIA STAMPED, FOR	1.000 EA
34GS1031A01	GASKET, FLAT CONDUIT BOX LID (LEXIDE)	1.000 EA
51XW0832A07	8-32 X .44, TAPTITE II, HEX WSHR SLTD SE	4.000 EA
HW2501D13	KEY, 3/16 SQ X 1.375	1.000 EA
34FH4002A01SP	IEC FH NO GREASER PRIMED	1.000 EA
HA7000A04	KEY RETAINER 0.625 DIA SHAFTS	1.000 EA
MG1000G27	MED CHARCOAL METALLIC GREY 400-0096	0.014 GA
85XU0407S04	4X1/4 U DRIVE PIN STAINLESS	2.000 EA
HA4067A01	PUSH IN DRAIN FITTING (BLACK)	1.000 EA
HA4067A01	PUSH IN DRAIN FITTING (BLACK)	1.000 EA
HA3100A45	THRUBOLT 10-32 X 8.875	4.000 EA

Parts List (continued)		
Part Number	Description	Quantity
LB1119N	WARNING LABEL	1.000 EA
LC0034	CONNECTION LABEL	1.000 EA
NP1372L	ALUM UL CSA CE CC	1.000 EA
36PA1000	PKG GRP, PRINT PK1016A06	1.000 EA
PK3083T	STYROFOAM PACKING CRADLE	1.000 EA
PK3088	MICROFOAM, 8"X"8 PERF. SHEETS 5,400/RL	1.000 EA

AC Induction Motor Performance Data

Record # 35183 - Typical performance - not guaranteed values

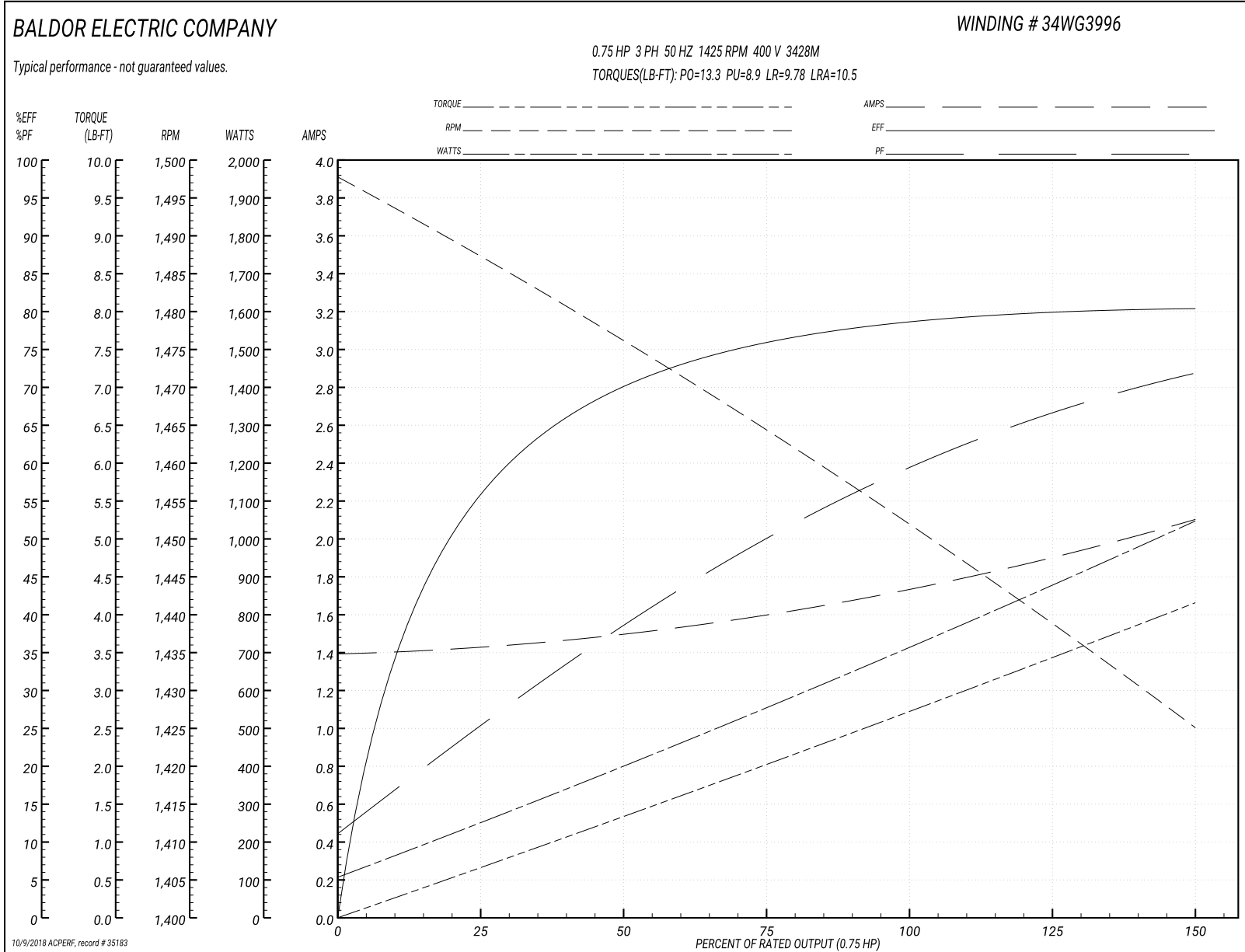
Winding: 34WG3996-R006	Type: 3428M	Enclosure: TEFC
-------------------------------	--------------------	------------------------

Nameplate Data				400 V, 50 Hz: High Voltage Connection	
Rated Output (HP)	.75			Full Load Torque	2.71 LB-FT
Volts	230/400			Start Configuration	direct on line
Full Load Amps	3.1/1.8			Breakdown Torque	13.3 LB-FT
R.P.M.	1425			Pull-up Torque	8.9 LB-FT
Hz	50	Phase	3	Locked-rotor Torque	9.78 LB-FT
NEMA Design Code	B	KVA Code	L	Starting Current	10.5 A
Service Factor (S.F.)	1.25			No-load Current	1.4 A
NEMA Nom. Eff.	75.5	Power Factor	59	Line-line Res. @ 25°C	12.8 Ω
Rating - Duty	40C AMB-CONT			Temp. Rise @ Rated Load	
S.F. Amps	3.5/2			Temp. Rise @ S.F. Load	
				Locked-rotor Power Factor	60
				Rotor inertia	0.0667 LB-FT ²

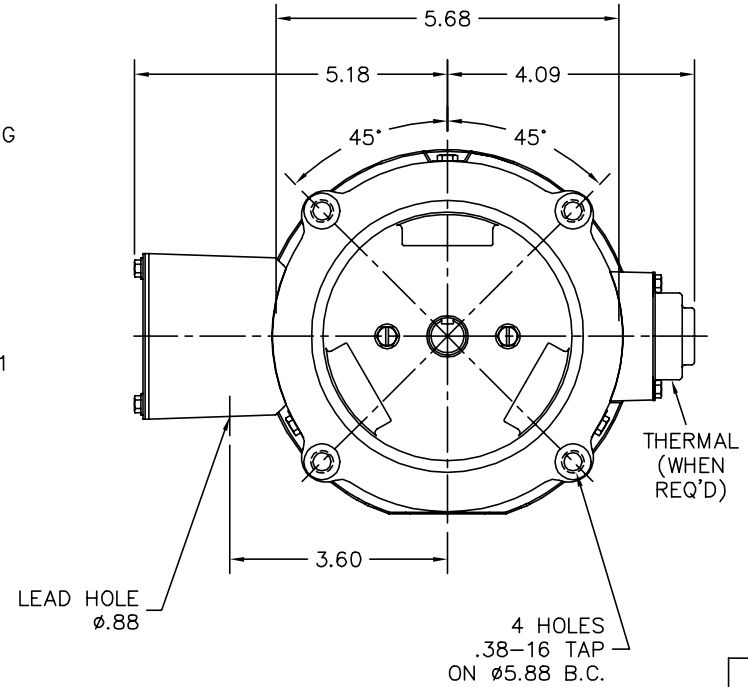
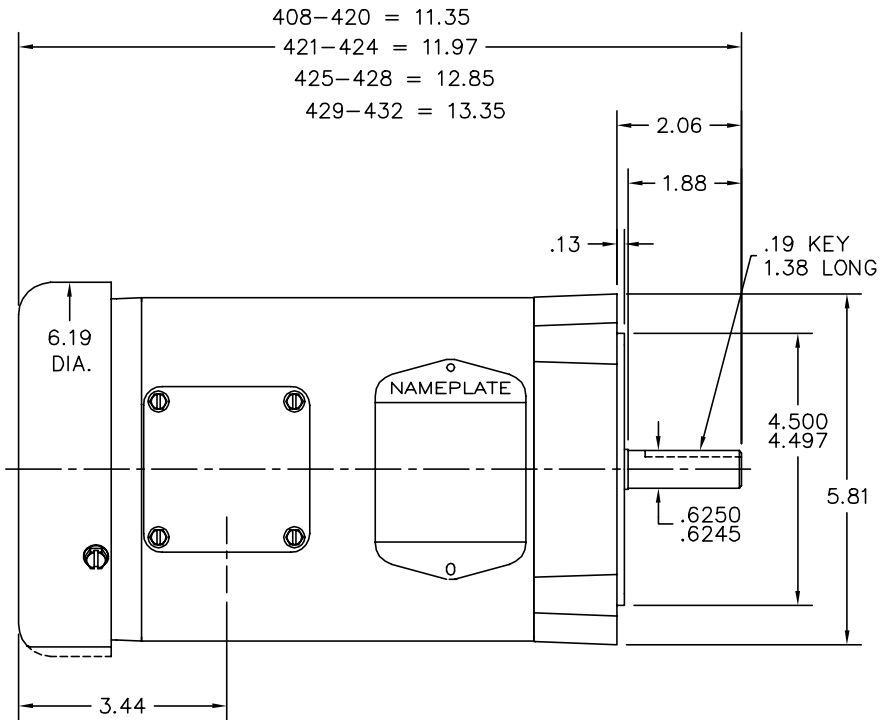
Load Characteristics 400 V, 50 Hz, 0.75 HP

% of Rated Load	25	50	75	100	125	150	S.F.
Power Factor	26	39	50	59	67	72	67
Efficiency	55.9	69.9	76	78.5	80.1	80.4	80.1
Speed	1487	1476	1465	1452	1439	1425	1439
Line amperes	1.42	1.49	1.6	1.74	1.9	2.1	1.9

Performance Graph at 400V, 50Hz, 0.75HP Typical performance - Not guaranteed values



34LYA063



CUSTOMER IS RESPONSIBLE FOR DETERMINING THAT BALDOR'S PRODUCT WILL PERFORM SUITABLY IN THE INTENDED APPLICATION.

REV. DESC: UPDATE PARTS		
REV. LTR: L	VERSION: 02	TDR: 000000998268
FILE: \AAA\00000\724	REVISED: 02:36:11 09/27/2016	BY: ENBENBO
MTL: -	☉ □	

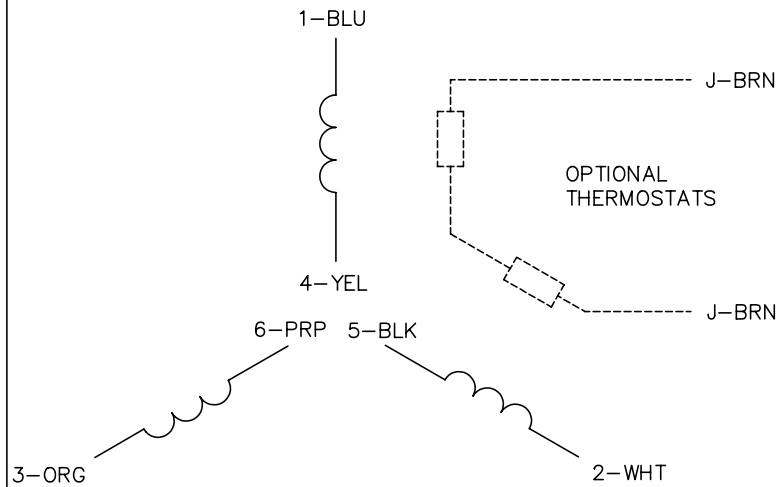
BALDOR

STD VERT 34M NEMA 56C TEFC

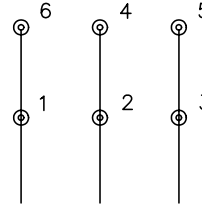
SH 1 of 1

34LYA063

CD0022

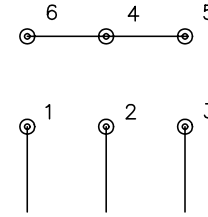


LOW VOLTAGE
(1D)



LINE

HIGH VOLTAGE
(1Y)



LINE

NOTES:

1. INTERCHANGE ANY TWO LINE LEADS TO REVERSE ROTATION.
2. OPTIONAL THERMOSTATS ARE PROVIDED WHEN SPECIFIED.
3. ACTUAL NUMBER OF INTERNAL PARALLEL CIRCUITS MAY BE A MULTIPLE OF THOSE SHOWN ABOVE.
4. LEAD COLORS ARE OPTIONAL. LEADS MUST ALWAYS BE NUMBERED AS SHOWN.

REV. DESC: REVISE TO SHOW OPTIONAL COLORS

REV. LTR: F

BY: JLP

REVISED: 01/21/99 3:54

TDR: 0171435

CD0022

FILE: AAA00005144

MDL: -

MTL: -

BALDOR ELECTRIC Co.

3PH, DV, 6 LEADS, DELTA/WYE CONNECTION

CD0022