

BALDOR • RELIANCE

Customer information packet

VM3543

.75HP, 1140RPM, 3PH, 60HZ, 56C, 3428M, TEFC, F1

Class - None

Division - Not Applicable

Specifications

| | |
|--------------------------------|---|
| Enclosure | TEFC |
| Frame | 56C |
| Frame Material | Steel |
| Frequency | 60.00 Hz |
| Haz Area Class and Group | None |
| Haz Area Division | Not Applicable |
| Motor Letter Type | Three Phase |
| Output @ Frequency | .750 HP @ 60 HZ |
| Phase | 3 |
| Synchronous Speed @ Frequency | 1200 RPM @ 60 HZ |
| Voltage @ Frequency | 460.0 V @ 60 HZ 230.0 V @ 60 HZ 208.0 V @ 60 HZ |
| Agency Approvals | CSA UR |
| Ambient Temperature | 40 °C |
| Auxillary Box | No Auxillary Box |
| Auxillary Box Lead Termination | None |
| Base Indicator | No Mounting |
| Bearing Grease Type | Polyrex EM (-20F +300F) |
| Blower | None |
| Current @ Voltage | 3.300 A @ 208.0 V 3.000 A @ 230.0 V 1.500 A @ 460.0 V |
| Design Code | B |
| Drip Cover | No Drip Cover |
| Duty Rating | CONT |
| Efficiency @ 100% Load | 77.0 % |
| Electrically Isolated Bearing | Not Electrically Isolated |
| Feedback Device | NO FEEDBACK |
| Front Face Code | Standard |
| Front Shaft Indicator | None |

Part detail

| | |
|--------------|------------|
| Revision | AK |
| Type | AC |
| Mech. spec. | 34A063 |
| Base | |
| Status | PRD/A |
| Elec. spec. | 34WGW012 |
| Layout | 34LYA063 |
| Eff. date | 02-10-2025 |
| CD Diagram | CD0005 |
| Poles | 06 |
| Leads | 9#18 |
| Proprietary | False |
| Created date | 01-01-0001 |

| | |
|-------------------------------|---------------------|
| Heater Indicator | No Heater |
| High Voltage Full Load Amps | 1.5 a |
| Insulation Class | B |
| Inverter Code | Not Inverter |
| KVA Code | K |
| Lifting Lugs | No Lifting Lugs |
| Locked Bearing Indicator | Locked Bearing |
| Motor Lead Exit | Ko Box |
| Motor Lead Quantity/Wire Size | 9 @ 18 AWG |
| Motor Lead Termination | Flying Leads |
| Motor Standards | NEMA |
| Motor Type | 3428M |
| Mounting Arrangement | F1 |
| Number of Poles | 6 |
| Overall Length | 12.85 IN |
| Power Factor | 59 |
| Product Family | General Purpose |
| Pulley End Bearing Type | Ball |
| Pulley Face Code | C-Face |
| Pulley Shaft Indicator | Standard |
| Rodent Screen | None |
| RoHS Status | ROHS COMPLIANT |
| Service Factor | 1.15 |
| Shaft Diameter | 0.625 IN |
| Shaft Extension Location | Pulley End |
| Shaft Ground Indicator | No Shaft Grounding |
| Shaft Rotation | Reversible |
| Shaft Slinger Indicator | No Slinger |
| Speed | 1140 rpm |
| Speed Code | Single Speed |
| Starting Method | Direct on line |
| Thermal Device - Bearing | None |
| Thermal Device - Winding | None |
| Vibration Sensor Indicator | No Vibration Sensor |

Winding Thermal 1

None

Winding Thermal 2

None

Nameplate

| NP1256L | | | | | | | | | |
|---------------------|-----------------|-------------|------------|------------|---|--------------|---|--|--|
| CAT.NO. | VM3543 | | | | | | | | |
| SPEC. | 34A63W12 | | | | | | | | |
| HP | .75 | | | | | | | | |
| VOLTS | 208-230/460 | | | | | | | | |
| AMP | 3.3-3/1.5 | | | | | | | | |
| RPM | 1140 | | | | | | | | |
| FRAME | 56C | | HZ | 60 | | PH | 3 | | |
| SER.F. | 1.15 | CODE | K | DES | B | CLASS | B | | |
| NEMA-NOM-EFF | 77 | PF | 59 | | | | | | |
| RATING | 40C AMB-CONT | | | | | | | | |
| CC | | | | | | | | | |
| DE | 6203 | | ODE | 6203 | | | | | |
| ENCL | TEFC | SN | | | | | | | |
| | SFA 3.5-3.2/1.6 | | | | | | | | |

AC Induction Motor Performance Data

Record # 6846

Typical performance - not guaranteed values

| Winding: 34WGW012-R001 | | Type: 3428M | Enclosure: TEFC |
|------------------------|-----------------|--|-----------------|
| Nameplate Data | | 460 V, 60 Hz: High Voltage Connection | |
| Rated Output (HP) | .75 | Full Load Torque | 3.4 LB-FT |
| Volts | 208-230/460 | Start Configuration | direct on line |
| Full Load Amps | 3.3-3/1.5 | Breakdown Torque | 11.8 LB-FT |
| R.P.M. | 1140 | Pull-up Torque | 9.3 LB-FT |
| Hz | 60 Phase | Locked-rotor Torque | 9.7 LB-FT |
| NEMA Design Code | B KVA Code | Starting Current | 7.4 A |
| Service Factor (S.F.) | 1.15 | No-load Current | 1.1 A |
| NEMA Nom. Eff. | 77 Power Factor | Line-line Res. @ 25°C | 21.9 Ω |
| Rating - Duty | 40C AMB-CONT | Temp. Rise @ Rated Load | 62°C |
| S.F. Amps | 3.5-3.2/1.6 | Temp. Rise @ S.F. Load | 75°C |

Load Characteristics 460 V, 60 Hz, 0.75 HP

| % of Rated Load | 25 | 50 | 75 | 100 | 125 | 150 | S.F. |
|-----------------|------|------|------|------|------|------|------|
| Power Factor | 26 | 40 | 51 | 59 | 65 | 68 | 63 |
| Efficiency | 60 | 72 | 76 | 77 | 75 | 73 | 76 |
| Speed | 1185 | 1170 | 1155 | 1135 | 1115 | 1095 | 1125 |
| Line amperes | 1.1 | 1.2 | 1.4 | 1.5 | 1.7 | 2 | 1.6 |

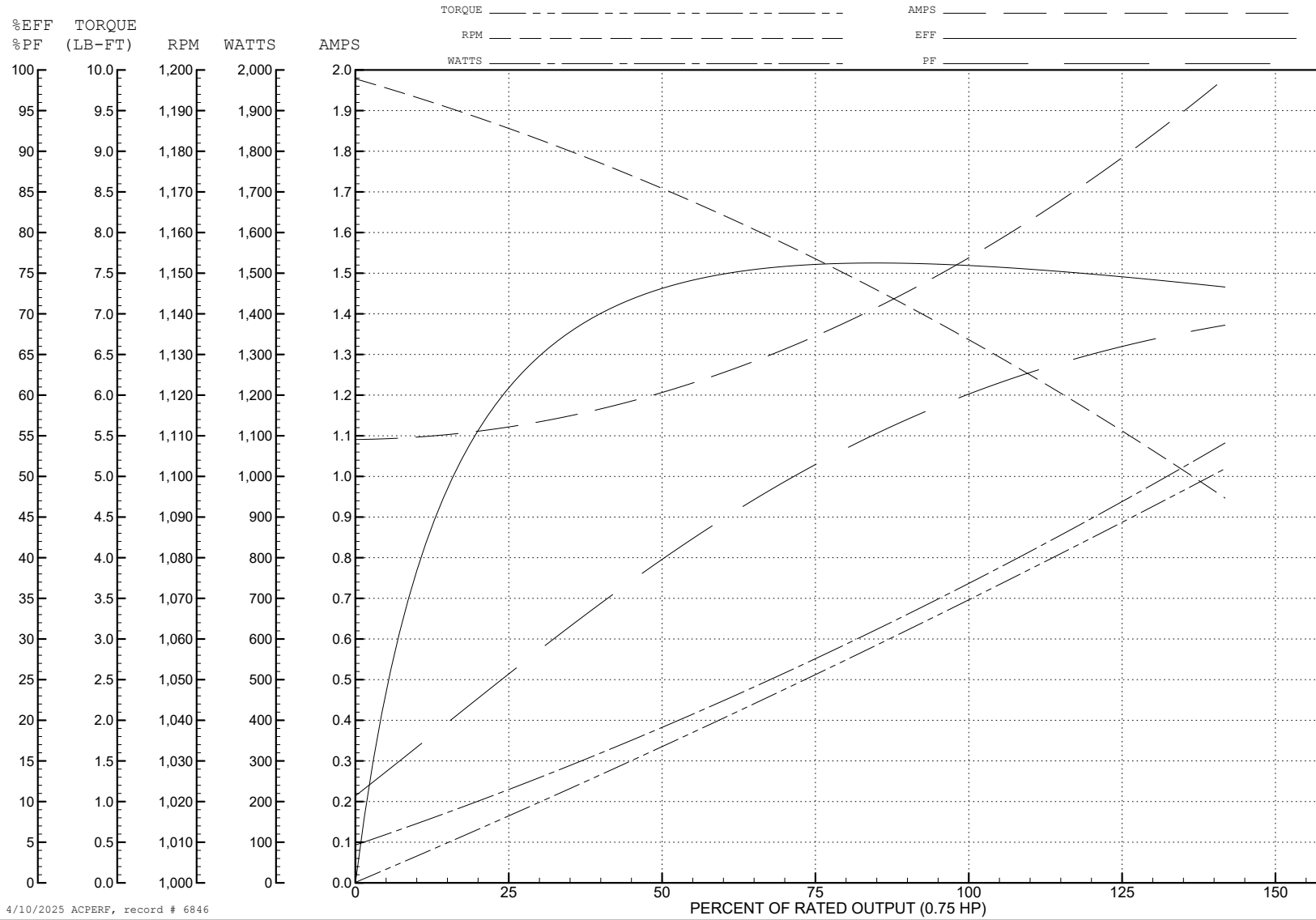
ABB Motors and Mechanical Inc.

WINDING # 34WGW012

Typical performance - not guaranteed values.

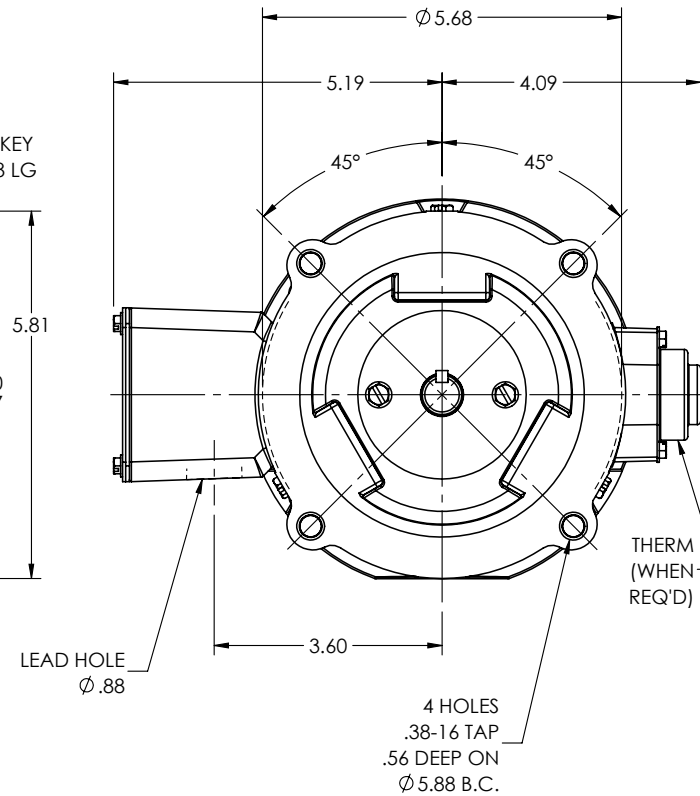
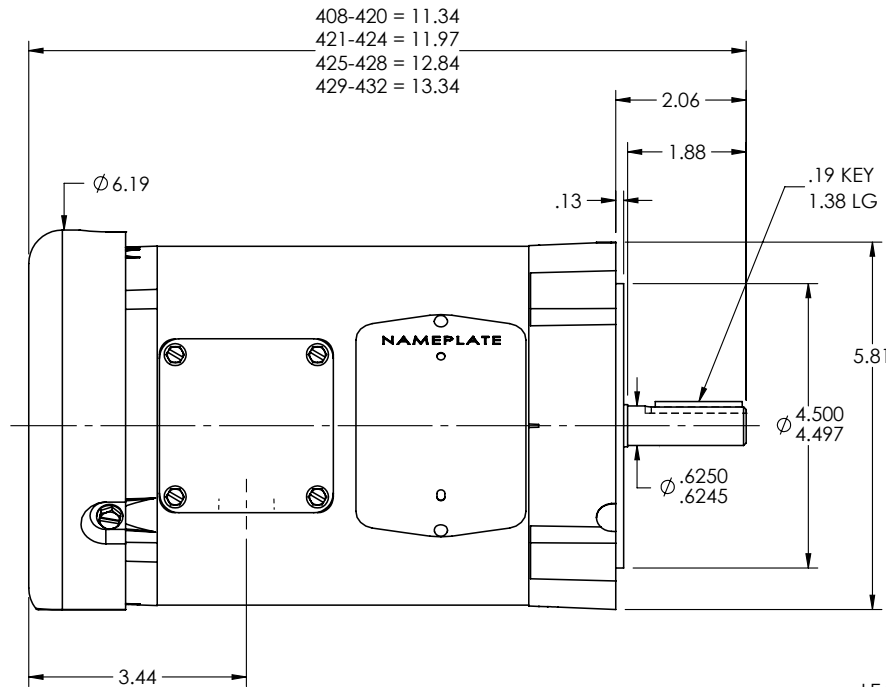
0.75 HP 3 PH 60 HZ 1140 RPM 460 V 3428M

TORQUES (LB-FT): PO=11.8 PU=9.3 LR=9.7 LRA=7.4



4/10/2025 ACPERF, record # 6846

34LYA063



CUSTOMER IS RESPONSIBLE FOR DETERMINING THAT THE PRODUCT WILL PERFORM SUITABLY IN THE INTENDED APPLICATION

REV. DESC: CLEAN UP DIMENSIONING

| | | | |
|--------|-------------|------------------------------|-------------------|
| REV: P | VERSION: 05 | REVISED: 08:51:08 10/31/2024 | TDR: 000001243684 |
|--------|-------------|------------------------------|-------------------|

| | | |
|----------|--------------------|--------|
| 34LYA063 | MODEL NO. 34LYA063 | REF: - |
| | BY: ENJEFD0 | |

BALDOR - RELIANCE®

STD VERT 34M NEMA 56C TEFC

34LYA063

CD0005

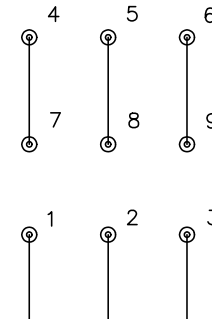


LOW VOLTAGE
(2Y)



LINE

HIGH VOLTAGE
(1Y)



LINE

NOTES:

1. INTERCHANGE ANY TWO LINE LEADS TO REVERSE ROTATION.
2. OPTIONAL THERMOSTATS ARE PROVIDED WHEN SPECIFIED.
3. ACTUAL NUMBER OF INTERNAL PARALLEL CIRCUITS MAY BE A MULTIPLE OF THOSE SHOWN ABOVE.
4. LEAD COLORS ARE OPTIONAL. LEADS MUST ALWAYS BE NUMBERED AS SHOWN.

CD0005

| | | | |
|---|---------|-------------------------|--------------|
| REV. DESC: REVISE TO SHOW OPTIONAL COLORS | | | |
| REV. LTR: E | BY: JLP | REVISED: 01/19/99 10:15 | TDR: 0171435 |
| S00000 | | FILE: AAA00005140 | MDL: - |
| | | MTL: - | |

BALDOR ELECTRIC Co.

3PH, DV, 9 LEADS