

# BERKELEY® B3ZPBH

## Cast Iron Impeller

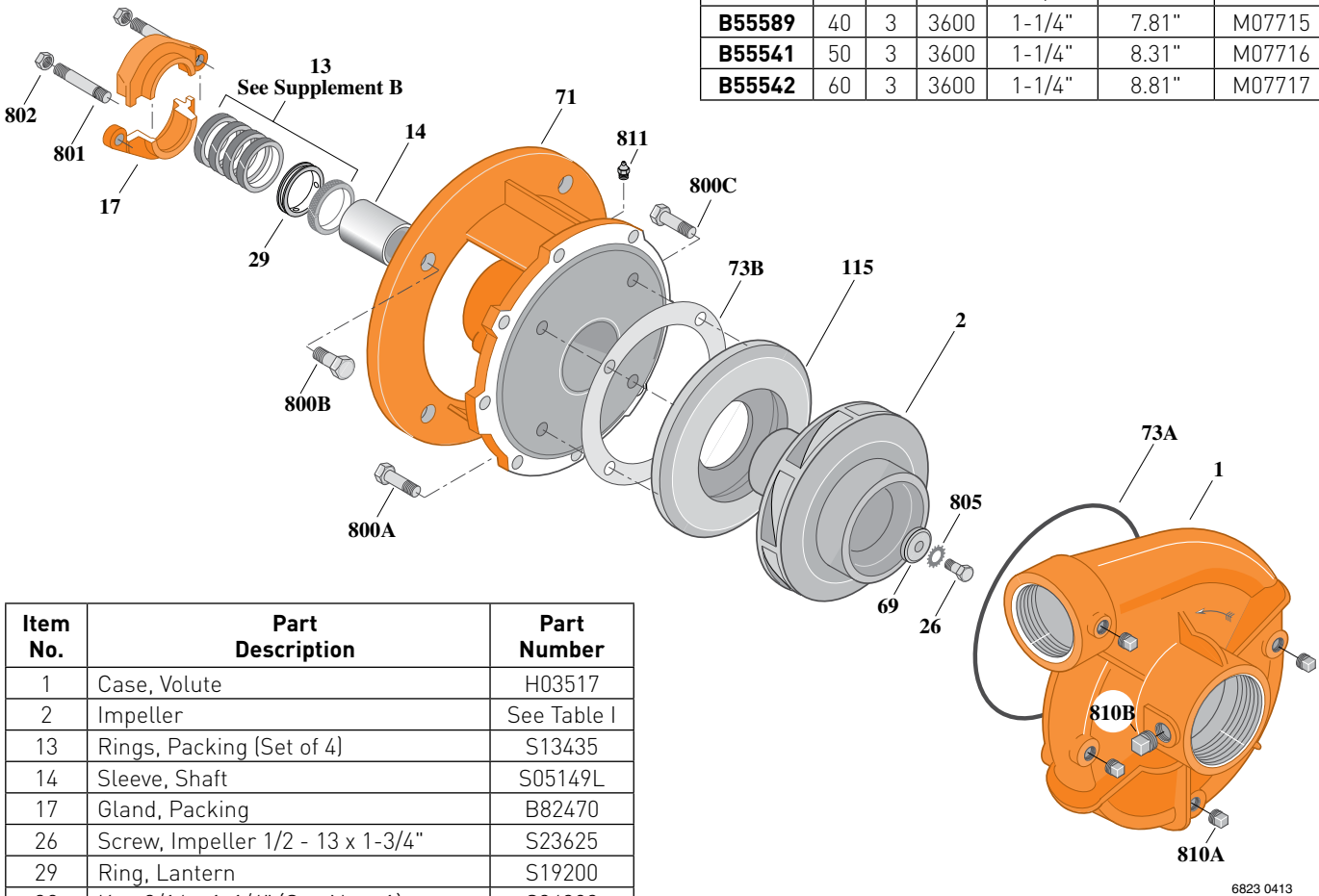
Threaded Case (NPT), Packing Construction

## ELECTRIC MOTOR DRIVE

Section	CC
Page	200.1
Date	March 4, 2013
Supersedes 07/01/11	

**Table I**

B/M No.	HP	PH	RPM	"U" Dim.	Imp. Dia.	Imp. No.
B55588	30	3	3600	1-1/4"	7.12"	M07714
B55589	40	3	3600	1-1/4"	7.81"	M07715
B55541	50	3	3600	1-1/4"	8.31"	M07716
B55542	60	3	3600	1-1/4"	8.81"	M07717



Item No.	Part Description	Part Number
1	Case, Volute	H03517
2	Impeller	See Table I
13	Rings, Packing (Set of 4)	S13435
14	Sleeve, Shaft	S05149L
17	Gland, Packing	B82470
26	Screw, Impeller 1/2 - 13 x 1-3/4"	S23625
29	Ring, Lantern	S19200
32	Key, 3/16 x 1-1/4" [See Note 1]	S34383
69	Washer, Impeller	S18177
71	Bracket	See Table II
73A	O-Ring [See Note 2]	M14943
73B	Gasket, Balance Ring	S09943
115	Ring, Balance	S19904
800A	Capscrew, 3/8 - 16 x 1" [8 Req.]	S26826
800B	Capscrew, 5/8 - 11 x 1-1/4" [4 Req.]	S26999
800C	Capscrew, 3/8 - 16 x 7/8" [4 Req.]	S26825
801	Stud, 3/8 - 16 x 4" [2 Req.]	S08303
802	Nut, Hex 3/8 - 16 [2 Req.]	S23343
805	Washer, Lock	S23038
810A	Plug, Pipe 1/4 NPT [4 Req.]	S23715
810B	Plug, Pipe 1/2 NPT	S23717
811	Fitting, Grease	S23700

**Table II**

HP	PH	Bracket No.	"AK" Fit	"U" Dim.	Motor Frame
30	3	L05511	12-1/2"	1-1/4"	284JP
40	3	L05511	12-1/2"	1-1/4"	286JP
50	3	L05511	12-1/2"	1-1/4"	324JP
60	3	L05511	12-1/2"	1-1/4"	326JP

**NOTE 1:** For an explanation of the tabulated material found on this page and for impeller key location, refer to **Supplement A** located at the beginning of this section.

**NOTE 2:** Also accepts gasket **S05126** as replacement for O-Ring. See **Supplement E** located at the beginning of this section.



# BERKELEY® B3ZPBH

## Cast Iron Impeller

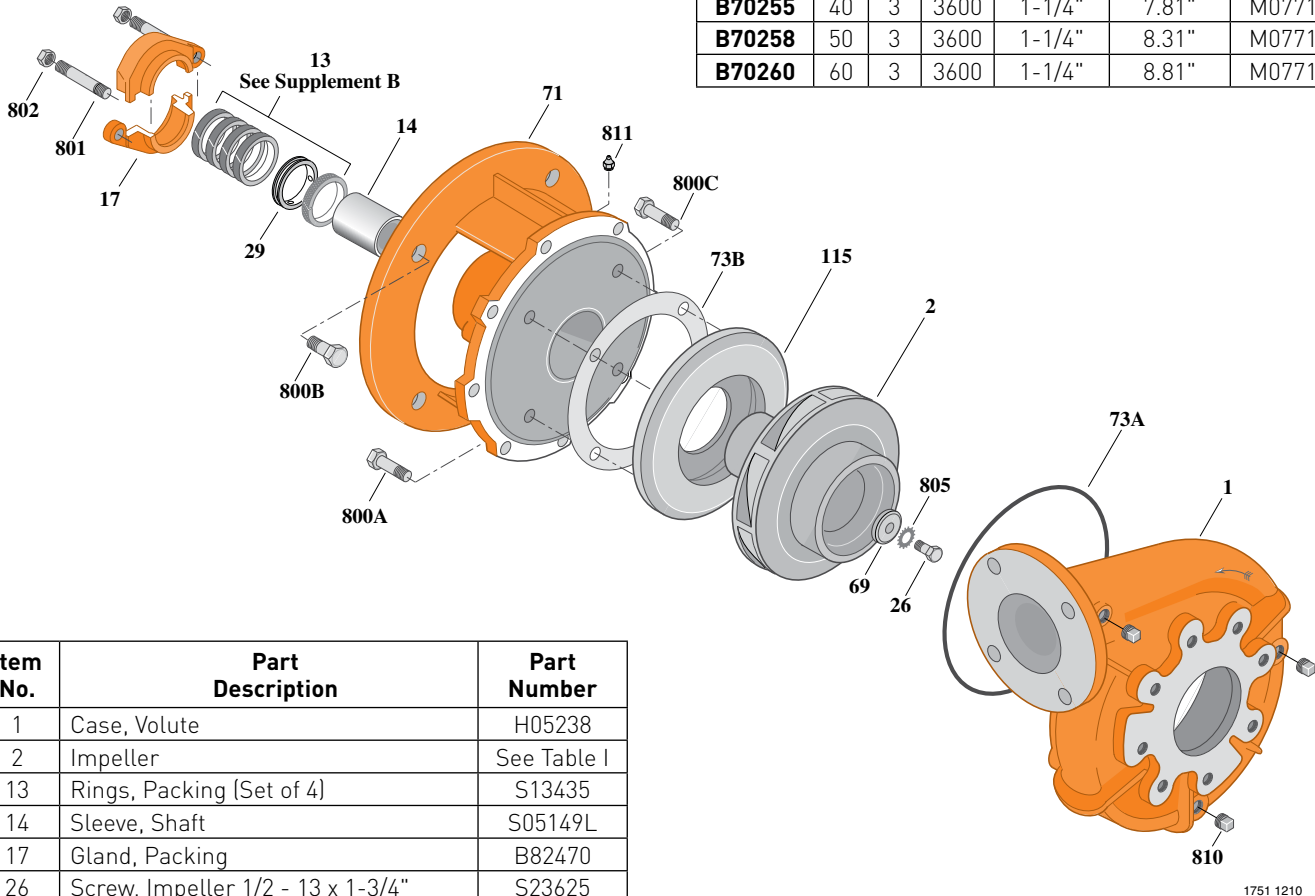
Flanged Case, Packing Construction

## ELECTRIC MOTOR DRIVE

Section	CC
Page	200.2
Date	March 4, 2013
Supersedes 07/01/11	

**Table I**

B/M No.	HP	PH	RPM	"U" Dim.	Imp. Dia.	Imp. No.
B70252	30	3	3600	1-1/4"	7.12"	M07714
B70255	40	3	3600	1-1/4"	7.81"	M07715
B70258	50	3	3600	1-1/4"	8.31"	M07716
B70260	60	3	3600	1-1/4"	8.81"	M07717



Item No.	Part Description	Part Number
1	Case, Volute	H05238
2	Impeller	See Table I
13	Rings, Packing (Set of 4)	S13435
14	Sleeve, Shaft	S05149L
17	Gland, Packing	B82470
26	Screw, Impeller 1/2 - 13 x 1-3/4"	S23625
29	Ring, Lantern	S19200
32	Key, 1/4 x 2-1/4" (See Note 1)	S23677
69	Washer, Impeller	S18117
71	Bracket	See Table II
73A	O-Ring (See Note 2)	M14943
73B	Gasket, Balance Ring	S09943
115	Ring, Balance	S19904
800A	Cap screw, 3/8 - 16 x 1" (12 Req.)	S26826
800B	Cap screw, 5/8 - 11 x 1-1/2" (4 Req.)	S26999
800C	Cap screw, 3/8 - 16 x 7/8" (4 Req.)	S26825
801	Stud, 3/8 - 16 x 4" (2 Req.)	S08303
802	Nut, Hex 3/8 - 16 (2 Req.)	S23343
805	Washer, Lock	S23038
810	Plug, Pipe 1/4 NPT (4 Req.)	S23715
811	Fitting, Grease	S23700

**Table II**

HP	PH	Bracket No.	"AK" Fit	"U" Dim.	Motor Frame
30	3	L05511	12-1/2"	1-1/4"	284JP
40	3	L05511	12-1/2"	1-1/4"	286JP
50	3	L05511	12-1/2"	1-1/4"	324JP
60	3	L05511	12-1/2"	1-1/4"	326JP

**NOTE 1:** For an explanation of the tabulated material found on this page and for impeller key location, refer to **Supplement A** located at the beginning of this section.

**NOTE 2:** Also accepts gasket **S05126** as replacement for O-Ring. See **Supplement E** located at the beginning of this section.



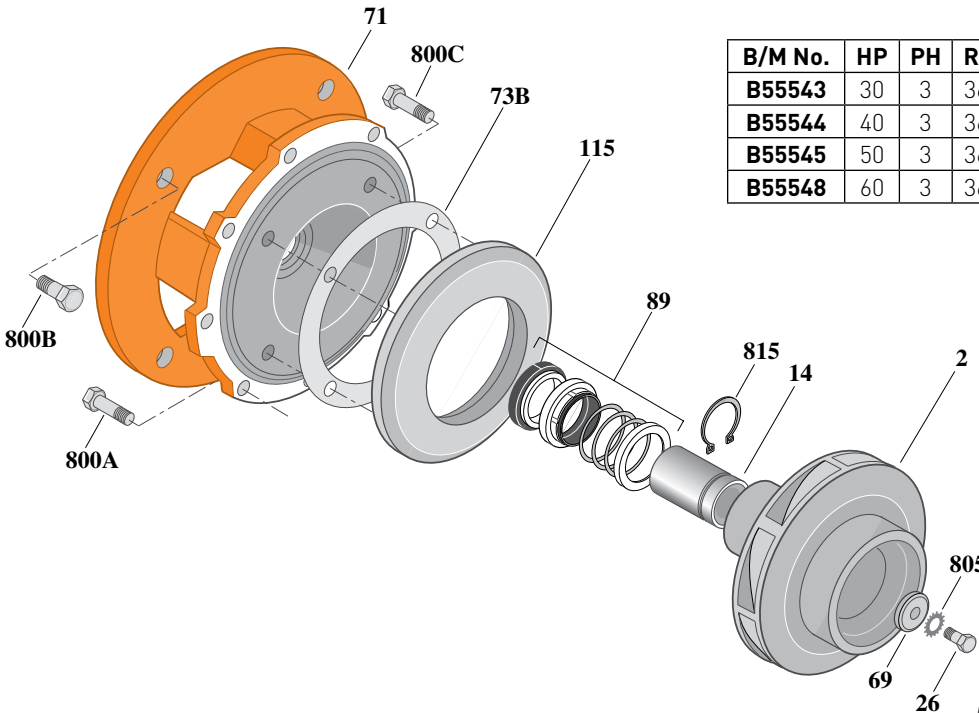
# BERKELEY® B3ZPBHS

## Cast Iron Impeller

Threaded Case (NPT), Mechanical Shaft Seal Construction

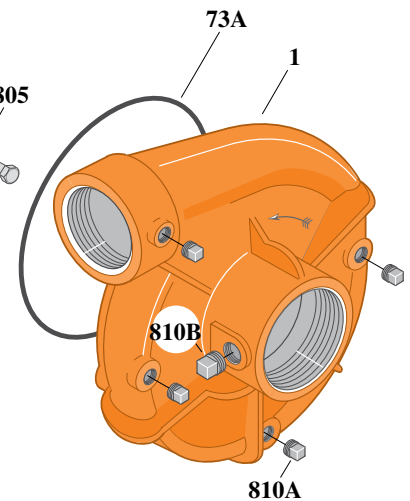
## ELECTRIC MOTOR DRIVE

Section	CC
Page	200.3
Date	March 4, 2013
Supersedes 07/01/11	



**Table I**

B/M No.	HP	PH	RPM	"U" Dim.	Imp. Dia.	Imp. No.
B55543	30	3	3600	1-1/4"	7.12"	M07714
B55544	40	3	3600	1-1/4"	7.81"	M07715
B55545	50	3	3600	1-1/4"	8.31"	M07716
B55548	60	3	3600	1-1/4"	8.81"	M07717



1615 0195

Item No.	Part Description	Part Number
1	Case, Volute	H03517
2	Impeller	See Table I
14	Sleeve, Shaft	S18869L
26	Screw, Impeller 1/2 - 13 x 1-3/4"	S23625
32	Key, 1/4 x 2-1/4" [See Note 1]	S23677
69	Washer, Impeller	S18117
71	Bracket	See Table II
73A	O-Ring [See Note 2]	M14943
73B	Gasket, Balance Ring	S09943
89	Seal, Mechanical Shaft	S32015
115	Ring, Balance	S19911
800A	Capscrew, 3/8 - 16 x 1" [8 Req.]	S26826
800B	Capscrew, 5/8 - 11 x 1-1/2" [4 Req.]	S26999
800C	Capscrew, 3/8 - 16 x 7/8" [4 Req.]	S26825
805	Washer, Lock	S23038
810A	Plug, Pipe 1/4 NPT [4 Req.]	S23715
810B	Plug, Pipe 1/2 NPT	S23717
815	Ring, Retaining	S16767

**Table II**

HP	PH	Bracket No.	"AK" Fit	"U" Dim.	Motor Frame
30	3	L05515	12-1/2"	1-1/4"	284JM
40	3	L05515	12-1/2"	1-1/4"	286JM
50	3	L05515	12-1/2"	1-1/4"	324JM
60	3	L05515	12-1/2"	1-1/4"	326JM

**NOTE 1:** For an explanation of the tabulated material found on this page and for impeller key location, refer to **Supplement A** located at the beginning of this section.

**NOTE 2:** Also accepts gasket **S05126** as replacement for O-Ring. See **Supplement E** located at the beginning of this section.



# BERKELEY® B3ZPBHS

## Cast Iron Impeller

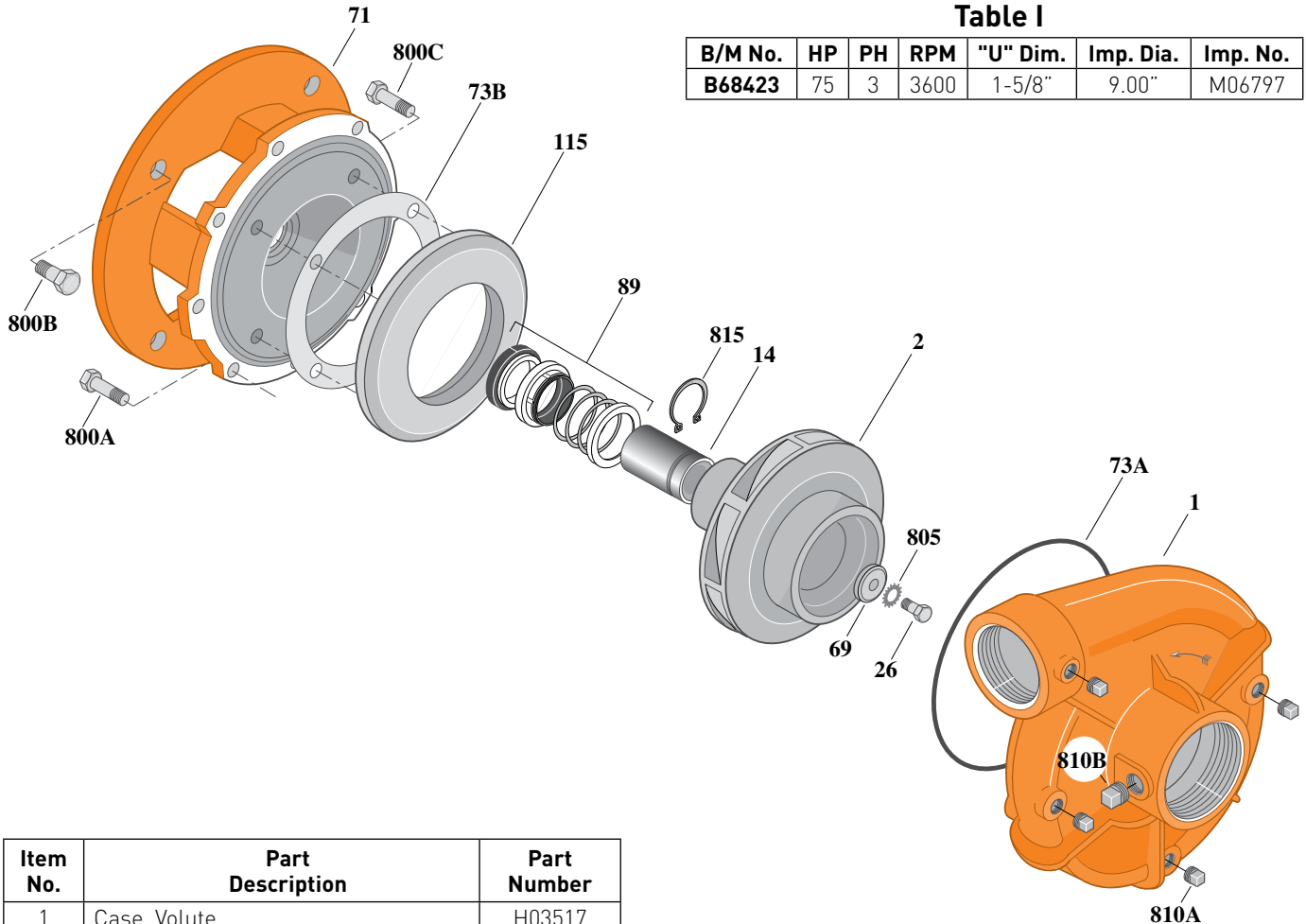
Threaded Case (NPT), Mechanical Shaft Seal Construction

## ELECTRIC MOTOR DRIVE

Section	CC
Page	200.4
Date	March 4, 2013
Supersedes 07/01/11	

**Table I**

B/M No.	HP	PH	RPM	"U" Dim.	Imp. Dia.	Imp. No.
B68423	75	3	3600	1-5/8"	9.00"	M06797



1616 1210

Item No.	Part Description	Part Number
1	Case, Volute	H03517
2	Impeller	See Table I
14	Sleeve, Shaft	M09669L
26	Screw, Impeller 1/2 - 13 x 1-1/2"	S23623
32	Key, 3/8 x 2-1/4" [See Note 1]	S23940
69	Washer, Impeller	S18801
71	Bracket	See Table II
73A	O-Ring [See Note 2]	M14943
73B	Gasket, Balance Ring	S09943
89	Seal, Mechanical Shaft	S39264
115	Ring, Balance	S19911
800A	Capscrew, 3/8 - 16 x 1" [12 Req.]	S26826
800B	Capscrew, 5/8 - 11 x 1-1/2" [4 Req.]	S26999
805	Washer, Lock	S23038
810A	Plug, Pipe 1/4 NPT [4 Req.]	S23715
810B	Plug, Pipe 1/2 NPT	S23717
815	Ring, Retaining	S18136

**Table II**

HP	PH	Bracket No.	"AK" Fit	"U" Dim.	Motor Frame
75	3	H04088	12-1/2"	1-5/8"	364JP

**NOTE 1:** For an explanation of the tabulated material found on this page and for impeller key location, refer to **Supplement A** located at the beginning of this section.

**NOTE 2:** Also accepts gasket **S05126** as replacement for O-Ring. See **Supplement E** located at the beginning of this section.



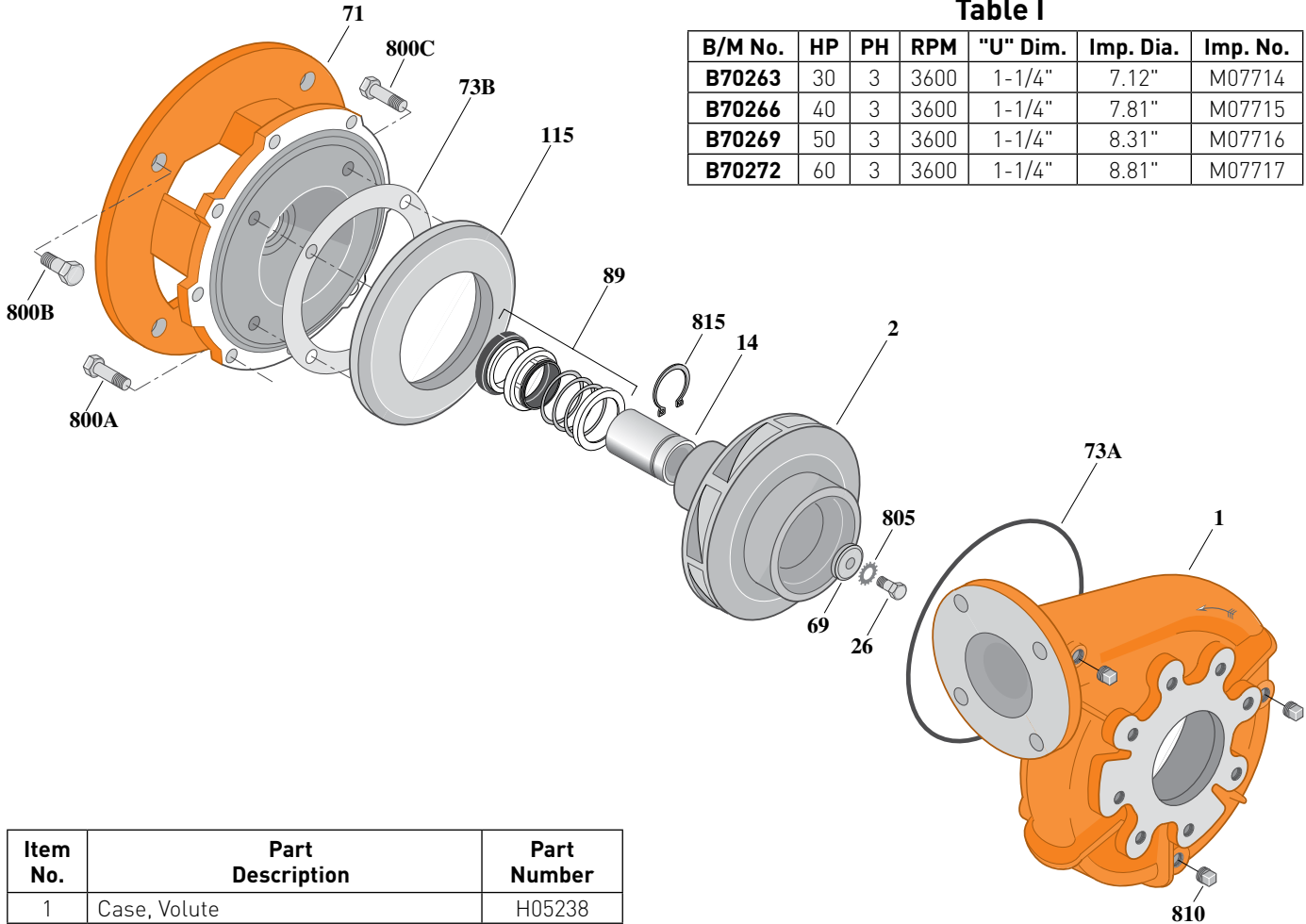
# BERKELEY® B3ZPBHS

## Cast Iron Impeller

Flanged Case, Mechanical Shaft Seal Construction

### ELECTRIC MOTOR DRIVE

Section	CC
Page	200.5
Date	March 4, 2013
Supersedes 07/01/11	



**Table I**

B/M No.	HP	PH	RPM	"U" Dim.	Imp. Dia.	Imp. No.
B70263	30	3	3600	1-1/4"	7.12"	M07714
B70266	40	3	3600	1-1/4"	7.81"	M07715
B70269	50	3	3600	1-1/4"	8.31"	M07716
B70272	60	3	3600	1-1/4"	8.81"	M07717

Item No.	Part Description	Part Number
1	Case, Volute	H05238
2	Impeller	See Table I
14	Sleeve, Shaft	S18869L
26	Screw, Impeller 1/2 - 13 x 1-3/4"	S23625
32	Key, 1/4 x 2-1/4" [See Note 1]	S23677
69	Washer, Impeller	S18117
71	Bracket	See Table II
73A	O-Ring [See Note 2]	M14943
73B	Gasket, Balance Ring	S09943
89	Seal, Mechanical Shaft	S32015
115	Ring, Balance	S19911
800A	Capscrew, 3/8 - 16 x 1" [8 Req.]	S26826
800B	Capscrew, 5/8 - 11 x 1-1/2" [4 Req.]	S26999
800C	Capscrew, 3/8 - 16 x 7/8" [4 Req.]	S26825
805	Washer, Lock	S23038
810	Plug, Pipe 1/4 NPT [4 Req.]	S23715
815	Ring, Retaining	S16767

**Table II**

HP	PH	Bracket No.	"AK" Fit	"U" Dim.	Motor Frame
30	3	L05515	12-1/2"	1-1/4"	284JM
40	3	L05515	12-1/2"	1-1/4"	286JM
50	3	L05515	12-1/2"	1-1/4"	324JM
60	3	L05515	12-1/2"	1-1/4"	326JM

**NOTE 1:** For an explanation of the tabulated material found on this page and for impeller key location, refer to **Supplement A** located at the beginning of this section.

**NOTE 2:** Also accepts gasket **S05126** as replacement for O-Ring. See **Supplement E** located at the beginning of this section.



# BERKELEY® B3ZPBHS

## Cast Iron Impeller

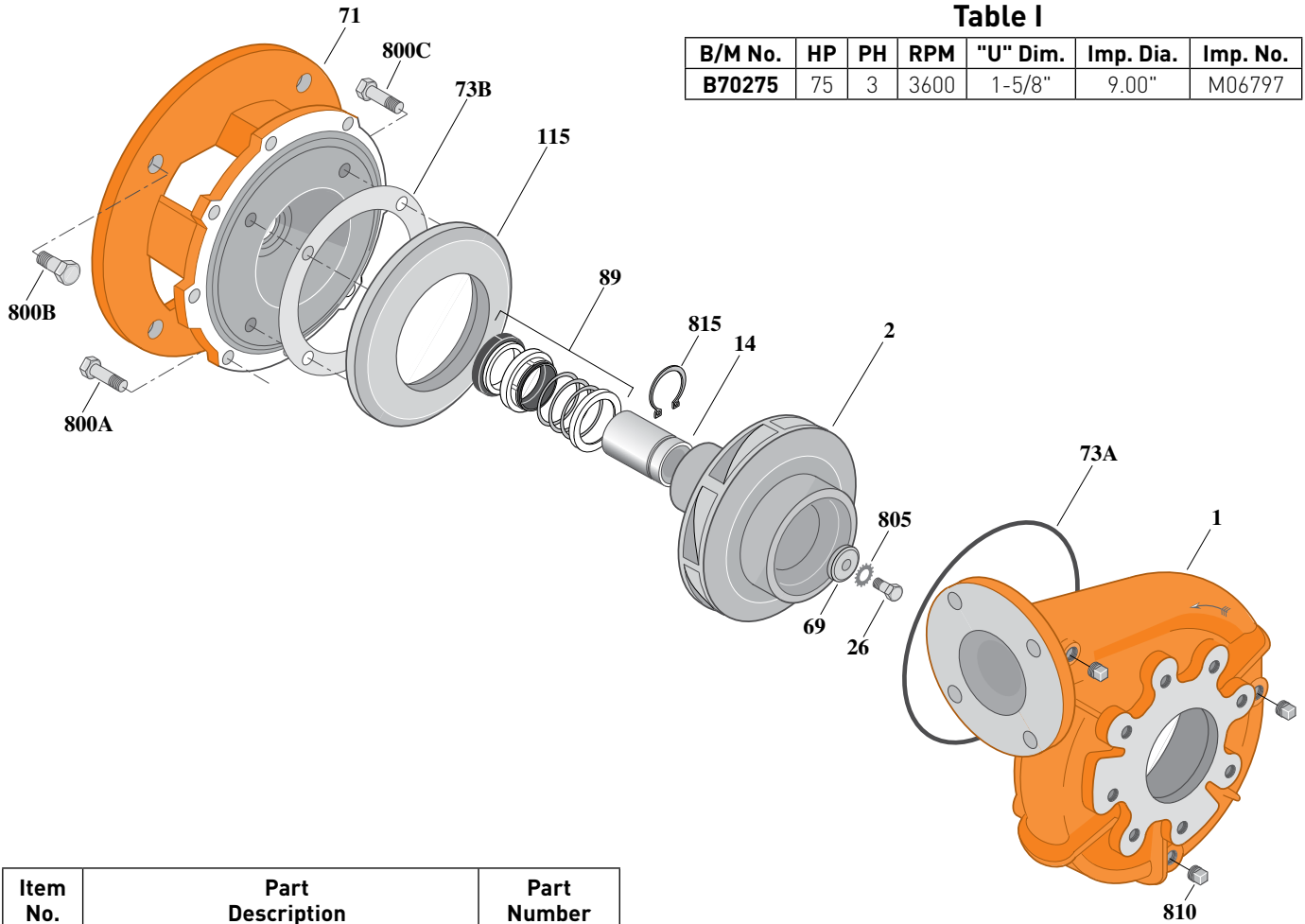
Flanged Case, Mechanical Shaft Seal Construction

### ELECTRIC MOTOR DRIVE

Section	CC
Page	200.6
Date	March 4, 2013
Supersedes 07/01/11	

**Table I**

B/M No.	HP	PH	RPM	"U" Dim.	Imp. Dia.	Imp. No.
B70275	75	3	3600	1-5/8"	9.00"	M06797



1618 1210

Item No.	Part Description	Part Number
1	Case, Volute	H05238
2	Impeller	See Table I
14	Sleeve, Shaft	M09669L
26	Screw, Impeller 1/2 - 13 x 1-1/2"	S23623
32	Key, 3/8 x 2-1/4" (See Note 1)	S23940
69	Washer, Impeller	S18801
71	Bracket	See Table II
73A	O-Ring (See Note 2)	M14943
73B	Gasket, Balance Ring	S09943
89	Seal, Mechanical Shaft	S39264
115	Ring, Balance	S19911
800A	Capscrew, 3/8 - 16 x 1" (12 Req.)	S26826
800B	Capscrew, 5/8 - 11 x 1-1/2" (4 Req.)	S26999
805	Washer, Lock	S23038
810	Plug, Pipe (4 Req.)	S23715
815	Ring, Retaining	S18136

**Table II**

HP	PH	Bracket No.	"AK" Fit	"U" Dim.	Motor Frame
75	3	H04088	12-1/2"	1-5/8"	364JP

**NOTE 1:** For an explanation of the tabulated material found on this page and for impeller key location, refer to **Supplement A** located at the beginning of this section.

**NOTE 2:** Also accepts gasket **S05126** as replacement for O-Ring. See **Supplement E** located at the beginning of this section.



# BERKELEY® B3ZPBHS

## Bronze Impeller

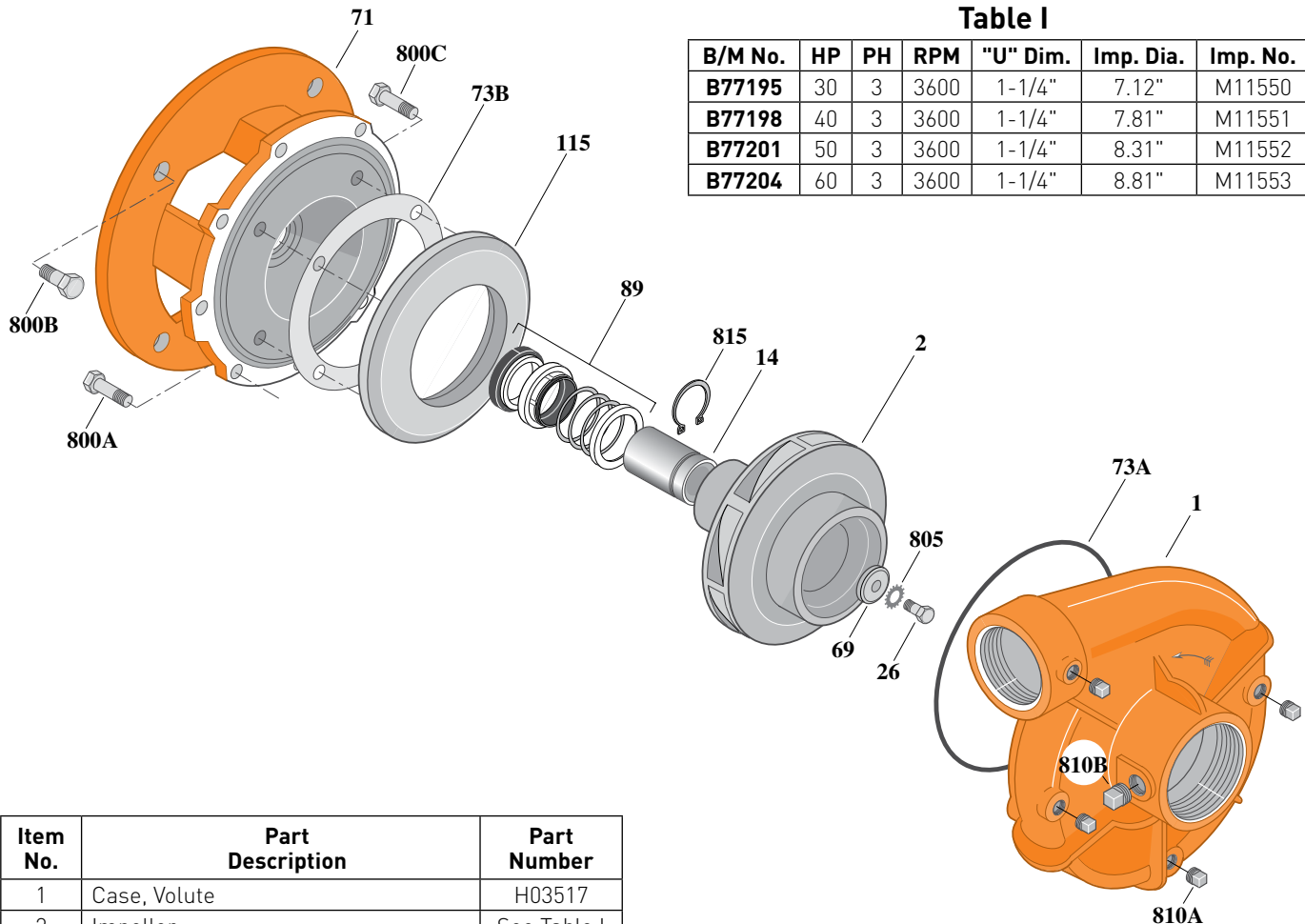
Threaded Case (NPT), Mechanical Shaft Seal Construction

## ELECTRIC MOTOR DRIVE

Section	CC
Page	200.7
Date	March 4, 2013
Supersedes 07/01/11	

**Table I**

B/M No.	HP	PH	RPM	"U" Dim.	Imp. Dia.	Imp. No.
<b>B77195</b>	30	3	3600	1-1/4"	7.12"	M11550
<b>B77198</b>	40	3	3600	1-1/4"	7.81"	M11551
<b>B77201</b>	50	3	3600	1-1/4"	8.31"	M11552
<b>B77204</b>	60	3	3600	1-1/4"	8.81"	M11553



1615 0195

Item No.	Part Description	Part Number
1	Case, Volute	H03517
2	Impeller	See Table I
14	Sleeve, Shaft	S18869L
26	Screw, Impeller 1/2 - 13 x 1-3/4"	S23625
32	Key, 1/4 x 2-1/4" [See Note 1]	S23677
69	Washer, Impeller	S18117
71	Bracket	See Table II
73A	O-Ring [See Note 2]	M14943
73B	Gasket, Balance Ring	S09943
89	Seal, Mechanical Shaft	S32015
115	Ring, Balance	S19911
800A	Capscrew, 3/8 - 16 x 1" [8 Req.]	S26826
800B	Capscrew, 5/8 - 11 x 1-1/2" [4 Req.]	S26999
800C	Capscrew, 3/8 - 16 x 7/8" [4 Req.]	S26825
805	Washer, Lock	S23038
810A	Plug, Pipe 1/4 NPT [4 Req.]	S23715
810B	Plug, Pipe 1/2 NPT	S23717
815	Ring, Retaining	S16767

**Table II**

HP	PH	Bracket No.	"AK" Fit	"U" Dim.	Motor Frame
30	3	L05515	12-1/2"	1-1/4"	284JM
40	3	L05515	12-1/2"	1-1/4"	286JM
50	3	L05515	12-1/2"	1-1/4"	324JM
60	3	L05515	12-1/2"	1-1/4"	326JM

**NOTE 1:** For an explanation of the tabulated material found on this page and for impeller key location, refer to **Supplement A** located at the beginning of this section.

**NOTE 2:** Also accepts gasket **S05126** as replacement for O-Ring. See **Supplement E** located at the beginning of this section.



# BERKELEY® B3ZPBHS

## Bronze Impeller

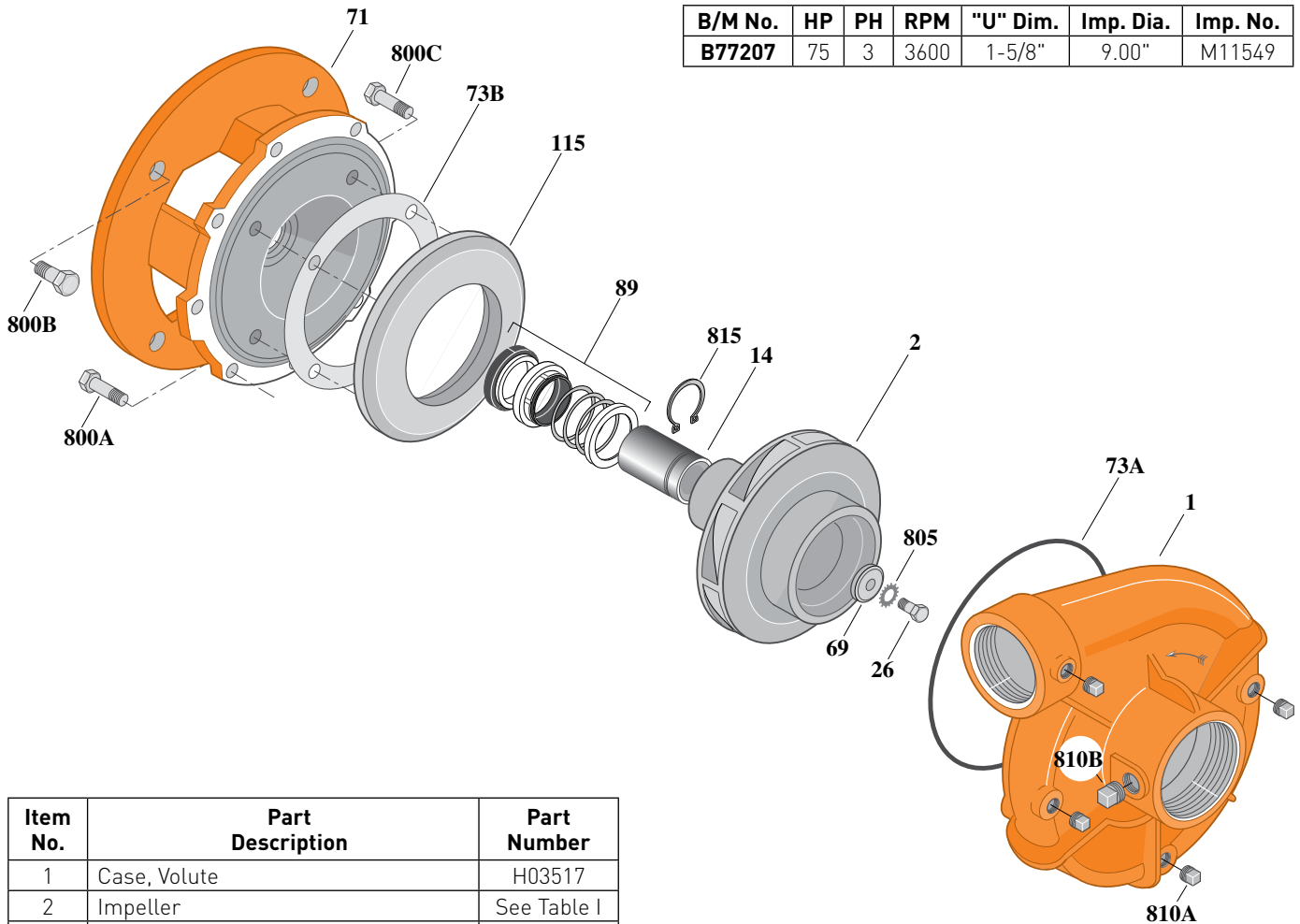
Threaded Case (NPT), Mechanical Shaft Seal Construction

### ELECTRIC MOTOR DRIVE

Section	CC
Page	200.8
Date	March 4, 2013
Supersedes 07/01/11	

**Table I**

B/M No.	HP	PH	RPM	"U" Dim.	Imp. Dia.	Imp. No.
<b>B77207</b>	75	3	3600	1-5/8"	9.00"	M11549



1616 1210

Item No.	Part Description	Part Number
1	Case, Volute	H03517
2	Impeller	See Table I
14	Sleeve, Shaft	M09669L
26	Screw, Impeller 1/2 - 13 x 1-1/2"	S23623
32	Key, 3/8 x 2-1/4" [See Note 1]	S23940
69	Washer, Impeller	S18801
71	Bracket	See Table II
73A	O-Ring [See Note 2]	M14943
73B	Gasket, Balance Ring	S09943
89	Seal, Mechanical Shaft	S39264
115	Ring, Balance	S19911
800A	Cap screw, 3/8 - 16 x 1" [12 Req.]	S26826
800B	Cap screw, 5/8 - 11 x 1-1/2" [4 Req.]	S26999
805	Washer, Lock	S23038
810A	Plug, Pipe 1/4 NPT [4 Req.]	S23715
810B	Plug, Pipe 1/2 NPT	S23717
815	Ring, Retaining	S18136

**Table II**

HP	PH	Bracket No.	"AK" Fit	"U" Dim.	Motor Frame
75	3	H04088	12-1/2"	1-5/8"	364JP

**NOTE 1:** For an explanation of the tabulated material found on this page and for impeller key location, refer to **Supplement A** located at the beginning of this section.

**NOTE 2:** Also accepts gasket **S05126** as replacement for O-Ring. See **Supplement E** located at the beginning of this section.





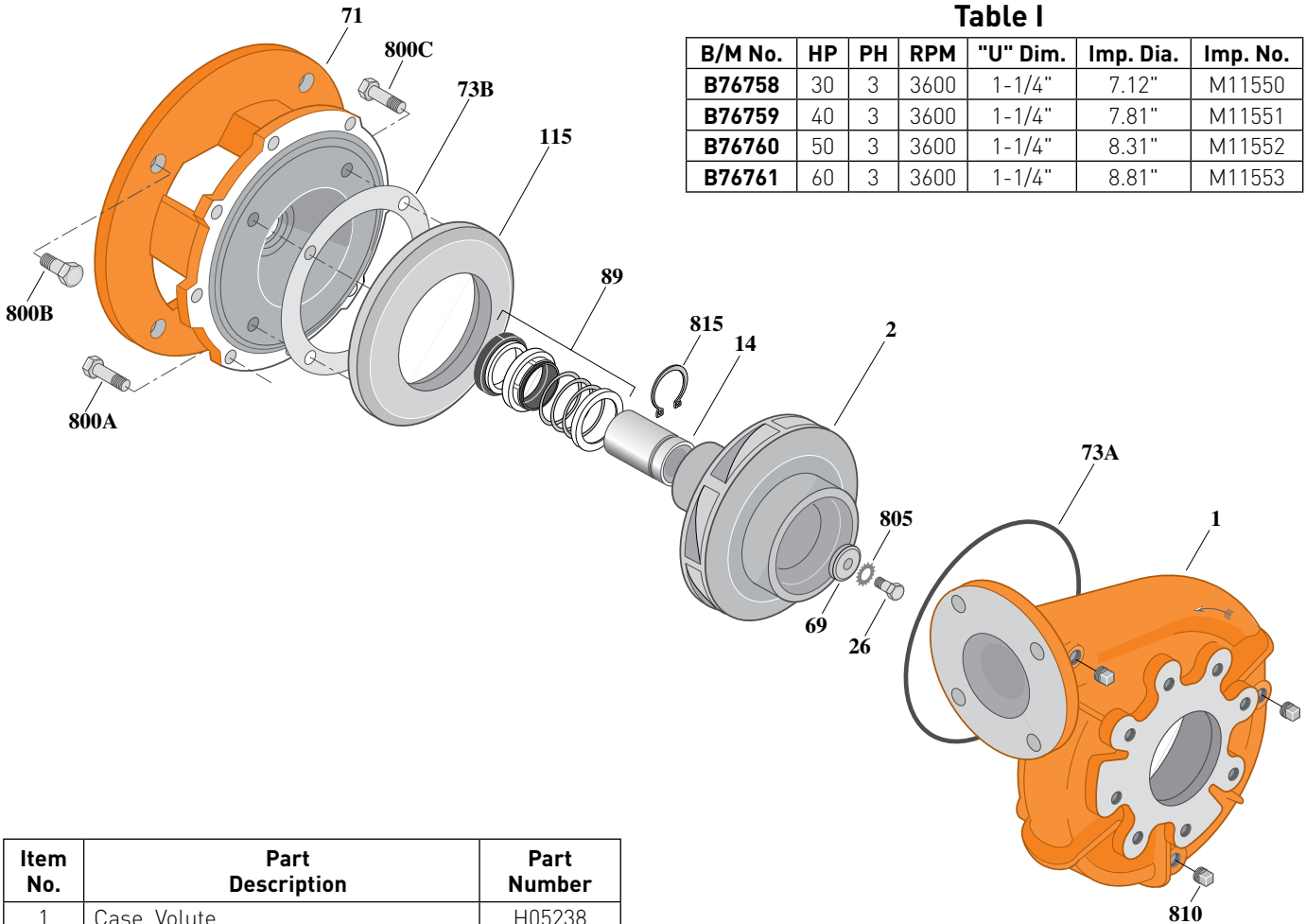
# BERKELEY® B3ZPBHS

## Bronze Impeller

Flanged Case, Mechanical Shaft Seal Construction

### ELECTRIC MOTOR DRIVE

Section	CC
Page	200.9
Date	March 4, 2013
Supersedes 07/01/11	



**Table I**

B/M No.	HP	PH	RPM	"U" Dim.	Imp. Dia.	Imp. No.
<b>B76758</b>	30	3	3600	1-1/4"	7.12"	M11550
<b>B76759</b>	40	3	3600	1-1/4"	7.81"	M11551
<b>B76760</b>	50	3	3600	1-1/4"	8.31"	M11552
<b>B76761</b>	60	3	3600	1-1/4"	8.81"	M11553

Item No.	Part Description	Part Number
1	Case, Volute	H05238
2	Impeller	See Table I
14	Sleeve, Shaft	S18869L
26	Screw, Impeller 1/2 - 13 x 1-3/4"	S23625
32	Key, 1/4 x 2-1/4" [See Note 1]	S23677
69	Washer, Impeller	S18117
71	Bracket	See Table II
73A	O-Ring [See Note 2]	M14943
73B	Gasket, Balance Ring	S09943
89	Seal, Mechanical Shaft	S32015
115	Ring, Balance	S19911
800A	Cap screw, 3/8 - 16 x 1" [8 Req.]	S26826
800B	Cap screw, 5/8 - 11 x 1-1/2" [4 Req.]	S26999
800C	Cap screw, 3/8 - 16 x 7/8" [4 Req.]	S26825
805	Washer, Lock	S23038
810	Plug, Pipe 1/4 NPT [4 Req.]	S23715
815	Ring, Retaining	S16767

**Table II**

HP	PH	Bracket No.	"AK" Fit	"U" Dim.	Motor Frame
30	3	L05515	12-1/2"	1-1/4"	284JM
40	3	L05515	12-1/2"	1-1/4"	286JM
50	3	L05515	12-1/2"	1-1/4"	324JM
60	3	L05515	12-1/2"	1-1/4"	326JM

**NOTE 1:** For an explanation of the tabulated material found on this page and for impeller key location, refer to **Supplement A** located at the beginning of this section.

**NOTE 2:** Also accepts gasket **S05126** as replacement for O-Ring. See **Supplement E** located at the beginning of this section.



# BERKELEY® B3ZPBHS

## Bronze Impeller

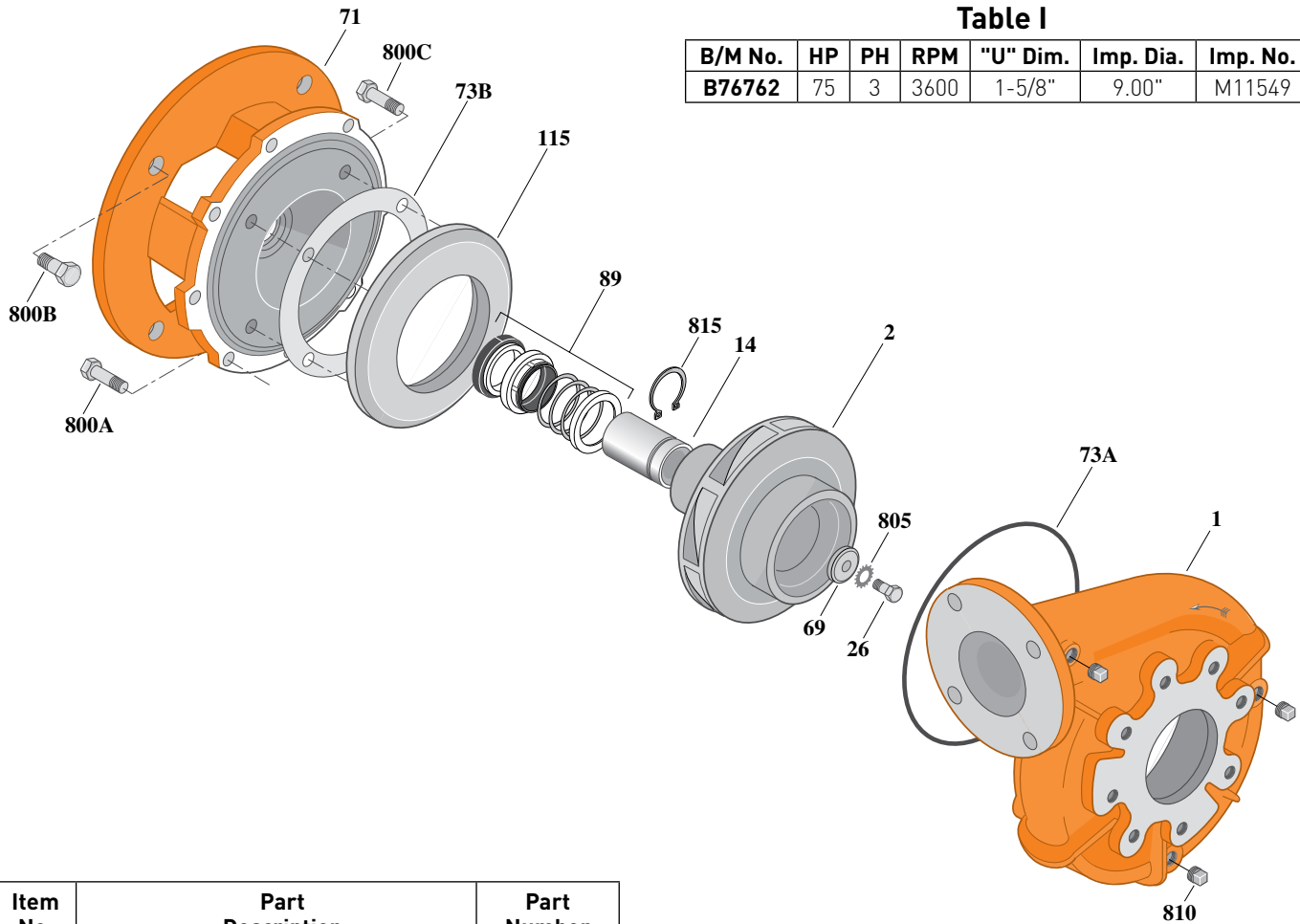
Flanged Case, Mechanical Shaft Seal Construction

### ELECTRIC MOTOR DRIVE

Section	CC
Page	200.10
Date	March 4, 2013
Supersedes 07/01/11	

**Table I**

B/M No.	HP	PH	RPM	"U" Dim.	Imp. Dia.	Imp. No.
<b>B76762</b>	75	3	3600	1-5/8"	9.00"	M11549



1618 1210

Item No.	Part Description	Part Number
1	Case, Volute	H05238
2	Impeller	See Table I
14	Sleeve, Shaft	M09669L
26	Screw, Impeller 1/2 - 13 x 1-1/2"	S23623
32	Key, 3/8 x 2-1/4" [See Note 1]	S23940
69	Washer, Impeller	S18801
71	Bracket	See Table II
73A	O-Ring [See Note 2]	M14943
73B	Gasket, Balance Ring	S09943
89	Seal, Mechanical Shaft	S39264
115	Ring, Balance	S19911
800A	Capscrew, 3/8 - 16 x 1" [12 Req.]	S26826
800B	Capscrew, 5/8 - 11 x 1-1/2" [4 Req.]	S26999
805	Washer, Lock	S23038
810	Plug, Pipe [4 Req.]	S23715
815	Ring, Retaining	S18136

**Table II**

HP	PH	Bracket No.	"AK" Fit	"U" Dim.	Motor Frame
75	3	H04088	12-1/2"	1-5/8"	364JP

**NOTE 1:** For an explanation of the tabulated material found on this page and for impeller key location, refer to **Supplement A** located at the beginning of this section.

**NOTE 2:** Also accepts gasket **S05126** as replacement for O-Ring. See **Supplement E** located at the beginning of this section.

