

Product information presented here reflects conditions at time of publication. Consult factory regarding discrepancies or inconsistencies.



MAIL TO: P.O. BOX 16347 • Louisville, KY 40256-0347  
SHIP TO: 3649 Cane Run Road • Louisville, KY 40211-1961  
TEL: (502) 778-2731 • 1 (800) 928-PUMP • FAX: (502) 774-3624

Visit our website:  
zoellerpumps.com

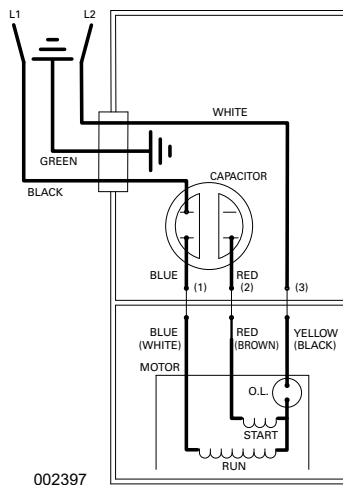
## REPLACEMENT PARTS LIST FOR MODELS: SCREW IN STATOR MOTOR DESIGN FOR GLUE-IN STATOR MOTOR DESIGN (SEE PAGE 8)

N140 NONAUTOMATIC 115V  
E140 NONAUTOMATIC 230V  
N4140 NONAUTOMATIC 115V  
E4140 NONAUTOMATIC 230V  
N145 NONAUTOMATIC 115V  
E145 NONAUTOMATIC 230V  
N4145 NONAUTOMATIC 115V  
E4145 NONAUTOMATIC 230V

### TO ORDER REPLACEMENT PARTS

PLEASE FURNISH THE FOLLOWING INFORMATION:

- Model number
- Part number of pump
- Part number and description of part



WIRING DIAGRAM FOR MODELS  
"N140-G, E140-G, N4140-G  
E4140-G, N145-B, E145-B, N4145-B,  
E4145-B"  
01/20 thru Current

# REPLACEMENT PARTS LIST FOR SINGLE SEAL MODELS "N140" AND "E140"

See page 6 for illustration.

REF NO.	QTY	Kit	DESCRIPTION	NOTES	N140-G 01/20 thru CURRENT.	E140-G 01/20 thru CURRENT.
1	1		HANDLE		267032	267032
2	1		CASE ASSEMBLY		267051	267051
3	1	*	CASE GASKET		267007	267007
4	1		POWER CORD - 115V	3	011551	N/A
			POWER CORD - 230V		N/A	003618
5	1	*	CORD SEAL ASSEMBLY		156778	156778
6	1		MOTOR HOUSING ASSEMBLY		156811	156811
7	1		STATOR ASSEMBLY - 115V	3	156808	N/A
			STATOR ASSEMBLY - 230V		N/A	156812
8	1		ROTOR & BEARING ASSEMBLY		156777	156777
9	1	*	ROTOR BEARING		009540	009540
10	1	*	21.5 Oz OIL CAN		010330	010330
11	N/A		12 Oz OIL CAN		N/A	N/A
12	1	*	SHAFT SEAL ASSEMBLY		011681	011681
13	1	*	MOTOR HOUSING SEAL		034007	034007
14	1		BASE		014961	014961
15	2		HANDLE RETAINERS		267053	267053
16	1	*	WIRE PACK		011548	011548
17	1		CAPACITOR ASSEMBLY		156807	156807
18	N/A		ADAPTER		N/A	N/A
19	1		PUMP HOUSING		155398	155398
20	1		IMPELLER		014240	014240
21	2	*	TEST PLUG		034090	034090
22	4	*	SCREW - CASE (1/4-20X3/4)		001916	001916
23	4	*	SCREW - BASE (10-24 X3/4)		001885	001885
24	2	*	SCREW - RETAINER (10-24 X3/8)		001883	001883
25	2	*	SCREW - GROUND & CAPACITOR (6-32X1/4)		001877	001877
26	3	*	THRU WALL TERMINAL		003402	003402
27	N/A		SNAP RING & WASHER		N/A	N/A
28	4	*	SCREW - MOTOR HOUSING (1/4-20X7/8)		012491	012491
29	2	*	SCREW - STATOR (8-32 X 4-9/32)		155319	155319
<input type="checkbox"/>	1		REBUILD KIT		156775	156775

\* Items included in Rebuild kit.  Not shown on illustration

## Service parts notes:

- 1) If an "X" follows model no., or date mfg. on brass ID tag, consult factory for ordering any parts.
- 2) See FM0160 Parts Price Sheet for listing of parts prices.
- 3) "N/A" indicates not applicable.

# REPLACEMENT PARTS LIST FOR DOUBLE SEAL MODELS "N4140" AND "E4140"

See page 6 for illustration.

REF NO.	QTY	Kit	DESCRIPTION	NOTES	N4140-G 01/20 thru CURRENT.	E4140-G 01/20 thru CURRENT.
1	1		HANDLE		267032	267032
2	1		CASE ASSEMBLY		267051	267051
3	1	*	CASE GASKET		267007	267007
4	1		POWER CORD - 115v	3	011551	N/A
			POWER CORD - 230V		N/A	003618
5	1	*	CORD SEAL ASSEMBLY		156778	156778
6	1		MOTOR HOUSING ASSEMBLY		156811	156811
7	1		STATOR ASSEMBLY - 115V	3	156808	N/A
			STATOR ASSEMBLY - 230V		N/A	156812
8	1		ROTOR & BEARING ASSEMBLY		156814	156814
9	1	*	ROTOR BEARING		009540	009540
10	1	*	28 Oz OIL CAN		010331	010331
11	1	*	12 Oz OIL CAN		010158	010158
12	2	*	SHAFT SEAL ASSEMBLY		011681	011681
13	1	*	MOTOR HOUSING & ADAPTER SEAL		034007	034007
14	1		BASE		014961	014961
15	2		HANDLE RETAINERS		267053	267053
16	1	*	WIRE PACK		011548	011548
17	1		CAPACITOR ASSEMBLY		156807	156807
18	1		ADAPTER		156813	156813
19	1		PUMP HOUSING		155741	155741
20	1		IMPELLER		014240	014240
21	3	*	TEST PLUG		034090	034090
22	4	*	SCREW - CASE (1/4-20X3/4)		001916	001916
23	4	*	SCREW - BASE (10-24 X3/4)		001885	001885
24	2	*	SCREW - RETAINER (10-24 X3/8)		001883	001883
25	2	*	SCREW - GROUND & CAPACITOR (6-32X1/4)		001877	001877
26	3	*	THRU WALL TERMINAL		003402	003402
27	1	*	SNAP RING & WASHER		010167	010167
28	8	*	SCREW - MOTOR HOUSING & ADAPTER (1/4-20X7/8)		012491	012491
29	2	*	SCREW - STATOR (8-32 X 4-9/32)		155319	155319
<input type="checkbox"/>	1		REBUILD KIT		156776	156776

\* Items included in Rebuild kit.  Not shown on illustration

## Service parts notes:

- 1) If an "X" follows model no., or date mfg. on brass ID tag, consult factory for ordering any parts.
- 2) See FM0160 Parts Price Sheet for listing of parts prices.
- 3) "N/A" indicates not applicable.

# REPLACEMENT PARTS LIST FOR SINGLE SEAL MODELS "N145" AND "E145"

See page 7 for illustration.

REF NO.	QTY	Kit	DESCRIPTION	NOTES	N145-B 01/20 thru CURRENT.	E145-B 01/20 thru CURRENT.
1	1		HANDLE		267032	267032
2	1		CASE ASSEMBLY		267051	267051
3	1	*	CASE GASKET		267007	267007
4	1		POWER CORD - 115V	3	011551	N/A
			POWER CORD - 230V		N/A	003618
5	1	*	CORD SEAL ASSEMBLY		156778	156778
6	1		MOTOR HOUSING ASSEMBLY		156811	156811
7	1		STATOR ASSEMBLY - 115V	3	156808	N/A
			STATOR ASSEMBLY - 230V		N/A	156812
8	1		ROTOR & BEARING ASSEMBLY		156777	156777
9	1	*	ROTOR BEARING		009540	009540
10	1	*	21.5 Oz OIL CAN		010330	010330
11	N/A		12 Oz OIL CAN		N/A	N/A
12	1	*	SHAFT SEAL ASSEMBLY		011681	011681
13	1	*	MOTOR HOUSING SEAL		034007	034007
14	1		BASE		019052	019052
15	2		HANDLE RETAINERS		267053	267053
16	1	*	WIRE PACK		011548	011548
17	1		CAPACITOR ASSEMBLY		156807	156807
18	N/A		ADAPTER		N/A	N/A
19	1		PUMP HOUSING		155398	155398
20	1		IMPELLER W-SHIMS		153495	153495
21	2	*	TEST PLUG		034090	034090
22	4	*	SCREW - CASE (1/4-20X3/4)		001916	001916
23	4	*	SCREW - BASE (10-24 X3/4)		001885	001885
24	2	*	SCREW - RETAINER (10-24 X3/8)		001883	001883
25	2	*	SCREW - GROUND & CAPACITOR (6-32X1/4)		001877	001877
26	3	*	THRU WALL TERMINAL		003402	003402
27	N/A		SNAP RING & WASHER		N/A	N/A
28	4	*	SCREW - MOTOR HOUSING (1/4-20X7/8)		012491	012491
29	2	*	SCREW - STATOR (8-32 X 4-9/32)		155319	155319
<input type="checkbox"/>	1		REBUILD KIT		156775	156775

\* Items included in Rebuild kit.  Not shown on illustration

## Service parts notes:

- 1) If an "X" follows model no., or date mfg. on brass ID tag, consult factory for ordering any parts.
- 2) See FM0160 Parts Price Sheet for listing of parts prices.
- 3) "N/A" indicates not applicable.

# REPLACEMENT PARTS LIST FOR DOUBLE SEAL MODELS "N4145" AND "E4145"

See page 7 for illustration.

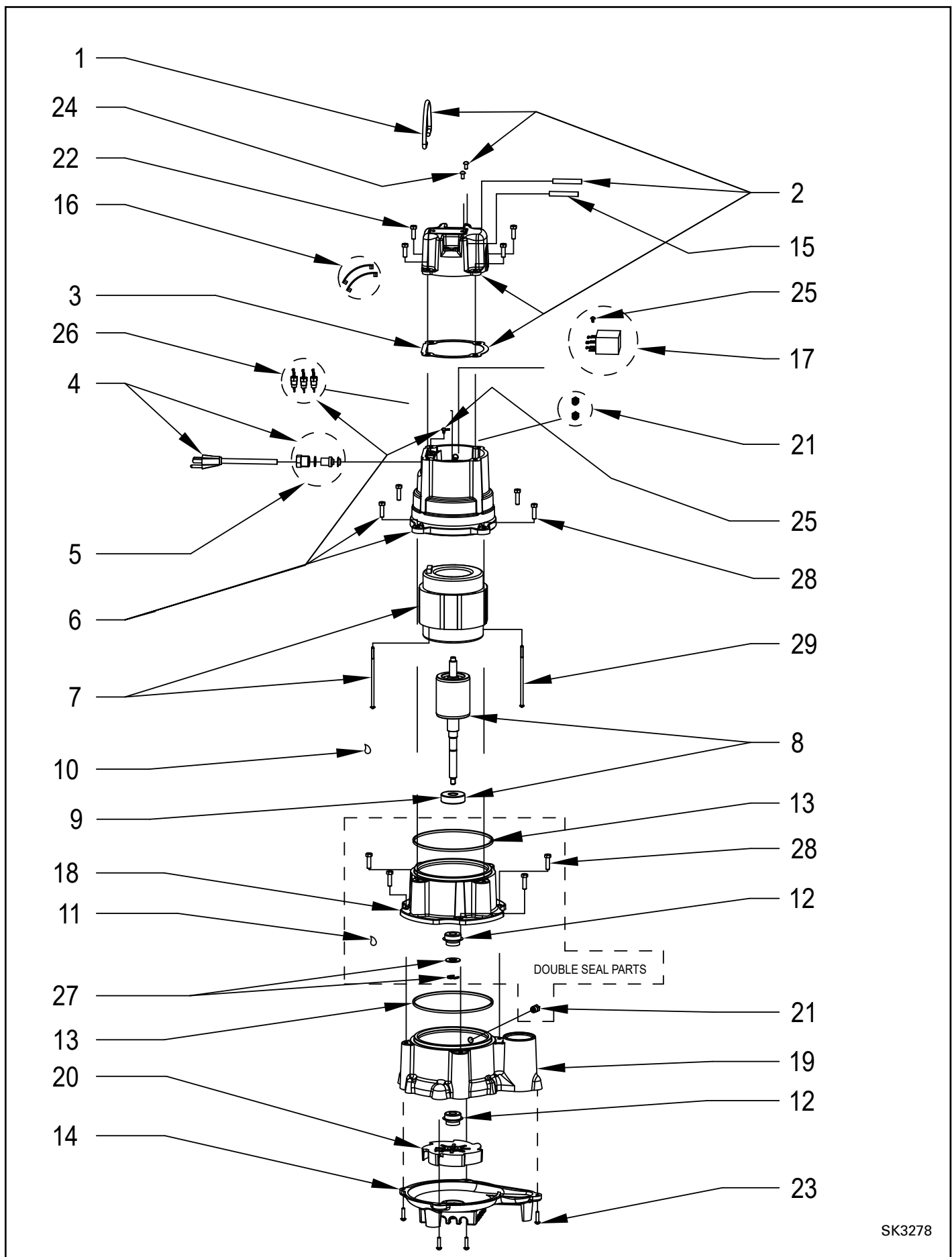
REF NO.	QTY	Kit	DESCRIPTION	NOTES	N145-B 01/20 thru CURRENT.	E145-B 01/20 thru CURRENT.
1	1		HANDLE		267032	267032
2	1		CASE ASSEMBLY		267051	267051
3	1	*	CASE GASKET		267007	267007
4	1		POWER CORD - 115V	3	011551	N/A
			POWER CORD - 230V		N/A	003618
5	1	*	CORD SEAL ASSEMBLY		156778	156778
6	1		MOTOR HOUSING ASSEMBLY		156811	156811
7	1		STATOR ASSEMBLY - 115V	3	156808	N/A
			STATOR ASSEMBLY - 230V		N/A	156812
8	1		ROTOR & BEARING ASSEMBLY		156814	156814
9	1	*	ROTOR BEARING		009540	009540
10	1	*	21.5 Oz OIL CAN		010331	010331
11	1	*	12 Oz OIL CAN		010158	010158
12	2	*	SHAFT SEAL ASSEMBLY		011681	011681
13	1	*	MOTOR HOUSING SEAL		034007	034007
14	1		BASE		019052	019052
15	2		HANDLE RETAINERS		267053	267053
16	1	*	WIRE PACK		011548	011548
17	1		CAPACITOR ASSEMBLY		156807	156807
18	1		ADAPTER		156813	156813
19	1		PUMP HOUSING		155741	155741
20	1		IMPELLER W-SHIMS		153495	153495
21	3	*	TEST PLUG		034090	034090
22	4	*	SCREW - CASE (1/4-20X3/4)		001916	001916
23	4	*	SCREW - BASE (10-24 X3/4)		001885	001885
24	2	*	SCREW - RETAINER (10-24 X3/8)		001883	001883
25	2	*	SCREW - GROUND & CAPACITOR (6-32X1/4)		001877	001877
26	3	*	THRU WALL TERMINAL		003402	003402
27	1	*	SNAP RING & WASHER		010167	010167
28	8	*	SCREW - MOTOR HOUSING (1/4-20X7/8)		012491	012491
29	2	*	SCREW - STATOR (8-32 X 4-9/32)		155319	155319
☐	1		REBUILD KIT		156776	156776

\* Items included in Rebuild kit. ☐ Not shown on illustration

## Service parts notes:

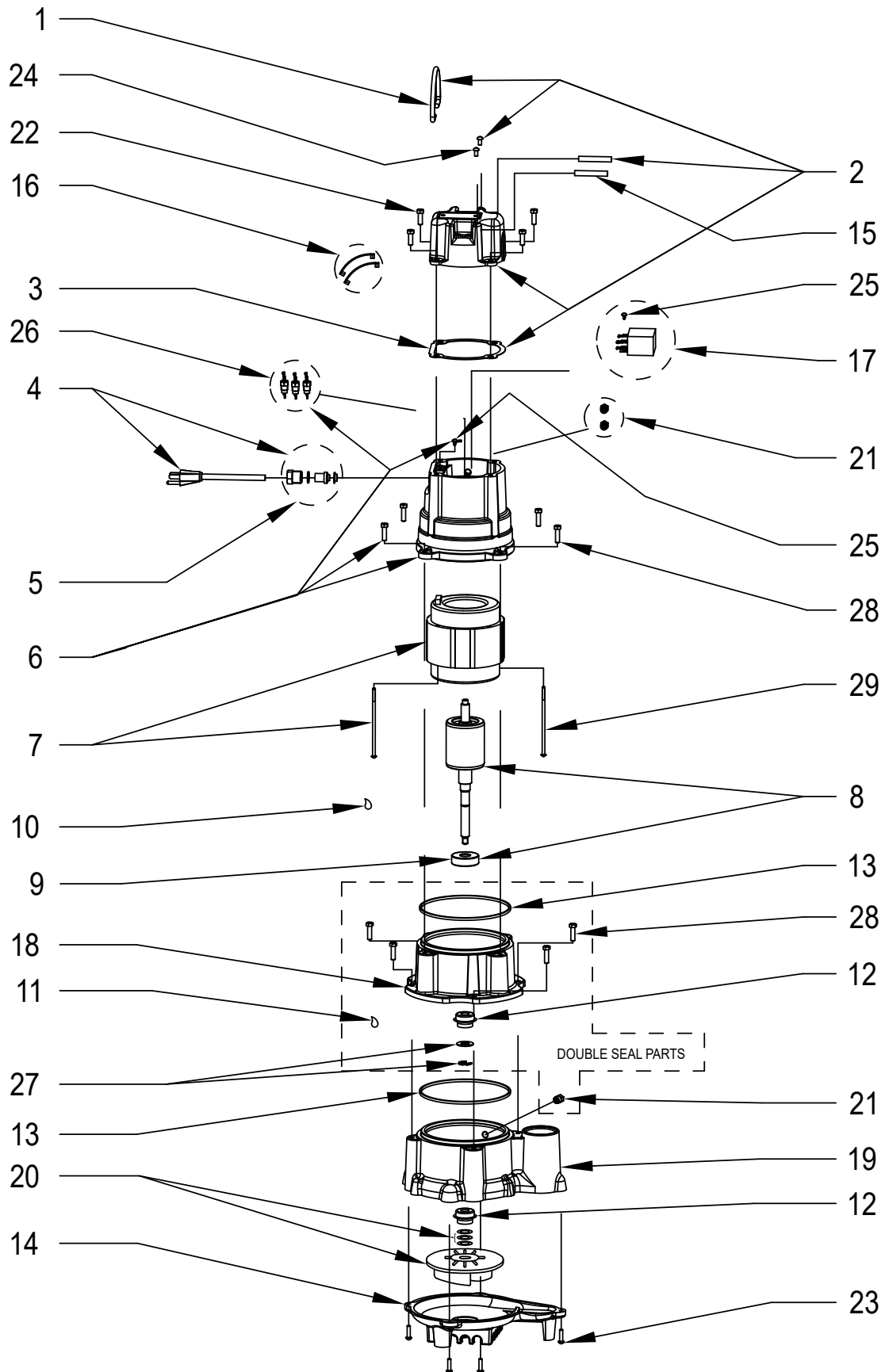
- 1) If an "X" follows model no., or date mfg. on brass ID tag, consult factory for ordering any parts.
- 2) See FM0160 Parts Price Sheet for listing of parts prices.
- 3) "N/A" indicates not applicable.

REPLACEMENT PARTS ILLUSTRATION FOR MODELS "140" AND "4140"



SK3278

**REPLACEMENT PARTS ILLUSTRATION FOR MODELS "145" AND "4145"**



SK3282

# REPLACEMENT PARTS LIST FOR MODELS:

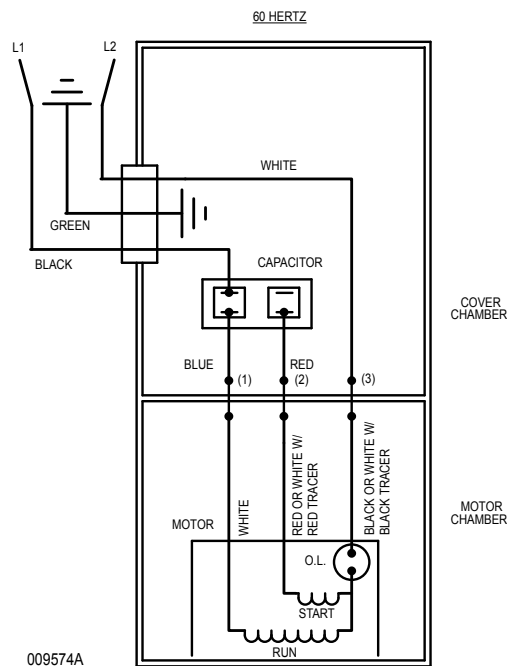
N140 NONAUTOMATIC 115V  
 E140 NONAUTOMATIC 230V  
 N4140 NONAUTOMATIC 115V  
 E4140 NONAUTOMATIC 230V  
 N145 NONAUTOMATIC 115V  
 E145 NONAUTOMATIC 230V  
 N4145 NONAUTOMATIC 115V  
 E4145 NONAUTOMATIC 230V

Consult factory for all other models

**TO ORDER REPLACEMENT PARTS**

**PLEASE FURNISH THE FOLLOWING INFORMATION:**

- Model number
- Part number of pump
- Part number and description of part



WIRING DIAGRAM FOR MODELS  
 "N140" "A-F"; "N4140" "A-F";  
 "E140"; "E4140"  
 2/95 thru 12/19  
 "N145" & "E145" "A";  
 "N4145" & "E4145" "A"



# REPLACEMENT PARTS LIST FOR SINGLE SEAL MODELS "N140" and "E140".

See page 13 for illustration.

REF NO.	DESCRIPTION	QTY	MODELS:												
			N140-A	N140-B	N140-C	N140-D	N140-E	N140-F	E140-A	E140-B	E140-C	E140-D	E140-E	E140-F	
1	HANDLE	1	2/95 thru 5/97	6/97 thru 9/02	10/02 thru 3/07	4/07 thru 4/08	5/08 thru 8/09	9/09 thru 12/19		2/95 thru 5/97	6/97 thru 9/02	10/02 thru 3/07	4/07 thru 6/08	7/08 thru 12/08	1/09 thru 12/19
2	CASE ASSEMBLY	1	267051	267052	267053	267054	267055	267056	267057	267058	267059	267060	267061	267062	267063
3	CASE GASKET	1	267007	267007	267007	267007	267007	267007	267007	267007	267007	267007	267007	267007	267007
4	POWER CORD	1	011551	011551	011551	011551	011551	011551	011551	011551	011551	011551	011551	011551	011551
5	SEAL ASSEMBLY POWER	1	010154	010154	010154	010154	010154	010154	010154	010154	010154	010154	010154	010154	010154
6	MOTOR HOUSING ASM/SOURCE	1	010156	010156	010156	010156	010156	010156	010156	010156	010156	010156	010156	010156	010156
	MOTOR HOUSING ASM/ZT	1	N/A	N/A	N/A	N/A	N/A	N/A	N/A	N/A	N/A	N/A	N/A	N/A	N/A
7	ROTOR & BRG ASM/SOURCE	1	010994	010994	010994	010994	010994	010994	010994	010994	010994	010994	010994	010994	010994
	ROTOR & BRG ASM/ZT	1	N/A	N/A	N/A	N/A	N/A	N/A	N/A	N/A	N/A	N/A	N/A	N/A	N/A
8	25 OZ OIL CAN	1	010330	010330	010330	010330	010330	010330	010330	010330	010330	010330	010330	010330	010330
9	16 OZ OIL CAN	N/A	N/A	N/A	N/A	N/A	N/A	N/A	N/A	N/A	N/A	N/A	N/A	N/A	N/A
10	SEAL ASSEMBLY	1	011681	011681	011681	011681	011681	011681	011681	011681	011681	011681	011681	011681	011681
11	SQUARE RING SEAL	1	267006	267006	267006	267006	267006	267006	267006	267006	267006	267006	267006	267006	267006
12	BASE	1	010324	010324	010324	010324	010324	010324	010324	010324	010324	010324	010324	010324	010324
13	HANDLE RETAINERS	2	267053	267053	267053	267053	267053	267053	267053	267053	267053	267053	267053	267053	267053
14	TERM INSULATOR	2	001797	N/A	N/A	N/A	N/A	N/A	N/A	N/A	N/A	N/A	N/A	N/A	N/A
15	WIRE PACK	1	010159	011548	011548	011548	011548	011548	011548	011548	011548	011548	011548	011548	011548
16	CAPACITOR ASSEMBLY	1	010160	011550	011550	011550	011550	011550	011550	011550	011550	011550	011550	011550	011550
17	BEARING RADIAL	1	009540	009540	009540	009540	009540	009540	009540	009540	009540	009540	009540	009540	009540
18	ADAPTER	N/A	N/A	N/A	N/A	N/A	N/A	N/A	N/A	N/A	N/A	N/A	N/A	N/A	N/A
19	PUMP HOUSING	1	009518	009518	04813	04813	04813	04813	04813	04813	04813	04813	04813	04813	04813
20	IMPELLER	1	N/A	N/A	04457	04457	04457	04457	04457	04457	04457	04457	04457	04457	04457
21	TEST PLUG	2	034090	034090	034090	034090	034090	034090	034090	034090	034090	034090	034090	034090	034090
22	SCREW 1/4-20X3/4	4	001916	001916	001916	001916	001916	001916	001916	001916	001916	001916	001916	001916	001916
23	SCREW 10-24X3/4	4	001885	001885	001885	001885	001885	001885	001885	001885	001885	001885	001885	001885	001885
24	SCREW 10-24X3/8	2	001883	001883	001883	001883	001883	001883	001883	001883	001883	001883	001883	001883	001883
25	SCREW 6-32X7/16	1	004644	004644	004644	004644	004644	004644	004644	004644	004644	004644	004644	004644	004644
26	WASHER#6	1	002117	002117	002117	002117	002117	002117	002117	002117	002117	002117	002117	002117	002117
27	GROUND SCREW	3	001877	001877	001877	001877	001877	001877	001877	001877	001877	001877	001877	001877	001877
28	THRU WALL TERMINAL	3	003402	003402	003402	003402	003402	003402	003402	003402	003402	003402	003402	003402	003402
29	SNAP RING & WASHER	N/A	N/A	N/A	N/A	N/A	N/A	N/A	N/A	N/A	N/A	N/A	N/A	N/A	N/A
30	SEMI SCREW	1	002000	002000	N/A	N/A	N/A	N/A	N/A	N/A	N/A	N/A	N/A	N/A	N/A
31	SCREW 1/2-20X	4	012491	012491	012491	012491	012491	012491	012491	012491	012491	012491	012491	012491	012491
32	CAP BRACKET	1	153350	153350	153350	153350	153350	153350	153350	153350	153350	153350	153350	153350	153350
□	REBUILD KIT	1	010173	010173	010173	010173	010173	010173	010173	010173	010173	010173	010173	010173	010173

□ Not shown in illustration.

**NOTES:**

- See FM0160 price sheet for listing of parts pricing.
- "N/A" indicates not applicable
- If an "x" follows model number or date of manufacture on brass I.D. tag, consult factory for ordering of this part.
- The capacitor assembly on "REV. A" pumps only (Item 16), includes the case assembly (Item 2) which the customer must also replace.
- When ordering motor housing (Item 6) or rotor and bearing (Item 7), specify either source or Z1 motor. Z1 stator can be identified by a completely round stator

**REPLACEMENT PARTS LIST FOR DOUBLE SEAL MODELS “N4140” and “E4140”.**

See page 13 for illustration.

REF NO.	DESCRIPTION	QTY	MODELS:										E4140-F							
			N4140-A	N4140-B	N4140-C	N4140-D	N4140-E	N4140-F	E4140-A	E4140-B	E4140-C	E4140-D		E4140-E						
	NOTES																			
1	HANDLE	1	267032	267032	267032	267032	267032	267032	267032	267032	267032	267032	267032	267032	267032	267032	267032	267032	267032	267032
2	CASE ASSEMBLY	1	267051	011549	011549	011549	011549	011549	011549	011549	011549	011549	011549	011549	011549	011549	011549	011549	011549	011549
3	CASE GASKET	1	267007	267007	267007	267007	267007	267007	267007	267007	267007	267007	267007	267007	267007	267007	267007	267007	267007	267007
4	POWER CORD	1	010155	010155	010155	010155	010155	010155	010155	010155	010155	010155	010155	010155	010155	010155	010155	010155	010155	010155
5	SEAL ASSEMBLY POWER	1	010154	010154	010154	010154	010154	010154	010154	010154	010154	010154	010154	010154	010154	010154	010154	010154	010154	010154
6	MOTOR HOUSING ASMSOURCE	1	010156	010156	010156	010156	010156	010156	010156	010156	010156	010156	010156	010156	010156	010156	010156	010156	010156	010156
	MOTOR HOUSING ASM/ZT	1	N/A	N/A	N/A	N/A	N/A	N/A	N/A	N/A	N/A	N/A	N/A	N/A	N/A	N/A	N/A	N/A	N/A	N/A
7	ROTOR & BRG ASMSOURCE	1	010996	010996	010996	010996	010996	010996	010996	010996	010996	010996	010996	010996	010996	010996	010996	010996	010996	010996
	ROTOR & BRG ASM/ZT	1	N/A	N/A	N/A	N/A	N/A	N/A	N/A	N/A	N/A	N/A	N/A	N/A	N/A	N/A	N/A	N/A	N/A	N/A
8	36.5 OZ OIL CAN	1	010321	010321	010321	010321	010321	010321	010321	010321	010321	010321	010321	010321	010321	010321	010321	010321	010321	010321
9	16 OZ OIL CAN	1	010158	010158	010158	010158	010158	010158	010158	010158	010158	010158	010158	010158	010158	010158	010158	010158	010158	010158
10	SEAL ASSEMBLY	2	011681	011681	011681	011681	011681	011681	011681	011681	011681	011681	011681	011681	011681	011681	011681	011681	011681	011681
11	SQUARE RING SEAL	2	267006	267006	267006	267006	267006	267006	267006	267006	267006	267006	267006	267006	267006	267006	267006	267006	267006	267006
12	BASE	1	010324	010324	010324	010324	010324	010324	010324	010324	010324	010324	010324	010324	010324	010324	010324	010324	010324	010324
13	HANDLE RETAINERS	2	267053	267053	267053	267053	267053	267053	267053	267053	267053	267053	267053	267053	267053	267053	267053	267053	267053	267053
14	TERM INSULATOR	2	001797	N/A	N/A	N/A	N/A	N/A	N/A	N/A	N/A	N/A	N/A	N/A	N/A	N/A	N/A	N/A	N/A	N/A
15	WIRE PACK	1	010159	011548	011548	011548	011548	011548	011548	011548	011548	011548	011548	011548	011548	011548	011548	011548	011548	011548
16	CAPACITOR ASSEMBLY	1	010160	011550	011550	011550	011550	011550	011550	011550	011550	011550	011550	011550	011550	011550	011550	011550	011550	011550
17	BEARING RADIAL	1	009540	009540	009540	009540	009540	009540	009540	009540	009540	009540	009540	009540	009540	009540	009540	009540	009540	009540
18	ADAPTER	1	011679	011679	011679	011679	011679	011679	011679	011679	011679	011679	011679	011679	011679	011679	011679	011679	011679	011679
19	PUMP HOUSING	1	009518	009518	014813	014813	014813	014813	014813	014813	014813	014813	014813	014813	014813	014813	014813	014813	014813	014813
20	IMPELLER	1	N/A	N/A	014457	014457	014457	014457	014457	014457	014457	014457	014457	014457	014457	014457	014457	014457	014457	014457
21	TEST PLUG	3	034090	034090	034090	034090	034090	034090	034090	034090	034090	034090	034090	034090	034090	034090	034090	034090	034090	034090
22	SCREW 1/4-20X3/4	8	001916	001916	001916	001916	001916	001916	001916	001916	001916	001916	001916	001916	001916	001916	001916	001916	001916	001916
23	SCREW 1/4-20X3/4	4	001895	001895	001895	001895	001895	001895	001895	001895	001895	001895	001895	001895	001895	001895	001895	001895	001895	001895
24	SCREW 1/4-20X3/8	2	001883	001883	001883	001883	001883	001883	001883	001883	001883	001883	001883	001883	001883	001883	001883	001883	001883	001883
25	SCREW 6-32X7/16	1	004644	004644	004644	004644	004644	004644	004644	004644	004644	004644	004644	004644	004644	004644	004644	004644	004644	004644
26	WASHER #6	1	002117	002117	002117	002117	002117	002117	002117	002117	002117	002117	002117	002117	002117	002117	002117	002117	002117	002117
27	GROUND SCREW	3	001877	001877	001877	001877	001877	001877	001877	001877	001877	001877	001877	001877	001877	001877	001877	001877	001877	001877
28	THRU WALL TERMINAL	3	003402	003402	003402	003402	003402	003402	003402	003402	003402	003402	003402	003402	003402	003402	003402	003402	003402	003402
29	SNAP RING & WASHER	1	010167	010167	010167	010167	010167	010167	010167	010167	010167	010167	010167	010167	010167	010167	010167	010167	010167	010167
30	SEM SCREW	1	002000	002000	N/A	N/A	N/A	N/A	N/A	N/A	N/A	N/A	N/A	N/A	N/A	N/A	N/A	N/A	N/A	N/A
31	SCREW 1/4-20X	4	012491	012491	012491	012491	012491	012491	012491	012491	012491	012491	012491	012491	012491	012491	012491	012491	012491	012491
32	CAP BRACKET	1	153350	153350	153350	153350	153350	153350	153350	153350	153350	153350	153350	153350	153350	153350	153350	153350	153350	153350
□	REBUILD KIT	1	010166	010166	010166	010166	010166	010166	010166	010166	010166	010166	010166	010166	010166	010166	010166	010166	010166	010166

□ Not shown in illustration.

**NOTES:**

- 1) See FM0160 parts price sheet for listing of parts pricing.
- 2) "N/A" indicates not applicable
- 3) If an "x" follows model number or date of manufacture on brass I.D. tag, consult factory for ordering of this part.
- 4) The capacitor assembly on "REV. A" pumps only (Item 16), includes the case assembly (Item 2) which the customer must also replace.
- 5) When ordering motor housing (Item 6) or rotor and bearing (Item 7), specify either source or ZT motor. ZT stator can be identified by a completely round stator

# REPLACEMENT PARTS LIST FOR SINGLE SEAL MODELS “N145” & “E145”

See page 14 for illustration.

REF NO.	DESCRIPTION	QTY	NOTES	MODELS:	
				N145-A	E145-A
				4/08 thru 12/19	11/11 thru 12/19
1	HANDLE	1		267032	267032
2	CASE ASSEMBLY	1		011549	011549
3	• CASE GASKET	1		267007	267007
4	POWER CORD	1	3	011551	003618
5	• SEAL ASSEMBLY POWER	1		010154	010154
6	MOTOR HOUSING ASSEMBLY	1		010156	010157
7	ROTOR & BRG ASM	1		010994	010994
8	• 25 OZ OIL CAN	1		010330	010330
9	16 OZ OIL CAN	N/A		N/A	N/A
10	• SEAL ASSEMBLY	1		011681	011681
11	• SQUARE RING SEAL	1		267006	267006
12	BASE	1		019052	019052
13	HANDLE RETAINERS	2		267053	267053
14	TERM INSULATOR	2		N/A	N/A
15	• WIRE PACK	1		010159	010159
16	CAPACITOR ASSEMBLY	1		011550	011550
17	• BEARING RADIAL	1		009540	009540
18	ADAPTER	N/A		N/A	N/A
19	PUMP HOUSING	1		009518	009518
20	IMPELLER W-SHIMS	1		153495	153495
21	• TEST PLUG	2		034090	034090
22	• SCREW 1/4-20X3/4	4		001916	001916
23	• SCREW 10-24X3/4	4		001885	001885
24	• SCREW 10-24X3/8	2		001883	001883
25	• SCREW 6-32X7/16	1		004644	004644
26	• WASHER#6	1		002117	002117
27	• GROUND SCREW	3		001877	001877
28	• THRU WALL TERMINAL	3		003402	003402
29	• SNAP RING & WASHER	N/A		N/A	N/A
30	• SEM SCREW	1		N/A	N/A
31	SCREW 1/4-20X	4		012491	012491
32	CAP BRACKET	1		153350	153350
□	REBUILD KIT	1		010173	010173

• Items included in Rebuild Kit.

□ Not shown in illustration.

## NOTES:

- 1) See FM0160 parts price sheet for listing of parts pricing.
- 2) “NA” indicates not applicable
- 3) If an “x” follows model number or date of manufacture on brass I.D. tag, consult factory for ordering of this part.

# REPLACEMENT PARTS LIST FOR DOUBLE SEAL MODELS “N4145” & “E4145”

See page 14 for illustration.

REF NO.	DESCRIPTION	QTY	NOTES	MODELS:	
				N4145-A	E4145-A
				4/08 thru 12/19	11/11 thru 12/19
1	HANDLE	1		267032	267032
2	CASE ASSEMBLY	1		011549	011549
3	• CASE GASKET	1		267007	267007
4	POWER CORD	1	3	011551	003618
5	• SEAL ASSEMBLY POWER	1		010154	010154
6	MOTOR HOUSING ASSEMBLY	1		010156	010157
7	ROTOR & BRG ASM	1		010996	010996
8	• 36.5 OZ OIL CAN	1		010331	010331
9	• 16 OZ OIL CAN	1		010158	010158
10	• SEAL ASSEMBLY	2		011681	011681
11	• SQUARE RING SEAL	2		267006	267006
12	BASE	1		019052	019052
13	HANDLE RETAINERS	2		267053	267053
14	TERM INSULATOR	2		N/A	N/A
15	• WIRE PACK	1		010159	010159
16	CAPACITOR ASSEMBLY	1		011550	011550
17	• BEARING RADIAL	1		009540	009540
18	ADAPTER	1		011679	011679
19	PUMP HOUSING	1		009518	009518
20	IMPELLER W-SHIMS	1		153495	153495
21	• TEST PLUG	3		034090	034090
22	• SCREW 1/4-20X3/4	8		001916	001916
23	• SCREW 10-24X3/4	4		001885	001885
24	• SCREW 10-24X3/8	2		001883	001883
25	• SCREW 6-32X7/16	1		004644	004644
26	• WASHER #6	1		002117	002117
27	• GROUND SCREW	3		001877	001877
28	• THRU WALL TERMINAL	3		003402	003402
29	• SNAP RING & WASHER	1		010167	010167
30	• SEM SCREW	1		N/A	N/A
31	SCREW ¼-20X	4		012491	012491
32	CAP BRACKET	1		153350	153350
□	REBUILD KIT	1		010166	010166

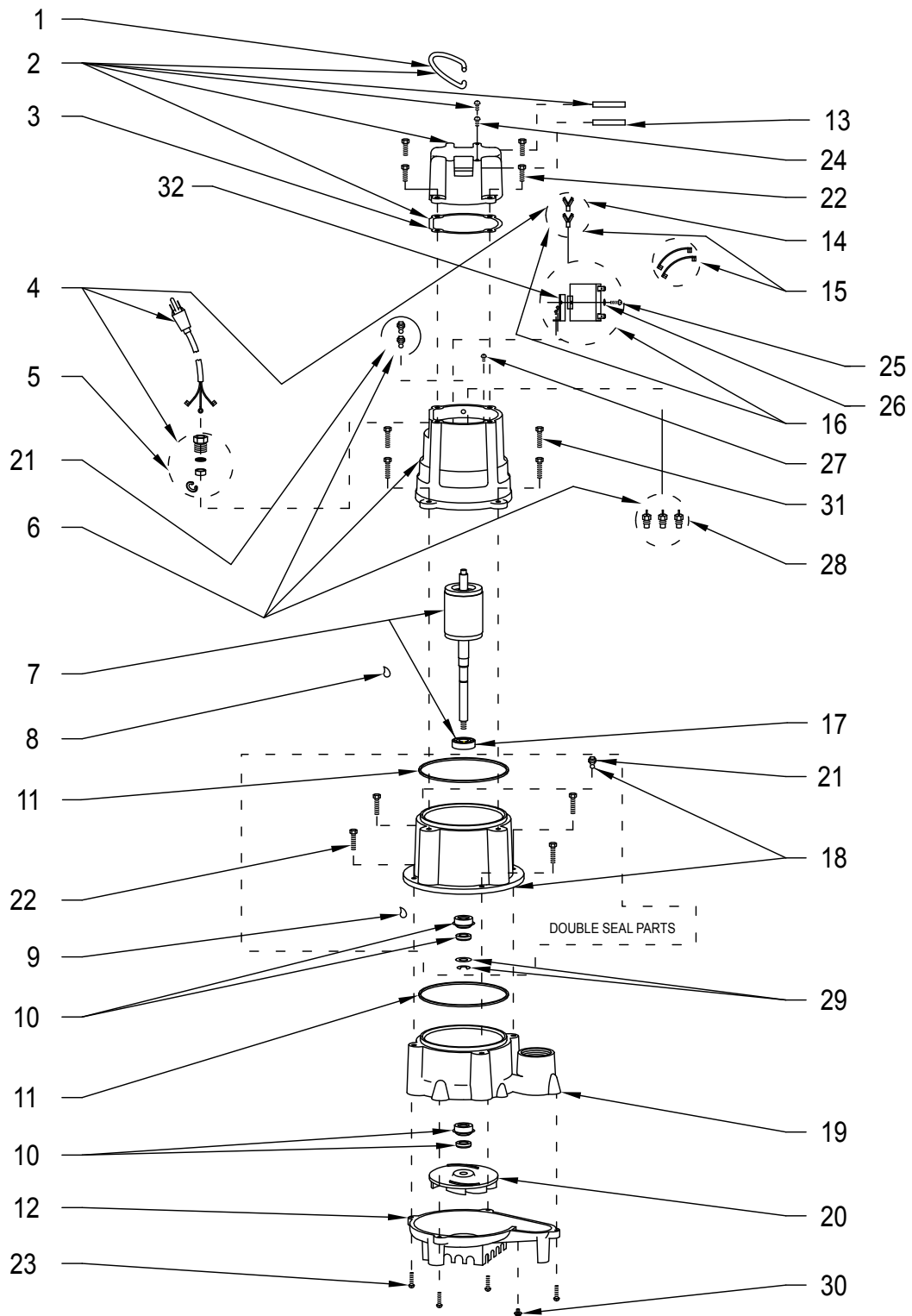
• Items included in Rebuild Kit.

□ Not shown in illustration.

## NOTES:

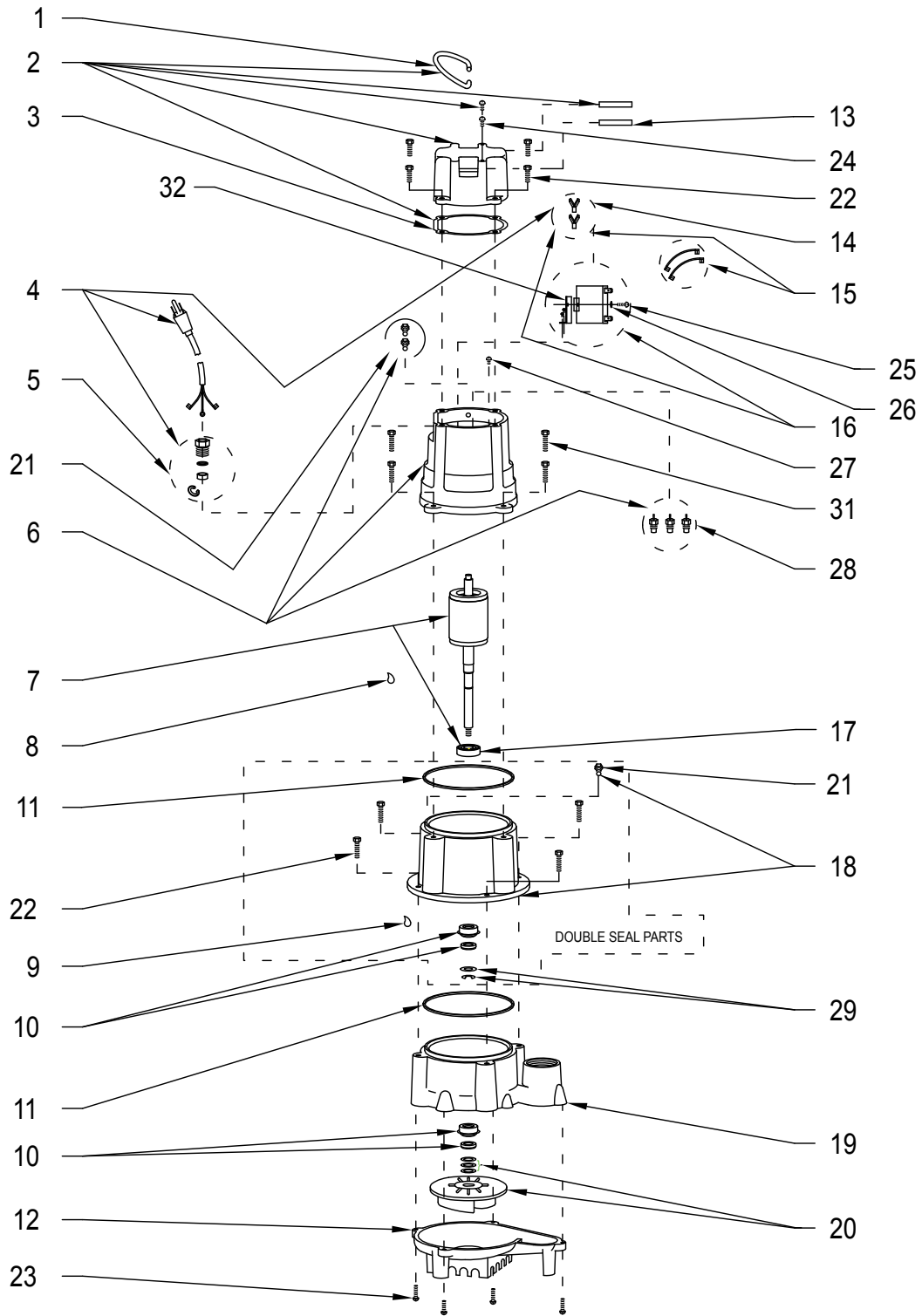
- 1) See FM0160 parts price sheet for listing of parts pricing.
- 2) “NA” indicates not applicable
- 3) If an “x” follows model number or date of manufacture on brass I.D. tag, consult factory for ordering of this part.

# REPLACEMENT PARTS ILLUSTRATION FOR MODELS "140" and "4140"



SK1538

# REPLACEMENT PARTS ILLUSTRATION FOR MODELS "145" and "4145"



SK2709