



# TYPE "B" SINGLE STAGE CENTRIFUGAL PUMP Electric Motor Drive Self Prime

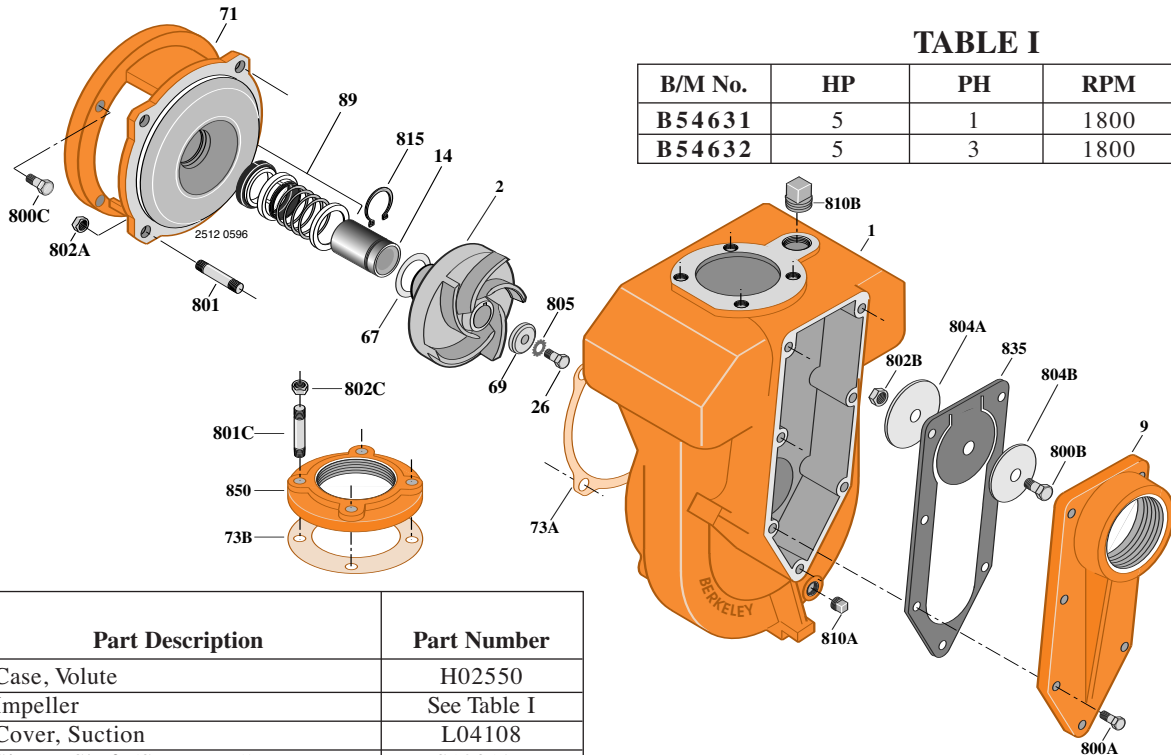
Section	CC/SP
Page	40.1
Date	May 15, 2009
Supersedes 1/1/04	

## CAST IRON IMPELLER

## B4TPKHS

### Threaded Case (NPT)

### Mechanical Seal Construction



**TABLE I**

B/M No.	HP	PH	RPM	Imp. No.
B 54631	5	1	1800	M05524
B 54632	5	3	1800	M05524

Item No.	Part Description	Part Number
1	Case, Volute	H02550
2	Impeller	See Table I
9	Cover, Suction	L04108
14	Sleeve, Shaft (See Note 1)	S19310L
26	Screw, Impeller	S23568
32	Key, 3/16 x 1-1/4" (See Note 1)	S34383
67	Spacer, Impeller	S15405
69	Washer, Impeller Lock	S06314
71	Bracket	See Table II
73A	Gasket, Volute	S04757
73B	Gasket, Blind	S10364
89	Seal, Mechanical Shaft	S32014
800A	Capscrew, 3/8 - 16 x 1-1/4" (7 Req.)	S26828
800B	Capscrew, 3/8 - 16 x 3/4"	S26824
800C	Capscrew, 3/8 - 16 x 1" 4-1/2 AK (4 Req.)	S26826
800C	Capscrew, 1/2 - 13 x 1" 8-1/2 AK (4 Req.)	S26912
801A	Stud, 1/2 - 13 x 1-1/2" (4 Req.)	S24043
801B	Stud, 5/8 - 11 x 2-1/2" (4 Req.)	S24062
802A	Nut, Hex 1/2 - 13 (4 Req.)	S23107
802B	Nut, Hex 3/8 - 16	S23103
802C	Nut, Hex 5/8 - 11 (4 Req.)	S23109
804A	Weight, Clack	S14842
804B	Weight, Clack	S15325
805	Washer, Lock	S23036
810A	Plug, Pipe 1/2 NPT	S23717
810B	Plug, Pipe 1-1/4 NPT	S23694
815	Ring, Retaining	S11207
835	Clack, Rubber	L04119
850	Flange, Companion	S15933

**TABLE II**

HP	PH	Bracket No.	"AK" Fit	"U" Dim.	Motor Frame
3	1	L05328	8-1/2"	7/8"	213JM
3	3	L05329	4-1/2"	7/8"	184JM

**NOTE 1:** For an explanation of the tabulated material found on this page and for impeller key location, refer to *Supplement A* located at the beginning of section *CC*.

**NOTE 2:** Sleeve replacement kit available. Berkeley part number B85681 includes the shaft sleeve, adhesive compound and instruction sheet.