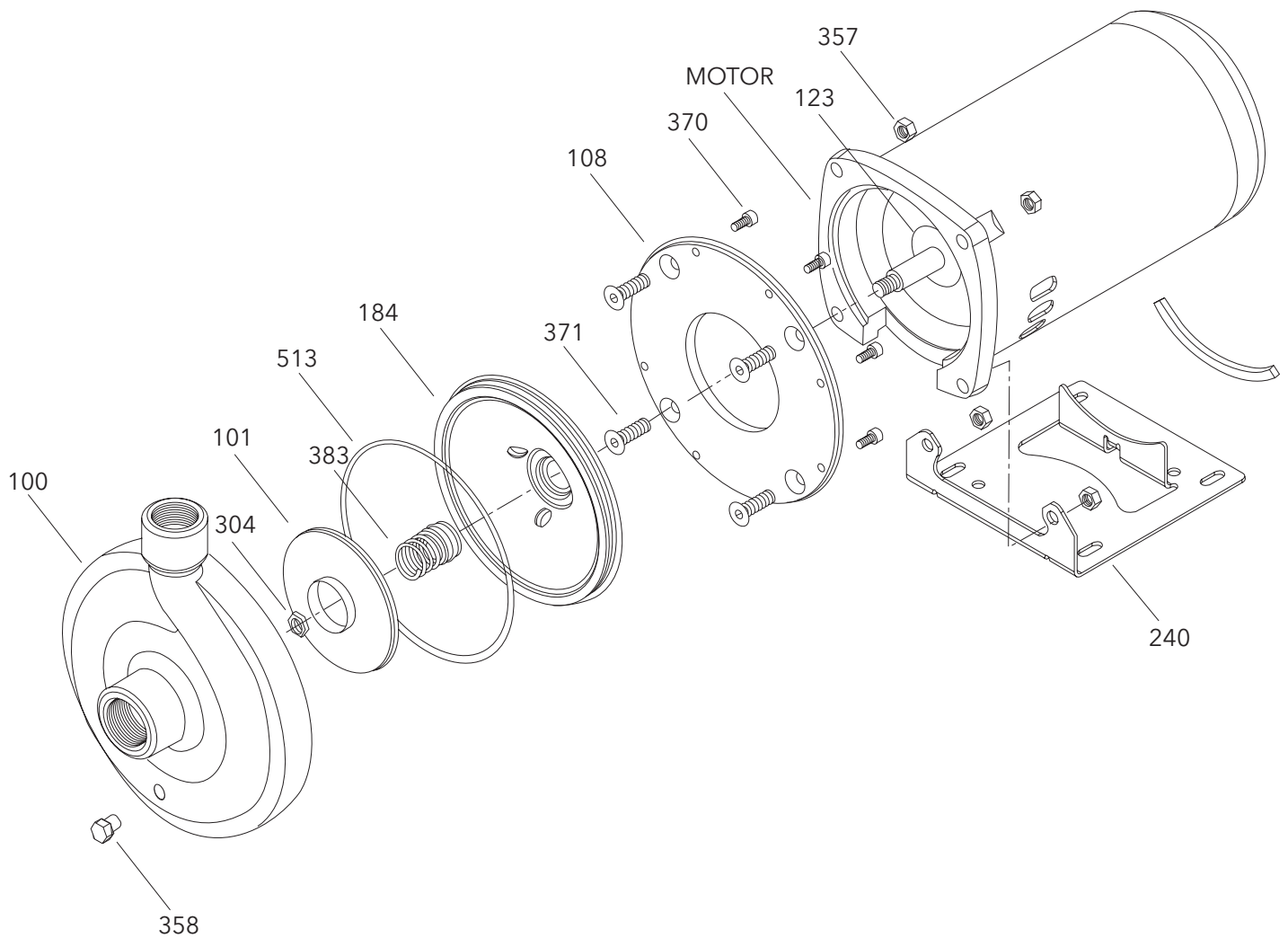


# MCC REPAIR PARTS



REPAIR PARTS / RMCC R4



Item No.	Description	Materials of Construction	1MC 1 x 1¼	2MC 1¼ x 1½	3MC 1½ x 2	Quantity
100	Casing	Iron	1K337	1K338	1K339	1
101	Impeller	AISI 316L SS	See Impeller Chart			1
108	Motor adapter	Aluminum	1K336			1
123	Deflector	BUNA-N	5K7			1
184	Seal housing	AISI 316L SS	1L79			1
240	Motor support	Steel	4K628			1
	Rubber channel - 56 FRM - 48 FRM	Rubber	9K188			1
			9K286			1
304	Impeller locknut	AISI 316 SS	13K286			1
357	Nut, motor	AISI 300 SS	13K262			4
358	Plug, drain	Plated Steel	6K2			1
370	Socket head screw, casing	AISI 410 SS	13K268			8
371	Bolts, motor	AISI 300 SS	13K287			4
383	Mechanical seal	-	See mechanical seal chart			1
513	O-ring, casing	BUNA	5K4			1
		EPR	5K193			
		Viton standard	5K206			

Mechanical Seal (5/8" seal)				
Rotary	Stationary	Elastomers	Metal Parts	Part No.
Carbon	Ceramic	BUNA	18-8SS	10K10
		EPR	316 SS	10K18
		Viton		10K55*
Sil-Carbide	Sil-Carbide	EPR	316 SS	10K81
		Viton		10K62

\*Replaces obsolete 10K24.

Impeller Code	Pump Size					
	1 x 1¼ - 6		1¼ x 1½ - 6		1½ x 2 - 6	
	Diameter	Part No.	Diameter	Part No.	Diameter	Part No.
A	6⅛	2K1203			5⅛	2K1401
B	5¾	2K1202	5 <sup>15</sup> / <sub>16</sub>	2K1392	5	2K1402
C	5 <sup>3</sup> / <sub>16</sub>	2K1201	5¾	2K1393	4¾	2K1403
D	4¾	2K1200	5 <sup>11</sup> / <sub>32</sub>	2K1394	4½	2K1404
E	4 <sup>7</sup> / <sub>16</sub>	2K1199	5 <sup>1</sup> / <sub>16</sub>	2K1395	4 <sup>3</sup> / <sub>8</sub>	2K1405
F			4 <sup>7</sup> / <sub>8</sub>	2K1396	4	2K1406
G			4 <sup>5</sup> / <sub>8</sub>	2K1397	3 <sup>5</sup> / <sub>8</sub>	2K1407
H			4¼	2K1398		
J			4	2K1399		



Xylem Inc.  
Phone: (866) 673-0428  
Fax: (888) 322-5877  
www.xylem.com/goulds

Goulds is a registered trademark of Goulds Pumps Inc. and is used under license. © 2021 Xylem Inc. RMCC R4 February 2021