



REPAIR PARTS
R5-25GS05 R8



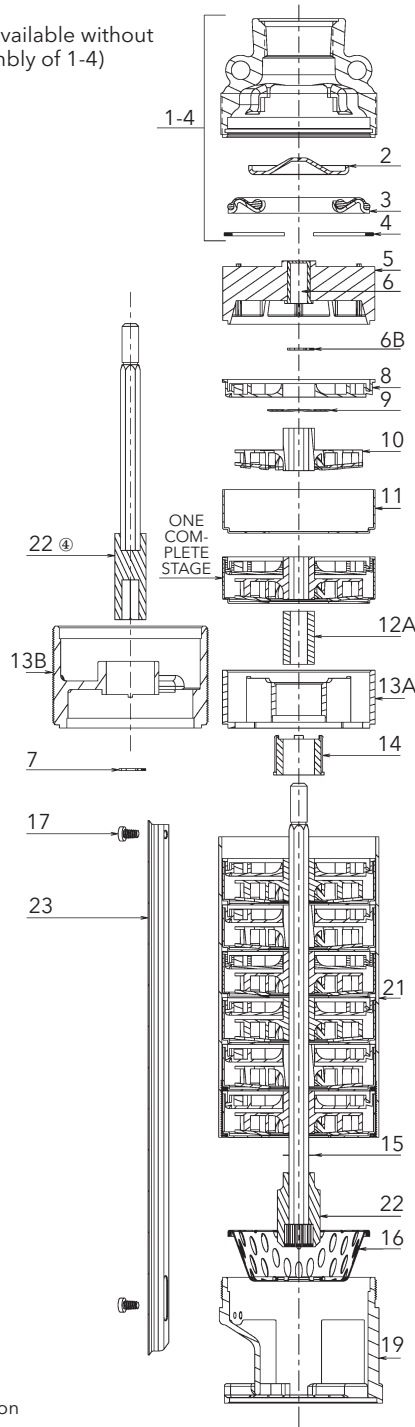
GS 4" Submersible Pumps

REPAIR PARTS

PUMPS BUILT AFTER JULY 2005

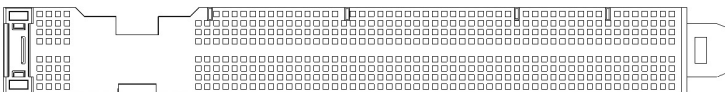


(not available without assembly of 1-4)



④ Intermediate Shaft Sleeve 7K1490 is now a pressed on part of the upper shaft assembly on split case pumps.

⑦ Optional wrap around inlet strainer - 7K2242



Item No.	Description	Current Models								
		Models with 1 Safety Loop and 4 Cable Guard Screws								
	NUMBER OF STAGES	HP	5GS	7GS	10GS A ⑥	10GS B ⑥	13GS	18GS	25GS	
		1/2R	9	7	5	8	-	-	-	
		1/2	12	10	7	10	5	-	-	
		3/4	15	13	10	14	7	6	-	
		1	20	17	12	16	10	8	7	
		1 1/2	26 ①	22	17	17	12	11	9	
		2	33 ②	27 ①	20	20	17	14	11	
		3	-	34 ②	27 ②	27 ②	21	19	15	
		5	-	-	42 ②	42 ②	-	30 ②	26 ②	
1-4		Discharge head assembly	7K1326	7K1326	7K1326	7K1326	7K1326	7K1326	7K1326	
2	Check valve poppet	7K1366	7K1366	7K1366	7K1366	7K1366	7K1366	7K1366		
3	C.V. seal/seat assembly	7K2123	7K2123	7K2123	7K2123	7K2123	7K2123	7K2123		
4	C.V. retaining ring	7K1364	7K1364	7K1364	7K1364	7K1364	7K1364	7K1364		
5	Bearing spider - upper	7K1372	7K1372	7K1372	7K1372	7K1372	7K1372	7K1372		
6	Bearing	7K2739	7K2739	7K2739	7K2739	7K2739	7K2739	7K2739		
6B	Klip Ring	7K817	7K817	7K817	7K817	7K817	7K817	7K817		
7	Shaft retaining ring - upper	7K817	7K817	7K817	7K817	7K817	7K817	7K817		
8	Diffuser	7K1750	7K995	7K17	7K17	7K17	7K20	7K20		
9	Uphrust washer	7K15	7K15	7K15	7K15	7K15	7K15	7K15		
10A	Impeller	1/2 - 1 1/2	7K1837	7K1343	-	-	7K16	7K1334	7K19	
		2 & 3	-	7K994	-	-	-	-	-	
10B	Impeller - 10GS	1/2 - 1	-	-	7K35	7K3449	-	-	-	
		1 1/2 - 5	-	-	-	7K35	-	-	-	
11	Bowl	7K1838	7K478	7K478	7K478	7K478	7K858	7K18		
12A ①	Intermediate shaft sleeve	7K209	-	7K209	7K209	-	7K209	7K209		
12B ②	Intermediate shaft sleeve	④	④	④	④	-	④	-		
13A ①	Intermediate bearing spider	7K1371	-	-	-	-	-	-		
13B ②	Intermediate bearing spider	7K2676	7K2676	7K2676	7K2676	-	7K2676	7K2676		
14	Mid bearing for 12A & 12B	7K2755	7K2755	7K2755	7K2755	-	7K2755	7K2755		
15	Shim	7K155	7K155	7K155	7K155	7K155	7K155	7K155		
		7K1336	7K1336	7K1336	7K1336	7K1336	7K1336	7K1336		
16 ⑦	Inlet strainer	7K1370								
17	Screws - cable guard	13K91	13K91	13K91	13K91	13K91	13K91	13K91		
18	Hex nut (not shown)	13K114	13K114	13K114	13K114	13K114	13K114	13K114		
19	Motor Adapter	7K1363	7K1363	7K1363	7K1363	7K1363	7K1363	7K1363		
20	Motor lead insulator (not shown)	7K1023	7K1023	7K1023	7K1023	7K1023	7K1023	7K1023		
21	Casings	1/2R	7K2682	7K2689	7K3451	7K3451	-	-	-	
		1/2	7K2673	7K2690	7K2699	7K1925	7K2697	-	-	
		3/4	7K2674	7K2675	7K3452	7K3452	7K2698	7K2818	-	
		1	7K1960	7K2815	7K3453	7K3453	7K2699	7K2699	7K2715	
		Upper	1 1/2	7K2684	7K1953	7K2700	7K1944	7K2673	7K1940	7K2716
				-	-	-	-	-	-	-
		Lower	2	7K2685	7K2692	7K1960	7K1949	7K2700	7K1947	7K2674
				7K2686	-	-	-	-	-	-
		Upper	3	-	7K2693	7K2701	7K1946	7K2215	7K2852	7K1971
				-	7K2694	7K2702	7K1943	-	-	-
Lower	5	-	-	7K2461	7K1971	-	7K2710	7K1738		
		-	-	7K2687	7K1936	-	7K2711	7K2718		
22	Shaft and coupling assemblies	1/2R	7K1033	7K1361	7K1358	7K1483	-	-	-	
		1/2	7K1377	7K1376	7K1360	7K1375	7K1358	-	-	
		3/4	7K1381	7K1380	7K1375	7K1567	7K1360	7K1359	-	
		1	7K1458	7K1384	7K1377	7K1484	7K1375	7K1375	7K1374	
		Upper	1 1/2	7K1839	7K1389	7K1457	7K1457	7K1377	7K1380	7K1378
				-	-	-	-	-	-	-
		Lower	2	7K2254	7K1391	7K1458	7K1458	7K1457	7K1382	7K1381
				7K2293	-	-	-	-	-	-
		Upper	3	-	7K2248	7K2255	7K2255	7K1389	7K1070	7K1385
				-	7K2280	7K2294	7K2294	-	-	-
Lower	5	-	-	7K2845	7K2845	-	7K2252	7K2259		
		-	-	7K2846	7K2846	-	7K3058	7K3057		
23	Cable guards	1/2R	7K1885	7K1883	7K1881	7K3457	-	-	-	
		1/2	7K1888	7K1886	7K1883	7K1886	7K1881	-	-	
		3/4	7K1890	7K1889	7K1886	7K3458	7K1883	7K1883	-	
		1	7K1917	7K1916	7K1888	7K3459	7K1886	7K1886	7K1886	
		1 1/2	7K1922	7K1919	7K1916	7K1916	7K1888	7K1889	7K1888	
		2	7K1927	7K1924	7K1917	7K1917	7K1919	7K1916	7K1890	
		3	-	7K1929	7K1923	7K1923	7K1918	7K1920	7K1917	
		5	-	-	7K1931	7K1931	-	7K1930	7K1929	

① Model has one intermediate bearing spider, order bearing and spider separately.

② Model has one intermediate bearing spider, a split case design and upper and lower shaft assemblies.

④ Intermediate Shaft Sleeve 7K1490 is now a pressed on part of the upper shaft assembly on split case pumps.

⑤ Effective January, 2004 the sleeve is part of the shaft and coupling assembly.

⑥ Pumps ordered prior to July 2017 use 10GS A, pumps ordered after use 10GS B

Xylem |'zīləm|

- 1) The tissue in plants that brings water upward from the roots;
- 2) a leading global water technology company.

We're a global team unified in a common purpose: creating advanced technology solutions to the world's water challenges. Developing new technologies that will improve the way water is used, conserved, and re-used in the future is central to our work. Our products and services move, treat, analyze, monitor and return water to the environment, in public utility, industrial, residential and commercial building services settings. Xylem also provides a leading portfolio of smart metering, network technologies and advanced analytics solutions for water, electric and gas utilities. In more than 150 countries, we have strong, long-standing relationships with customers who know us for our powerful combination of leading product brands and applications expertise with a strong focus on developing comprehensive, sustainable solutions.

For more information on how Xylem can help you, go to www.xylem.com



Xylem Inc.
2881 East Bayard Street Ext., Suite A
Seneca Falls, NY 13148
Phone: (866) 325-4210
Fax: (888) 322-5877
www.xylem.com/goulds

Goulds is a registered trademark of Goulds Pumps, Inc. and is used under license.
© 2022 Xylem Inc. R5-25GS05 R8 February 2022