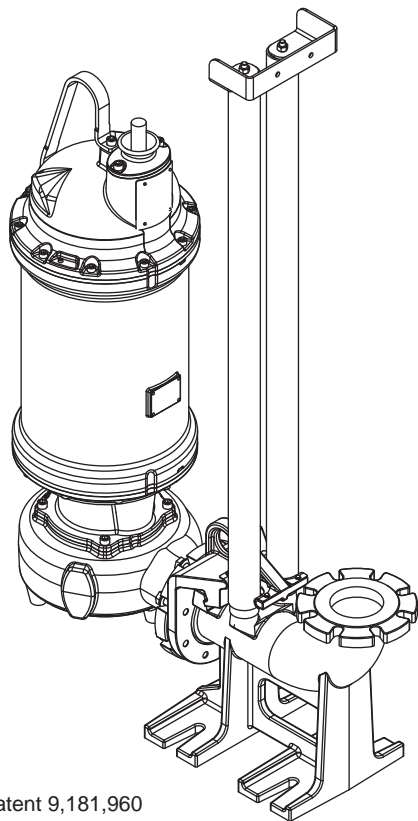


Break Away Fittings



US Patent 9,181,960

Model: BAF 3x3
P/N: 134202

Model: BAF 4x4
P/N: 128281

Model: BAF 4x6
P/N: 128280

Model: BAF 6x6
P/N: 139202

DESCRIPTION:

THE BREAK AWAY FITTING IS DESIGNED TO ALLOW THE SUBMERSIBLE PUMP TO BE INSTALLED OR REMOVED WITHOUT REQUIRING PERSONNEL TO ENTER THE WET WELL.

Specifications:

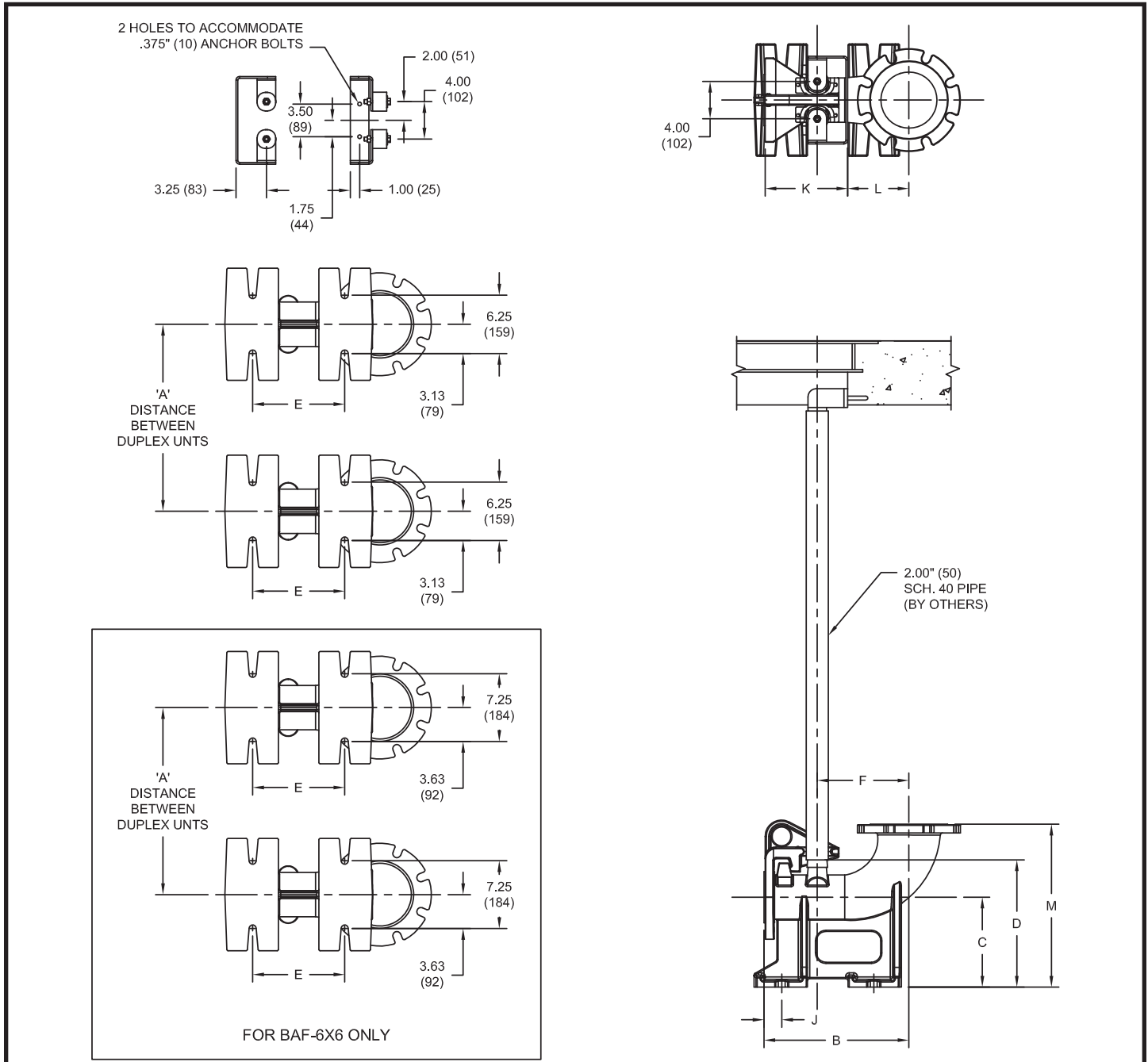
BAF 3x3, 4x4, 4x6, 6x6: Non-Sparking

The stationary portion of the BAF consists of a specially designed cast iron base elbow which is bolted to the floor of the wet well. The pump bolts to the cast iron moveable portion which is free to ride up and down the guide rails. A gasket is installed into the moveable. The elastomer to cast iron contact assures a complete and positive seal which allows pumps to operate without hydraulic leakage, over a wide range of discharge pressures.

The guide rails are attached to the base elbow at one end and to a stainless steel Guide Cap which is attached to the underside of the wet well cover at the other end. The Guide Cap assembly has elastomer plugs which aid in locating the guide rails and in reducing noise and vibration of the guide rails. The guide rails serve only to guide, they carry none of the pump weight. 2" (48mm) schedule 40 pipe should be used for guide rails. An intermediate guide pipe bracket should be used for depths of 13 feet (4M) or more.

For OPTIONAL information see Intermediate Rail Supports Section.

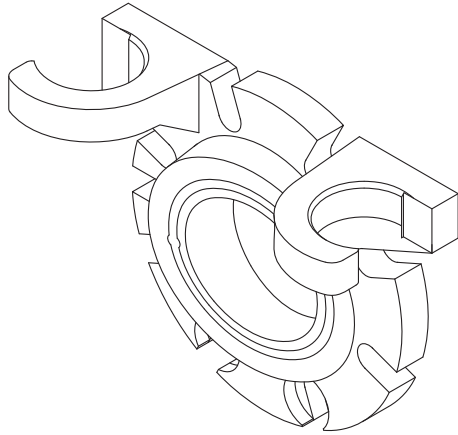
Demersible Non-Clog Pumps



DIMENSIONS IN INCHES (MM)

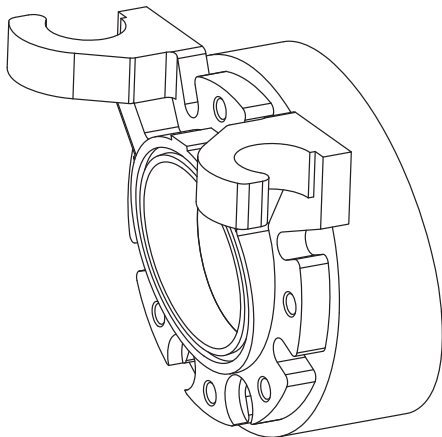
MODEL NO.	PART NO.	A	B	C	D	E	F	J	K	L	M
BAF - 3x3	134202	22.20 (564)	12.10 (308)	8.00 (203)	10.63 (270)	8.50 (216)	6.44 (164)	1.48 (38)	8.76 (223)	3.19 (81)	13.38 (340)
BAF - 4x4	128281	26.13 (664)	15.50 (394)	9.62 (244)	13.62 (346)	9.84 (250)	9.80 (249)	1.90 (49)	8.82 (224)	6.55 (167)	17.43 (443)
BAF - 4x6	128280	32.13 (816)									
BAF - 6x6	139202	32.13 (816)	15.87 (403)	10.00 (254)	14.13 (359)	11.00 (280)	10.08 (256)	2.29 (58)	9.04 (230)	6.82 (173)	19.92 (506)

Break Away Fittings



Model: BAF-4 (Standard)
P/N: 087313

Model: BAF-E4 (Non-Sparking)
P/N: 087314



Model: BAF-4 (Wedge)
P/N: 141190A

DESCRIPTION:

THE BREAK AWAY FITTING IS DESIGNED TO ALLOW THE SUBMERSIBLE PUMP TO BE INSTALLED OR REMOVED WITHOUT REQUIRING PERSONNEL TO ENTER THE WET WELL.

Specifications:

BAF-4; Standard Moveable

The pump bolts to the ductile iron moveable portion which is free to ride up and down the guide rails. An O-Ring is pressed into a dove-tailed groove on the tapered face of the moveable. The tapered faces of the moveable and base elbow allow for a positive mating of the O-Ring to base. This elastomer to cast iron contact assures a complete and positive seal which allows pumps to operate without hydraulic leakage, over wide range of discharge pressures.

BAF-E4; Non-Sparking Moveable

The pump bolts to the bronze moveable portion which is free to ride up and down the guide rails. An O-Ring is pressed into a dove-tailed groove on the tapered face of the moveable. The tapered faces of the moveable and base elbow allow for a positive mating of the O-Ring to base. This elastomer to cast iron contact assures a complete and positive seal which allows pumps to operate without hydraulic leakage, over wide range of discharge pressures. These mating parts also allow a Non-Sparking joint which is required in Hazardous Locations.

For OPTIONAL information see Intermediate Rail Supports Section.

BAF-4; Standard Moveable with Wedge

The pump bolts to a cast iron adapter that is attached to a BAF-4 Standard Moveable slide fitting (included). Use of the wedge places the pump at a slight angle allowing the suction clearance under the pump to be increased by roughly 2" to 2-1/2" for applications where a 4SH/4SC pump is replacing an old 4SE series unit to be installed in an obsolete BAF-4 (P/N: 087315) / BAF-4 (P/N: 087316) guide rail system.

Specifications:

BAF-6; Standard Moveable

The pump bolts to the ductile iron moveable portion which is free to ride up and down the guide rails. An O-Ring is pressed into a dove-tailed groove on the tapered face of the moveable. The tapered faces of the moveable and base elbow allow for a positive mating of the O-Ring to base. This elastomer to cast iron contact assures a complete and positive seal which allows pumps to operate without hydraulic leakage, over wide range of discharge pressures.

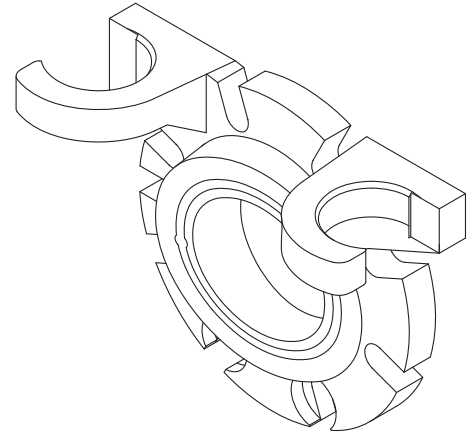
BAF-E6; Non-Sparking Moveable

The pump bolts to the bronze moveable portion which is free to ride up and down the guide rails. An O-Ring is pressed into a dove-tailed groove on the tapered face of the moveable. The tapered faces of the moveable and base elbow allow for a positive mating of the O-Ring to base. This elastomer to cast iron contact assures a complete and positive seal which allows pumps to operate without hydraulic leakage, over wide range of discharge pressures. These mating parts also allow a Non-Sparking joint which is required in Hazardous Locations.

For OPTIONAL information see Intermediate Rail Supports Section.

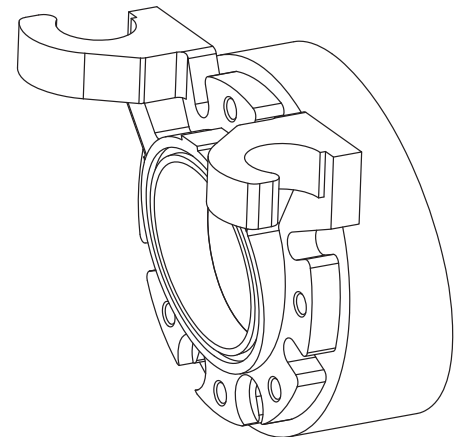
BAF-6; Standard Moveable with Wedge

The pump bolts to a cast iron adapter that is attached to a BAF-6 Standard Moveable slide fitting (included). Use of the wedge places the pump at a slight angle allowing the suction clearance under the pump to be increased by roughly 3" to 3-1/2" for applications where a 6SH/6SC pump is replacing an old 6SE series unit to be installed in an obsolete BAF-6 (P/N: 091550) / BAF-6 (P/N: 091551) guide rail system.



Model: BAF-6 (Standard)
P/N: 090083

Model: BAF-E6 (Non-Sparking)
P/N: 090084



Model: BAF-6 (Wedge)
P/N: 141190

DESCRIPTION:

THE BREAK AWAY FITTING IS DESIGNED TO ALLOW THE SUBMERSIBLE PUMP TO BE INSTALLED OR REMOVED WITHOUT REQUIRING PERSONNEL TO ENTER THE WET WELL.