



TYPE "B" SINGLE STAGE CENTRIFUGAL PUMP Electric Motor Drive

Section	CC
Page	150.1
Date	January 1, 2004
Supersedes 6/1/95	

CAST IRON IMPELLER

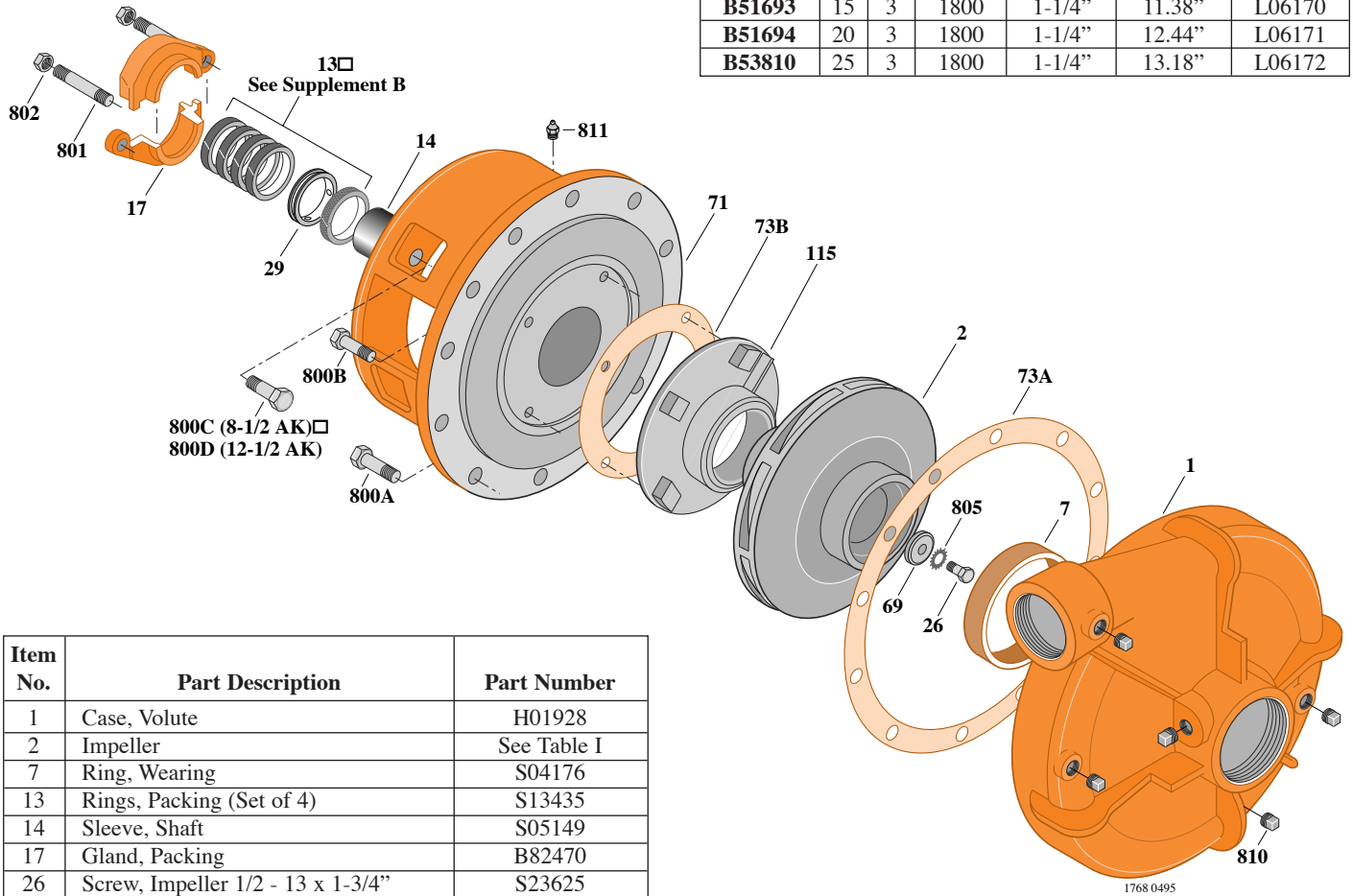
B2-1/2JPBM

Threaded Case (NPT)

Packing Construction

TABLE I

B/M No.	HP	PH	RPM	"U" Dim.	Imp. Dia.	Imp. No.
B51693	15	3	1800	1-1/4"	11.38"	L06170
B51694	20	3	1800	1-1/4"	12.44"	L06171
B53810	25	3	1800	1-1/4"	13.18"	L06172



Item No.	Part Description	Part Number
1	Case, Volute	H01928
2	Impeller	See Table I
7	Ring, Wearing	S04176
13	Rings, Packing (Set of 4)	S13435
14	Sleeve, Shaft	S05149
17	Gland, Packing	B82470
26	Screw, Impeller 1/2 - 13 x 1-3/4"	S23625
29	Ring, Lantern	S19200
32	Key, 1/4 x 2-1/4" (See Note)	S23677
69	Washer, Impeller	S06319
71	Bracket	See Table II
73A	Gasket, Volute	S06271
73B	Gasket, Balance Ring	S09943
115	Ring, Balance	M05115
800A	Capscrew, 5/8 - 11 x 1-1/2" (12 Req.)	S26999
800B	Capscrew, 1/2 - 13 x 1-1/2" (4 Req.)	S26916
800C	Capscrew, 3/8 - 16 x 1-1/2" (4 Req.)	S26830
801	Stud, 3/8 - 16 x 2-1/2" (2 Req.)	S04438
802	Nut, Hex 3/8 - 16 (2 Req.)	S23343
805	Washer, Lock	S23038
810	Plug, Pipe 1/2 NPT (6 Req.)	S23717
811	Fitting, Grease	S23700
812	Elbow, Street	S25421

TABLE II

HP	PH	Bracket No.	"AK" Fit	"U" Dim.	Motor Frame
15	3	H02384	8-1/2"	1-1/4"	254JP
20	3	H02384	8-1/2"	1-1/4"	256JP
25	3	H01601	12-1/2"	1-1/4"	284JP

NOTE: For an explanation of the tabulated material found on this page and for impeller key location, refer to *Supplement A* located at the beginning of this section.



TYPE "B" SINGLE STAGE CENTRIFUGAL PUMP Electric Motor Drive

Section	CC
Page	150.2
Date	January 1, 2004
Supersedes 6/1/95	

CAST IRON IMPELLER

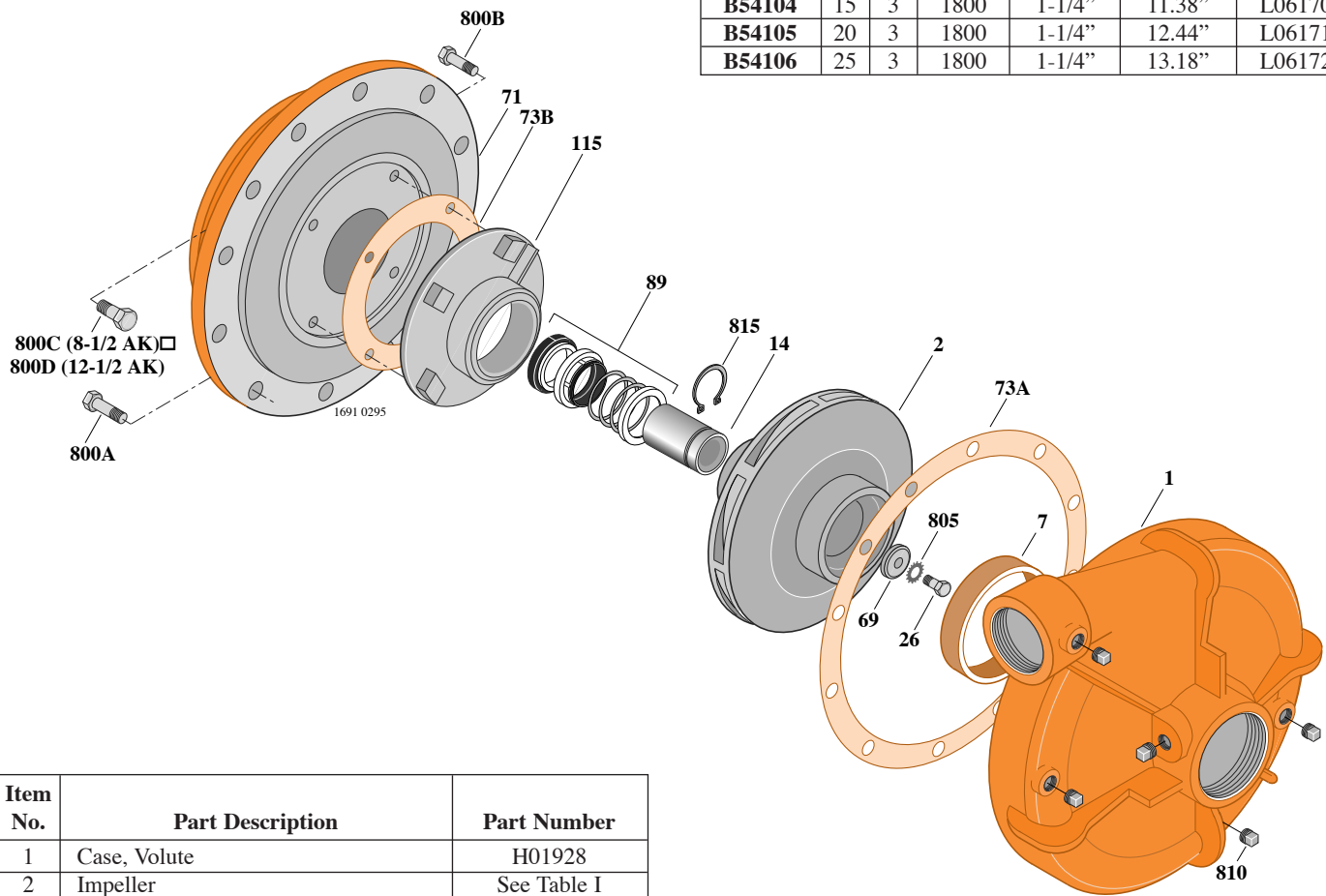
B2-1/2JPBMS

Threaded Case (NPT)

Mechanical Shaft Seal Construction

TABLE I

B/M No.	HP	PH	RPM	"U" Dim.	Imp. Dia.	Imp. No.
B54104	15	3	1800	1-1/4"	11.38"	L06170
B54105	20	3	1800	1-1/4"	12.44"	L06171
B54106	25	3	1800	1-1/4"	13.18"	L06172



Item No.	Part Description	Part Number
1	Case, Volute	H01928
2	Impeller	See Table I
7	Ring, Wearing	S04176
14	Sleeve, Shaft	S18869
26	Screw, Impeller 1/2 - 13 x 1-1/2"	S23623
32	Key, 1/4 x 2-1/4" (See Note)	S23677
69	Washer, Impeller	S06319
71	Bracket	See Table II
73A	Gasket, Volute Case	S06271
73B	Gasket, Balance Ring	S09943
89	Seal, Mechanical Shaft	S32015
115	Ring, Balance	M06646
800A	Capscrew, 5/8 - 11 x 1-1/2" (12 Req.)	S26999
800B	Capscrew, 1/2 - 13 x 1-1/2" (4 Req.)	S26916
800C	Capscrew, 3/8 - 16 x 1" (4 Req.)	S26826
805	Washer, Lock	S23038
810	Plug, Pipe 1/2 NPT (6 Req.)	S23717
815	Ring, Retaining	S16767

TABLE II

HP	PH	Bracket No.	"AK" Fit	"U" Dim.	Motor Frame
15	3	H03300	8-1/2"	1-1/4"	254JM
20	3	H03300	8-1/2"	1-1/4"	256JM
25	3	H03301	12-1/2"	1-1/4"	284JM

NOTE: For an explanation of the tabulated material found on this page and for impeller key location, refer to *Supplement A* located at the beginning of this section.



TYPE "B" SINGLE STAGE CENTRIFUGAL PUMP Electric Motor Drive

Section	CC
Page	150.3
Date	January 1, 2004
Supersedes 9/1/97	

SILICON BRONZE IMPELLER

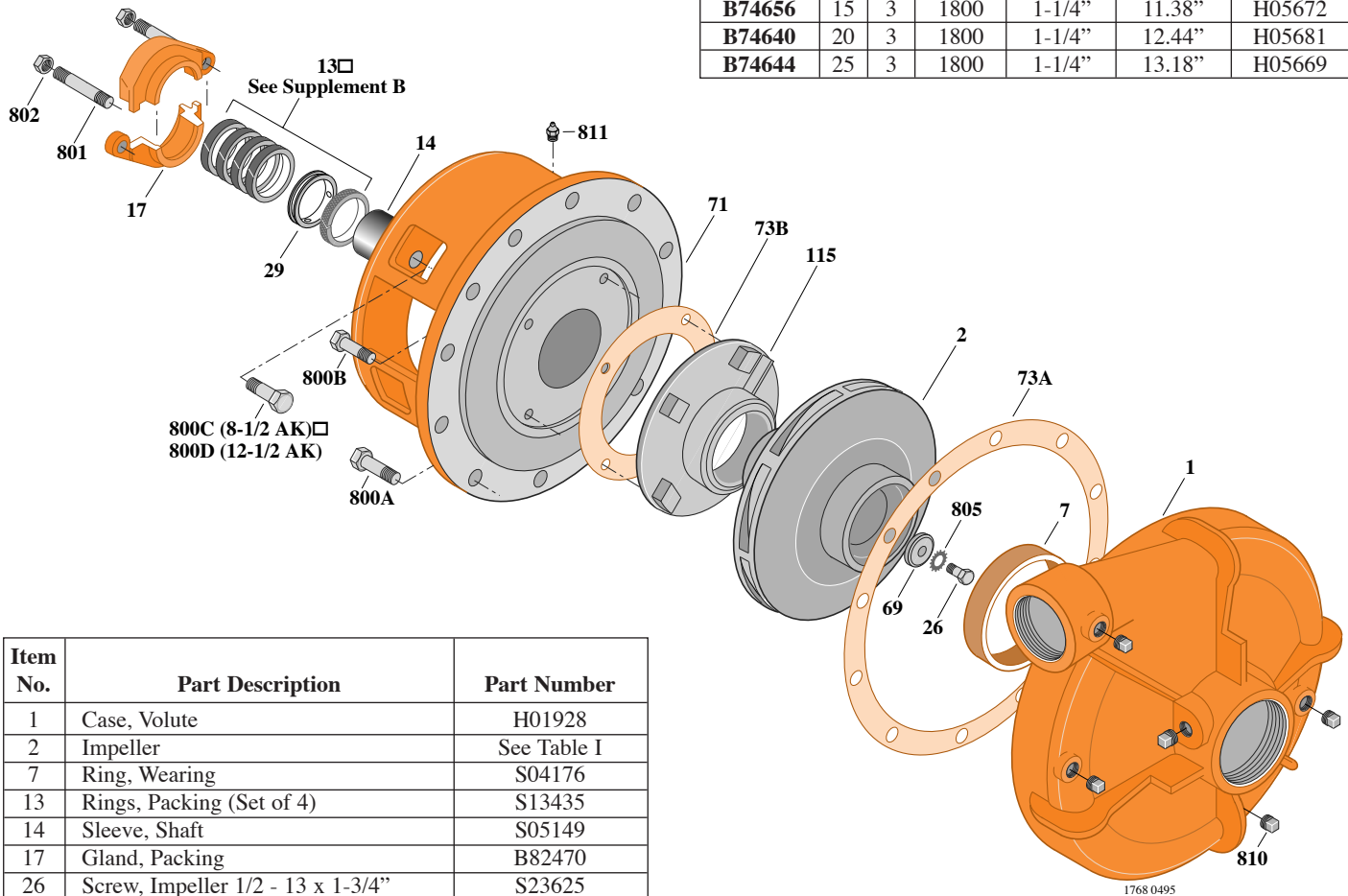
B2-1/2JPBM

Threaded Case (NPT)

Packing Construction

TABLE I

B/M No.	HP	PH	RPM	"U" Dim.	Imp. Dia.	Imp. No.
B74656	15	3	1800	1-1/4"	11.38"	H05672
B74640	20	3	1800	1-1/4"	12.44"	H05681
B74644	25	3	1800	1-1/4"	13.18"	H05669



Item No.	Part Description	Part Number
1	Case, Volute	H01928
2	Impeller	See Table I
7	Ring, Wearing	S04176
13	Rings, Packing (Set of 4)	S13435
14	Sleeve, Shaft	S05149
17	Gland, Packing	B82470
26	Screw, Impeller 1/2 - 13 x 1-3/4"	S23625
29	Ring, Lantern	S19200
32	Key, 1/4 x 2-1/4" (See Note)	S23677
69	Washer, Impeller	S06319
71	Bracket	See Table II
73A	Gasket, Volute	S06271
73B	Gasket, Balance Ring	S09943
115	Ring, Balance	M05115
800A	Capscrew, 5/8 - 11 x 1-1/2" (12 Req.)	S26999
800B	Capscrew, 3/8 - 16 x 1-1/2" (4 Req.)	S26830
800C	Capscrew, 1/2 - 13 x 1-1/2" (4 Req.)	S26916
800D	Capscrew, 5/8 - 11 x 1-1/2" (4 Req.)	S26999
801	Stud, 3/8 - 16 x 2-1/2" (2 Req.)	S04438
802	Nut, Hex 3/8 - 16 (2 Req.)	S23343
805	Washer, Lock	S23038
810	Plug, Pipe 1/2 NPT (6 Req.)	S23717
811	Fitting, Grease	S23700

TABLE II

HP	PH	Bracket No.	"AK" Fit	"U" Dim.	Motor Frame
15	3	H02384	8-1/2"	1-1/4"	254JP
20	3	H02384	8-1/2"	1-1/4"	256JP
25	3	H01601	12-1/2"	1-1/4"	284JP

NOTE: For an explanation of the tabulated material found on this page and for impeller key location, refer to *Supplement A* located at the beginning of this section.



TYPE "B" SINGLE STAGE CENTRIFUGAL PUMP Electric Motor Drive

Section	CC
Page	150.4
Date	January 1, 2004
Supersedes 9/1/97	

SILICON BRONZE IMPELLER

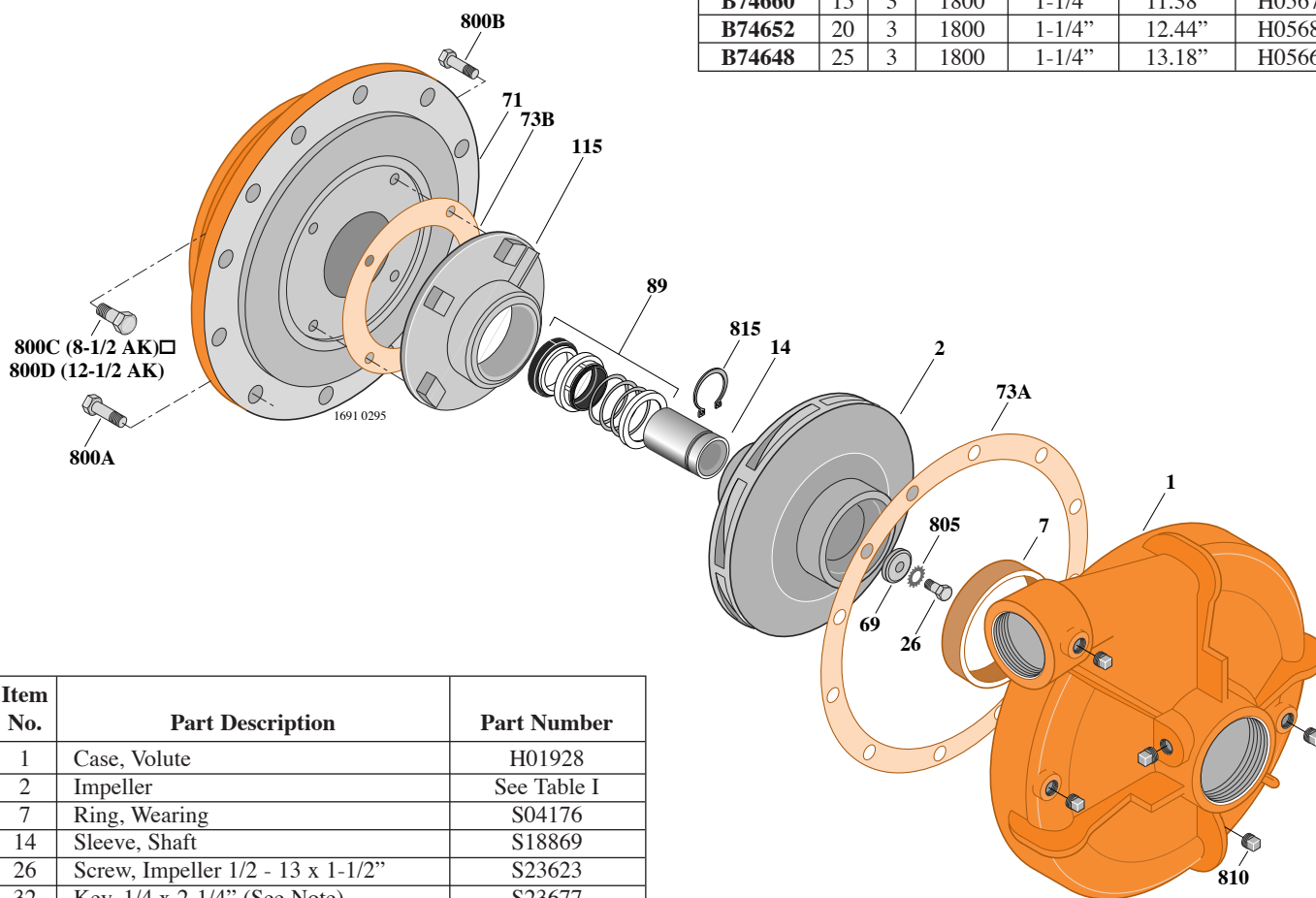
B2-1/2JPBMS

Threaded Case (NPT)

Mechanical Shaft Seal Construction

TABLE I

B/M No.	HP	PH	RPM	"U" Dim.	Imp. Dia.	Imp. No.
B74660	15	3	1800	1-1/4"	11.38"	H05672
B74652	20	3	1800	1-1/4"	12.44"	H05681
B74648	25	3	1800	1-1/4"	13.18"	H05669



Item No.	Part Description	Part Number
1	Case, Volute	H01928
2	Impeller	See Table I
7	Ring, Wearing	S04176
14	Sleeve, Shaft	S18869
26	Screw, Impeller 1/2 - 13 x 1-1/2"	S23623
32	Key, 1/4 x 2-1/4" (See Note)	S23677
69	Washer, Impeller	S06319
71	Bracket	See Table II
73A	Gasket, Volute Case	S06271
73B	Gasket, Balance Ring	S09943
89	Seal, Mechanical Shaft	S32015
115	Ring, Balance	M06646
800A	Capscrew, 5/8 - 11 x 1-1/2" (12 Req.)	S26999
800B	Capscrew, 3/8 - 16 x 1" (4 Req.)	S26826
800C	Capscrew, 1/2 - 13 x 1-1/2" (4 Req.)	S26916
800D	Capscrew, 5/8 - 11 x 1-1/2" (4 Req.)	S26999
805	Washer, Lock	S23038
810	Plug, Pipe 1/2" NPT (6 Req.)	S23717
815	Ring, Retaining	S16767
•	Plug, Pipe 1/8" NPT (In Bracket)	S23714

• Not illustrated.

TABLE II

HP	PH	Bracket No.	"AK" Fit	"U" Dim.	Motor Frame
15	3	H03300	8-1/2"	1-1/4"	254JM
20	3	H03300	8-1/2"	1-1/4"	256JM
25	3	H03301	12-1/2"	1-1/4"	284JM

NOTE: For an explanation of the tabulated material found on this page and for impeller key location, refer to *Supplement A* located at the beginning of this section.

NOTE: For seal flush line details, see *Supplement D*.