

BALDOR • RELIANCE

Customer information packet

CXM050542

.5//.33HP, 1735//1425RPM, 3PH, 60//50HZ, 56C

Class - CLI GP D; CLII GP F,G

Division - Division I

Specifications

Enclosure	XPFC
Frame	56C
Frame Material	Steel
Frequency	50.00 Hz 60.00 Hz
Output @ Frequency	.330 HP @ 50 HZ .500 HP @ 60 HZ
Phase	3
Synchronous Speed @ Frequency	1800 RPM @ 50 HZ
Voltage @ Frequency	230.0 V @ 60 HZ 190.0 V @ 50 HZ 380.0 V @ 50 HZ 460.0 V @ 60 HZ
XP Class and Group	CLI GP D; CLII GP F,G
XP Division	Division I
Agency Approvals	CSA EEV UR CSA
Ambient Temperature	40 °C
Auxillary Box	No Auxillary Box
Auxillary Box Lead Termination	None
Base Indicator	Rigid
Bearing Grease Type	Polyrex EM (-20F +300F)
Blower	None
Constant Torque Speed Range	6
Current @ Voltage	1.600 A @ 230.0 V 1.400 A @ 190.0 V .800 A @ 460.0 V .700 A @ 380.0 V
Design Code	B
Drip Cover	No Drip Cover
Duty Rating	CONT

Part detail

Revision	-
Type	AC
Mech. spec.	
Base	
Status	PRD/A
Elec. spec.	35WGP862
Layout	35LYE2098
Eff. date	02-26-2021
CD Diagram	CD0005
Poles	04
Leads	9#18
Proprietary	False
Created date	02-08-2021

Efficiency @ 100% Load	82.5 %
Electrically Isolated Bearing	Not Electrically Isolated
Feedback Device	NO FEEDBACK
Heater Indicator	No Heater
High Voltage Full Load Amps	0.7 a
Insulation Class	F
Inverter Code	Inverter Duty
IP Rating	NONE
KVA Code	K
Lifting Lugs	No Lifting Lugs
Locked Bearing Indicator	Locked Bearing
Max Speed	2700 rpm
Motor Lead Termination	Flying Leads
Motor Standards	NEMA
Motor Type	3514M
Mounting Arrangement	F1
Number of Poles	4
Overall Length	14.30 IN
Power Factor	75
Product Family	General Purpose
Pulley Face Code	C-Face
Rodent Screen	None
Service Factor	1.00
Shaft Diameter	0.625 IN
Shaft Ground Indicator	No Shaft Grounding
Shaft Rotation	Reversible
Speed	1735 rpm
Speed Code	Single Speed
Starting Method	Direct on line
Thermal Device - Bearing	None
Thermal Device - Winding	Normally Closed Thermostat
Vibration Sensor Indicator	No Vibration Sensor
Winding Thermal 1	None
Winding Thermal 2	None

XP Temp Code

T3C

Nameplate

NP0887XPSLEV

NO.		CC					
S/N		TEMP CODE	T3C				
SPEC.	35-0000-1011	INV.TYPE	PWM				
CAT.NO.	CXM050542	C HP FR	60	C HP TO	90		
HP	.5//.33	CT HZ FROM	6	CT HZ TO	60		
VOLTS	230/460//190/380	VT HZ FROM	6	VT HZ TO	60		
AMPS	1.6/.8//1.4/.7	MAG CUR	1.00/.5				
RPM	1735//1425	MX RPM	2700				
HZ	60//50	PH	3	CL	F	NOM.EFF.	82.5
SER.F.	1.00	DES	B	SL HZ	2.2	WK2	0.08
FRAME	56C	RATING	40C AMB-CONT				
	NEMA MG-1 PART 5, IP54						
	1.15 SF ON SINE WAVE						

Parts list

Part number	Description	Quantity
SA391179	SA 35-0000-1011	1.000 ea
RA381648	RA 35-0000-1011	1.000 ea
LB1119N	WARNING LABEL	1.000 ea
LC0145B01	CONNECTION LABEL	1.000 ea
NP0887XPSLEV	SS XP INV UL CSA-EEV CC CL-I GP-D	1.000 ea
85XU0407S04	4X1/4 U DRIVE PIN STAINLESS	4.000 ea
85XU0407S04	4X1/4 U DRIVE PIN STAINLESS	2.000 ea
MN416A01	TAG-INSTAL-MAINT no wire (1200/bx) 1/21	1.000 ea
NP0018F	ALUM UL XP CONDUIT BOX NAMEPLATE	1.000 ea
35FH4005A01SP	IEC FH NO GREASER W/PRIMED	1.000 ea
51XW1032A06	10-32 X .38, TAPTITE II, HEX WSHR SLTD S	3.000 ea
35FN3002A05SP	EXFN, PLASTIC, 6.376 OD, .638 ID	1.000 ea
51XB1214A16	12-14X1.00 HXWSSLD SERTYB	1.000 ea
MJ1000A02	GREASE, MOBIL POLYREX EM - 124047	0.050 lb
HA3104A06	THRUBOLT 5/16-18 X 8.50 OHIO ROD	4.000 ea
XY3118A12	5/16-18 HEX NUT DIRECTIONAL SERRATION	4.000 ea
35EP3700A01SP	FR ENDPLATE, XPFC	1.000 ea
HW5100A03	WAVY WASHER (W1543-017)	1.000 ea
35EP3702A01SP	PU EP-205 BRG-35X-56C-143-5TC	1.000 ea
HA3013A01	1/2-20X5/8 SPL.HX BOLT	2.000 ea
84XN1032J20	SCREW, SOC 10-32 X 1 1/4"BMH4602	2.000 ea
HW3021C06	3/32 DI X .625 PIN (F/S)	2.000 ea
35CB3001A02SP	EXPL PROOF CONDUIT BOX, 3/4"PIPE TAP LEA	1.000 ea
11XW1032G06	10-32 X .38, TAPTITE II, HEX WSHR SLTD U	1.000 ea
HW3001B01	BRASS CUP WASHER, FOR #10 SCREW	1.000 ea
35CB3500A01SP	CONDUIT BOX LID, MACH	1.000 ea
51XN2520A16	SCREW, HEX WS SLT, ZN, 1/4-20 X 1.00	4.000 ea
MG1500Y02	WILKOPON PRIMER YELLOW	0.022 ga
MG1025G29	WILKOFASST, 789.229, DARK CHARCOAL GRAY	0.022 ga
36PA1000	PKG GRP, PRINT PK1016A06	1.000 ea
HW2501D13	KEY, 3/16 SQ X 1.375	1.000 ea

HA7000A04

KEY RETAINER 0.625 DIA SHAFTS

1.000 ea

AC Induction Motor Performance Data

Record # 86681

Typical performance - not guaranteed values

Winding: 35WGP862-R099		Type: 3514M		Enclosure: TEFC	
Nameplate Data			460 V, 60 Hz: High Voltage Connection		
Rated Output (HP)	.5//.33		Full Load Torque	1.53 LB-FT	
Volts	230/460//190/380		Start Configuration	direct on line	
Full Load Amps	1.6/.8//1.8/.9		Breakdown Torque	6.3 LB-FT	
R.P.M.	1735//1425		Pull-up Torque	3.55 LB-FT	
Hz	60//50	Phase	3	Locked-rotor Torque	4.82 LB-FT
NEMA Design Code	B KVA Code		K	Starting Current	5.57 A
Service Factor (S.F.)			1	No-load Current	0.483 A
NEMA Nom. Eff.	82.5	Power Factor	75	Line-line Res. @ 25°C	35.3 Ω
Rating - Duty	50C AMB-CONT			Temp. Rise @ Rated Load	20°C
				Locked-rotor Power Factor	67.6
				Rotor inertia	0.0827 lb-ft ²

Load Characteristics 460 V, 60 Hz, 0.5 HP

% of Rated Load	25	50	75	100	125	150
Power Factor	34	52	64	75	79	85
Efficiency	69.6	80.2	82.3	82.7	81.9	79.6
Speed	1784	1770	1755	1737	1718	1697
Line amperes	0.512	0.575	0.662	0.768	0.899	1.04

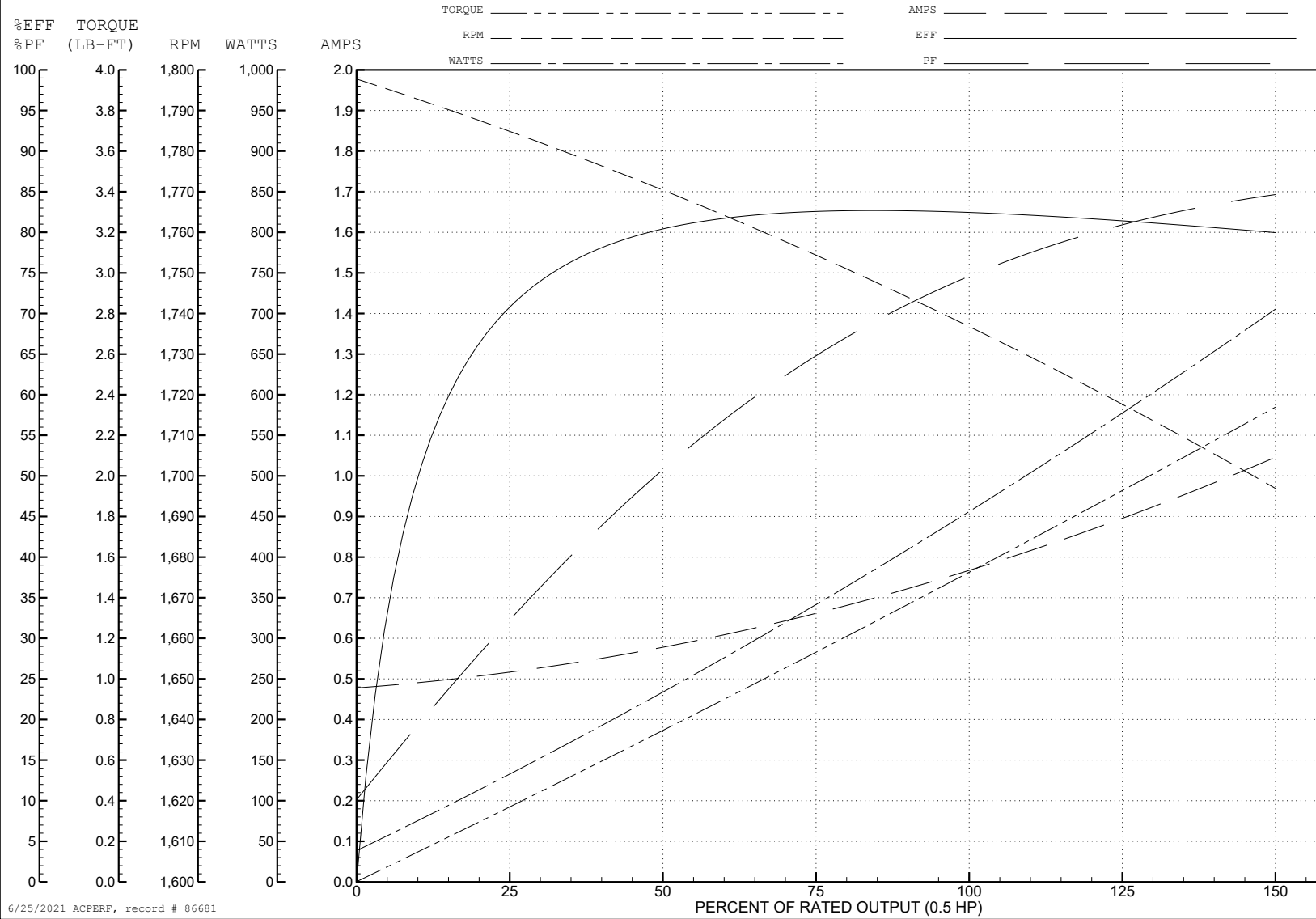
ABB Motors and Mechanical Inc.

WINDING # 35WGP862

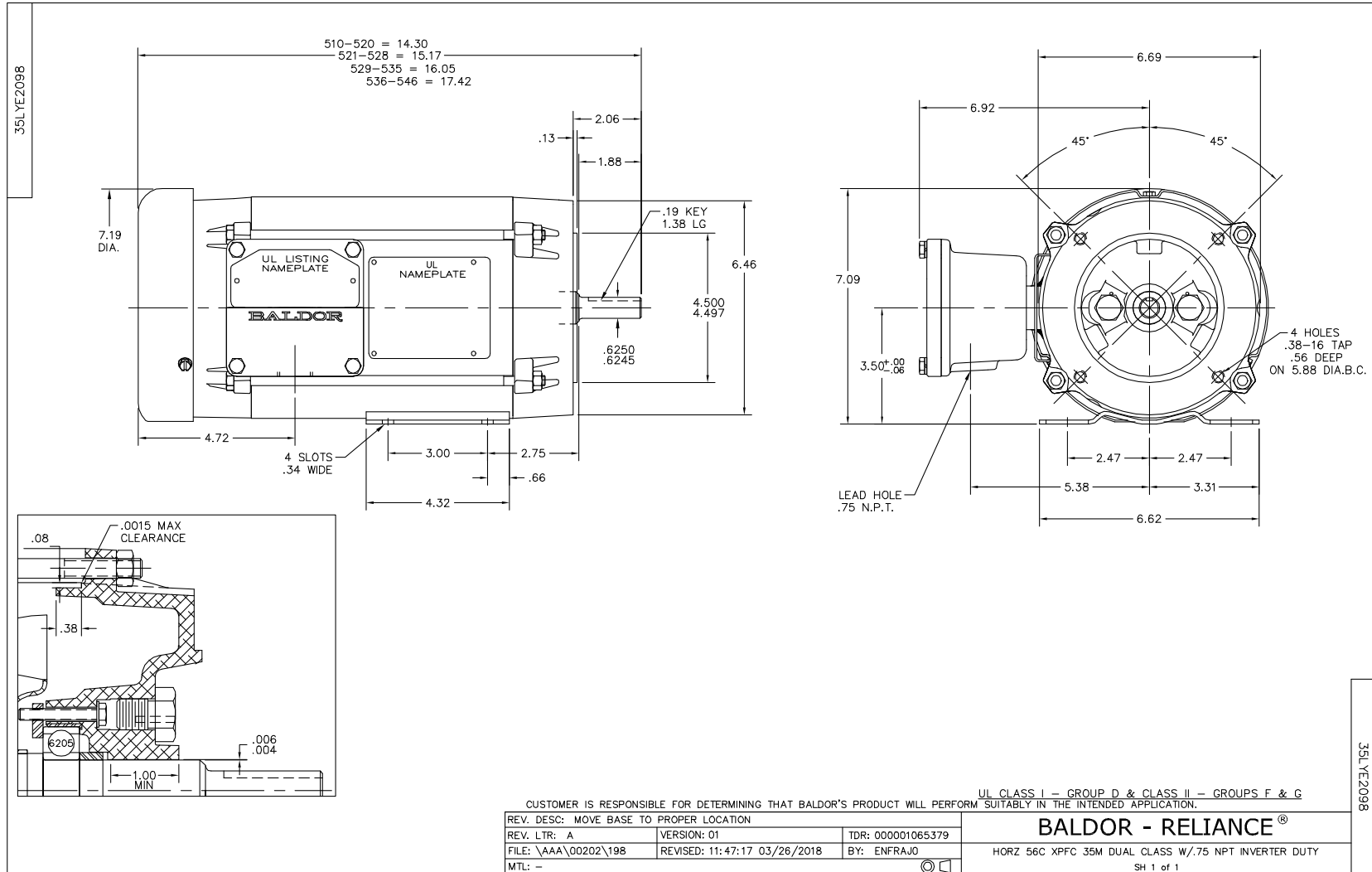
0.5 HP 3 PH 60 HZ 1737 RPM 460 V 3514M

Typical performance - not guaranteed values.

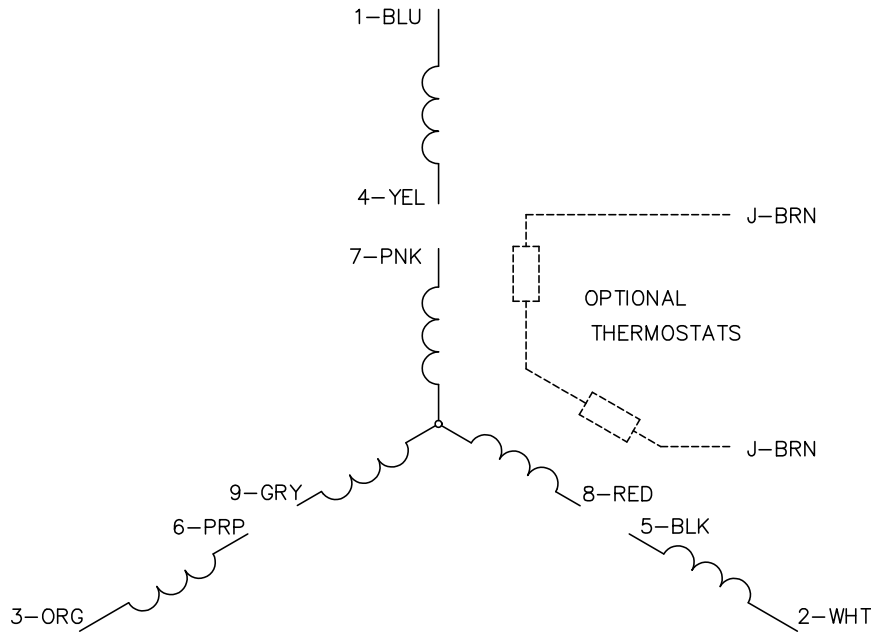
TORQUES (LB-FT): PO=6.3 PU=3.55 LR=4.82 LRA=5.57



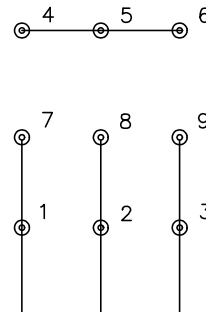
6/25/2021 ACPERF, record # 86681



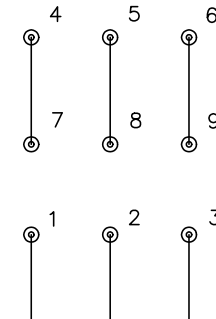
CD0005



LOW VOLTAGE
(2Y)



HIGH VOLTAGE
(1Y)



NOTES:

1. INTERCHANGE ANY TWO LINE LEADS TO REVERSE ROTATION.
2. OPTIONAL THERMOSTATS ARE PROVIDED WHEN SPECIFIED.
3. ACTUAL NUMBER OF INTERNAL PARALLEL CIRCUITS MAY BE A MULTIPLE OF THOSE SHOWN ABOVE.
4. LEAD COLORS ARE OPTIONAL. LEADS MUST ALWAYS BE NUMBERED AS SHOWN.

REV. DESC: REVISE TO SHOW OPTIONAL COLORS			
REV. LTR: E	BY: JLP	REVISED: 01/19/99 10:15	TDR: 0171435
S00000		FILE: AAA00005140	MDL: -
		MTL: -	

BALDOR ELECTRIC Co.

3PH, DV, 9 LEADS

CD0005

Marketing maintained PDF of MN416:

<http://www.baldor.com/support/Literature/Load.ashx/MN416?ManNumber=MN416>