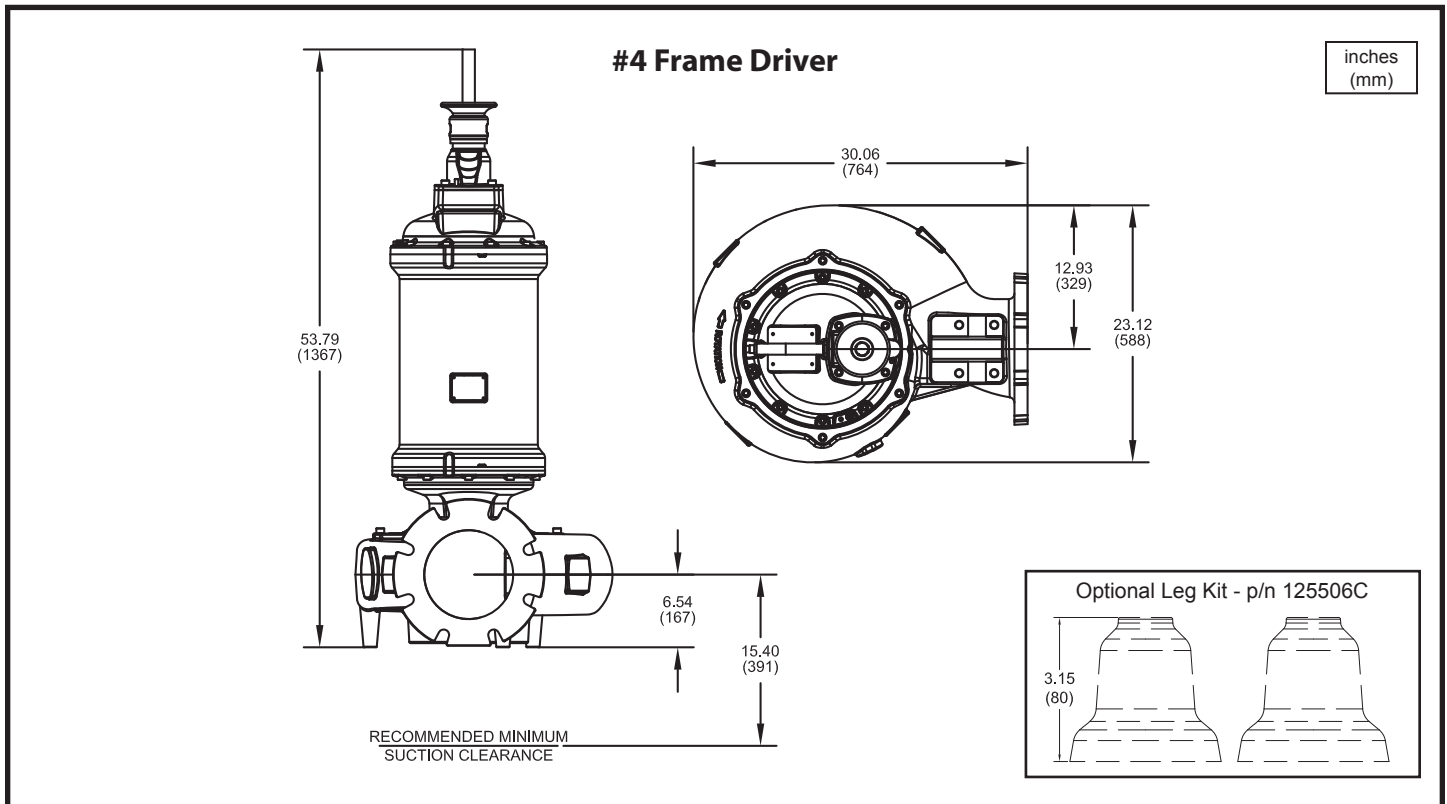


### Demersible Non-Clog Pumps



Model No.	Imp. Dia. inches (mm)	HP	Volt	PH	Hz	RPM	NEMA Start Code	Full Load Amps	S.F.	S.F. Amps	Locked Rotor Amps	Cord P/N ▲	Cord Size
7365*-850-66-30N	**	60	460	3	60	1750	E	79.0	1.2	95.5	339.0	138319	2/4 - 18/4
7365*-850-81-30N	**	60	575	3	60	1750	E	63.2	1.2	76.4	271.2	138318	6/4 - 18/4
7365*-823-32-30N	10.43 (265)	25	208	3	60	1150	G	75.2	1.2	90.8	354.0	138319	2/4 - 18/4
			230					70.8		82.6		138319	2/4 - 18/4
7365*-823-92-30N	10.43 (265)	25	460	3	60	1150	G	35.4	1.2	41.3	177.0	138317	8/4 - 18/4
7365*-823-1B-30N	10.43 (265)	25	575	3	60	1150	G	28.3	1.2	33.0	141.6	138317	8/4 - 18/4
7365*-823-33-30N	11.02 (280)	30	208	3	60	1150	E	90.8	1.2	114.9	354.0	138319	2/4 - 18/4
			230					82.6		99.7		138319	2/4 - 18/4
7365*-823-93-30N	11.02 (280)	30	460	3	60	1150	E	41.3	1.2	49.9	177.0	138317	8/4 - 18/4
7365*-823-1C-30N	11.02 (280)	30	575	3	60	1150	E	33.0	1.2	39.9	141.6	138317	8/4 - 18/4
7365*-823-49-30N	12.21 (310)	40	230	3	60	1150	E	110.4	1.2	131.8	476.0	138319	2/4 - 18/4
7365*-823-64-30N	12.21 (310)	40	460	3	60	1150	E	55.2	1.2	65.9	238.0	138318	6/4 - 18/4
7365*-823-79-30N	12.21 (310)	40	575	3	60	1150	E	44.2	1.2	52.7	190.4	138317	8/4 - 18/4

\* FOR NON-EXPLOSION PROOF (STANDARD) MODELS, USE FIGURE NUMBER 7365N.

▲ CORD SOLD SEPARATELY. CORD SUFFIX: XF - 50 FEET, XJ - 75 FEET, OR XL - 100 FEET.

**IMPORTANT !**

- 1.) MOISTURE AND TEMPERATURE SENSORS **MUST** BE CONNECTED TO VALIDATE THE CSA LISTING.
  - 2.) A SPECIAL MOISTURE SENSOR RELAY IS REQUIRED IN THE CONTROL PANEL FOR PROPER OPERATION OF THE MOISTURE SENSORS. CONTACT CP&S FOR INFORMATION CONCERNING MOISTURE SENSING RELAYS FOR CUSTOMER SUPPLIED CONTROL PANELS.
  - 3.) THESE PUMPS ARE CSA LISTED FOR PUMPING WATER AND WASTEWATER. **DO NOT USE TO PUMP FLAMMABLE LIQUIDS.** NOT SUITABLE FOR ENVIRONMENTS CONTAINING GASOLINE OR HEXANE.
  - 4.) INSTALLATIONS SUCH AS DECORATIVE FOUNTAINS OR WATER FEATURES PROVIDED FOR VISUAL ENJOYMENT MUST BE INSTALLED IN ACCORDANCE WITH THE NATIONAL ELECTRIC CODE ANSI/NFPA 70 AND/OR THE AUTHORITY HAVING JURISDICTION. THIS PUMP IS NOT INTENDED FOR USE IN SWIMMING POOLS, RECREATIONAL WATER PARKS, OR INSTALLATIONS IN WHICH HUMAN CONTACT WITH PUMPED MEDIA IS A COMMON OCCURRENCE.
  - 5.) A **NON-SPARKING** BREAKAWAY FITTING MUST BE USED TO VALIDATE THE EXPLOSION PROOF LISTING.
  - 6.) WINDING RESISTANCE ± 7.5%. WINDING RESISTANCE MEASURED IN OHMS @ 25°C (BETWEEN LINES) AT MOTOR LEADS.
  - 7.) PUMP RATED FOR OPERATION AT ± 10% VOLTAGE AT MOTOR.
  - 8.) ALL EXPLOSION PROOF PUMPS AND MOTORS ARE CSA EXPLOSION-PROOF TO CLASS I DIVISION 1 GROUPS C&D T4 RATING
- \*\* CUSTOMER TO SPECIFY IMPELLER DIAMETER WHEN ORDERING.

# Size 8T (Tri Vane)

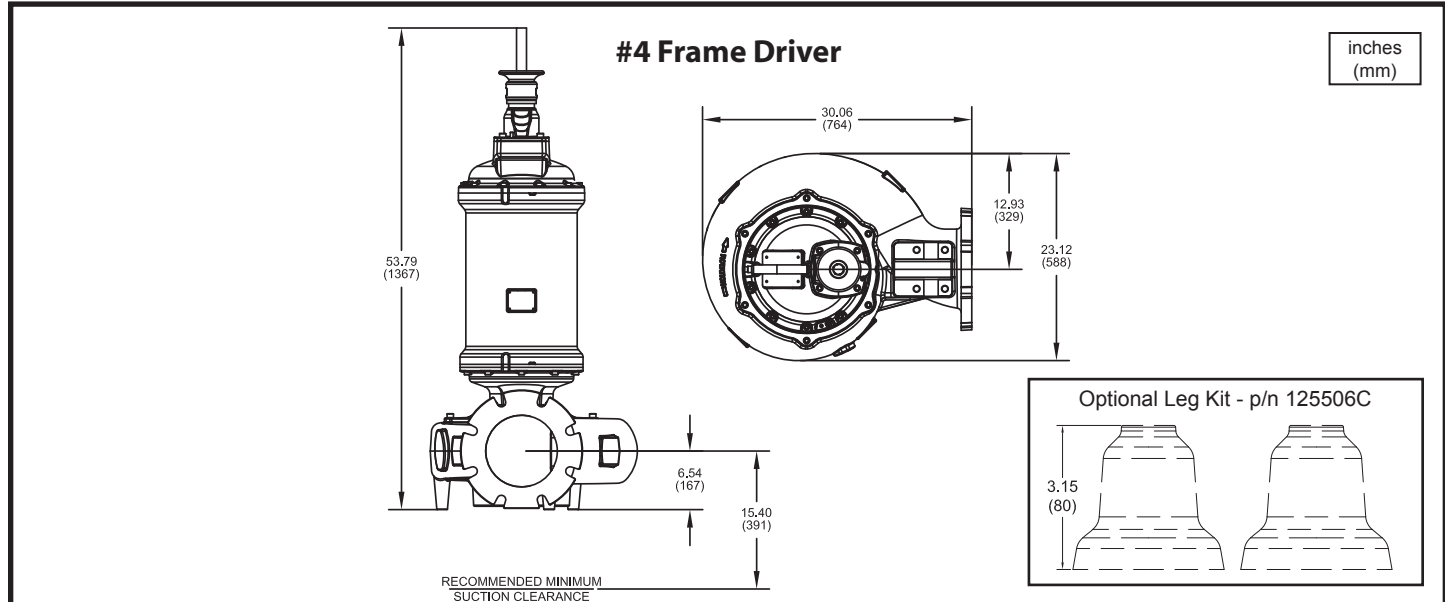
4" Spherical Solids Handling

7365\*-851

# DEMING®

www.cranepumps.com

## Demersible Non-Clog Pumps



Model No.	Imp. Dia. inches (mm)	HP	Volt	PH	Hz	RPM	NEMA Start Code	Full Load Amps	S.F.	S.F. Amps	Locked Rotor Amps	Cord P/N ▲	Cord Size
7365*-851-37-30N	10.04 (255)	10	208	3	60	870	L	37.2	1.2	42.0	230.0	138317	8/4 - 18/4
			230					38.6					
7365*-851-89-30N	10.04 (255)	10	460	3	60	870	L	19.3	1.2	21.1	115.0	138317	8/4 - 18/4
7365*-851-98-30N	10.04 (255)	10	575	3	60	870	L	15.4	1.2	16.9	92.0	138317	8/4 - 18/4
7365*-851-38-30N	11.81 (300)	15	208	3	60	870	G	50.4	1.2	59.0	230.0	138317	8/4 - 18/4
			230					48.4					
7365*-851-90-30N	11.81 (300)	15	460	3	60	870	G	24.2	1.2	27.8	115.0	138317	8/4 - 18/4
7365*-851-99-30N	11.81 (300)	15	575	3	60	870	G	19.4	1.2	22.2	92.0	138317	8/4 - 18/4
7365*-851-31-30N	13.00 (330)	20	208	3	60	870	J	69.0	1.2	76.0	400.0	138318	6/4 - 18/4
			230					75.1					
7365*-851-91-30N	13.00 (330)	20	460	3	60	870	J	37.6	1.2	41.1	200.0	138317	8/4 - 18/4
7365*-851-1A-30N	13.00 (330)	20	575	3	60	870	J	30.1	1.2	32.9	160.0	138317	8/4 - 18/4
7365*-851-32-30N	13.98 (355)	25	208	3	60	870	H	82.3	1.2	98.8	400.0	138319	2/4 - 18/4
			230					84.0					
7365*-851-92-30N	13.98 (355)	25	460	3	60	870	H	42.0	1.2	47.2	200.0	138317	8/4 - 18/4
7365*-851-1B-30N	13.98 (355)	25	575	3	60	870	H	33.6	1.2	37.8	160.0	138317	8/4 - 18/4
7365*-851-33-30N	14.17 (360)	30	208	3	60	870	F	98.8	1.2	124.1	400.0	138319	2/4 - 18/4
			230					94.5					
7365*-851-93-30N	14.17 (360)	30	460	3	60	870	F	47.2	1.2	54.3	200.0	138317	8/4 - 18/4
7365*-851-1C-30N	14.17 (360)	30	575	3	60	870	F	37.8	1.2	43.5	160.0	138317	8/4 - 18/4

\* FOR NON-EXPLOSION PROOF (STANDARD) MODELS, USE FIGURE NUMBER 7365N.

▲ CORD SOLD SEPARATELY. CORD SUFFIX: XF - 50 FEET, XJ - 75 FEET, OR XL - 100 FEET.

**IMPORTANT !**

- 1.) MOISTURE AND TEMPERATURE SENSORS **MUST** BE CONNECTED TO VALIDATE THE CSA LISTING.
  - 2.) A SPECIAL MOISTURE SENSOR RELAY IS REQUIRED IN THE CONTROL PANEL FOR PROPER OPERATION OF THE MOISTURE SENSORS. CONTACT CP&S FOR INFORMATION CONCERNING MOISTURE SENSING RELAYS FOR CUSTOMER SUPPLIED CONTROL PANELS.
  - 3.) THESE PUMPS ARE CSA LISTED FOR PUMPING WATER AND WASTEWATER. **DO NOT USE TO PUMP FLAMMABLE LIQUIDS.** NOT SUITABLE FOR ENVIRONMENTS CONTAINING GASOLINE OR HEXANE.
  - 4.) INSTALLATIONS SUCH AS DECORATIVE FOUNTAINS OR WATER FEATURES PROVIDED FOR VISUAL ENJOYMENT MUST BE INSTALLED IN ACCORDANCE WITH THE NATIONAL ELECTRIC CODE ANSI/NFPA 70 AND/OR THE AUTHORITY HAVING JURISDICTION. THIS PUMP IS NOT INTENDED FOR USE IN SWIMMING POOLS, RECREATIONAL WATER PARKS, OR INSTALLATIONS IN WHICH HUMAN CONTACT WITH PUMPED MEDIA IS A COMMON OCCURRENCE.
  - 5.) A **NON-SPARKING** BREAKAWAY FITTING MUST BE USED TO VALIDATE THE EXPLOSION PROOF LISTING.
  - 6.) WINDING RESISTANCE ± 7.5%. WINDING RESISTANCE MEASURED IN OHMS @ 25°C (BETWEEN LINES) AT MOTOR LEADS.
  - 7.) PUMP RATED FOR OPERATION AT ± 10% VOLTAGE AT MOTOR.
  - 8.) ALL EXPLOSION PROOF PUMPS AND MOTORS ARE CSA EXPLOSION-PROOF TO CLASS I DIVISION 1 GROUPS C&D T4 RATING
- \*\* CUSTOMER TO SPECIFY IMPELLER DIAMETER WHEN ORDERING.

SECTION 42A  
PAGE 86  
DATE 2/18



## PUMPS & SYSTEMS

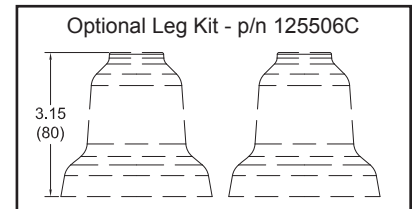
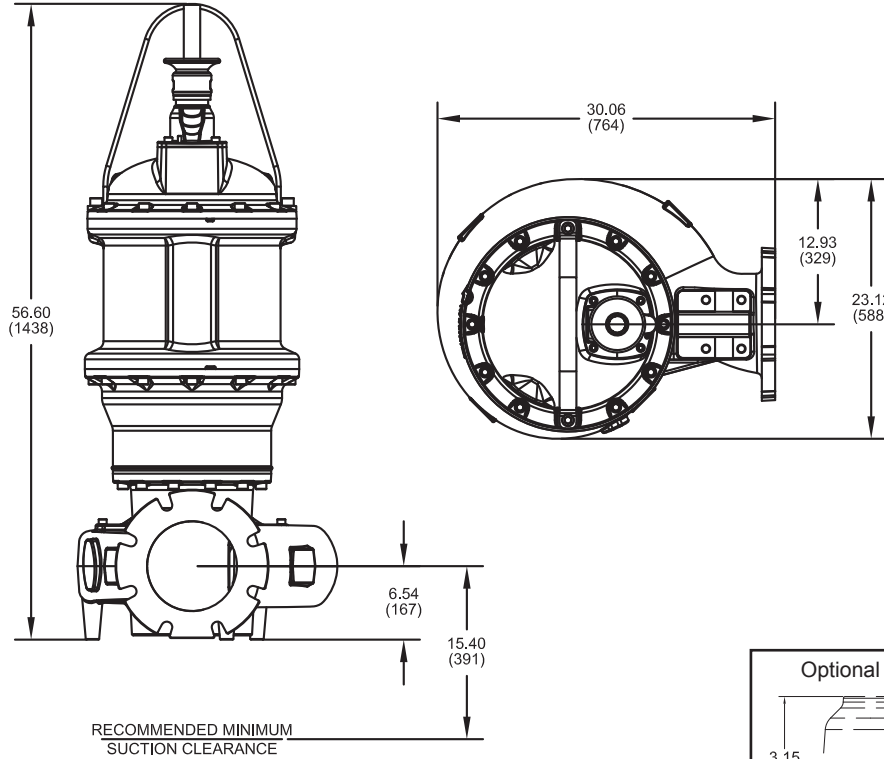
A Crane Co. Company

USA: (937) 778-8947 • Canada: (905) 457-6223 • International: (937) 615-3598

### Demersible Non-Clog Pumps

#### #5 Frame Driver

inches  
(mm)



Model No.	Imp. Dia. inches (mm)	HP	Voit	PH	Hz	RPM	NEMA Start Code	Full Load Amps	S.F.	S.F. Amps	Locked Rotor Amps	Cord P/N ▲	Cord Size
7365*-850-67-30N	9.84 (250)	75	460	3	60	1750	G	108.4	1.15	120.7	578.0	138319	2/4 - 18/4
7365*-850-82-30N	9.84 (250)	75	575	3	60	1750	G	86.7	1.15	96.6	462.4	138319	2/4 - 18/4
7365*-850-68-30N	10.63 (270)	100	460	3	60	1750	E	136.6	1.15	155.3	578.0	138319	2/4 - 18/4
7365*-850-83-30N	10.63 (270)	100	575	3	60	1750	E	109.2	1.15	124.2	462.4	138319	2/4 - 18/4
7365*-850-69-30N	11.61 (295)	125	460	3	60	1750	F	169.4	1.15	191.5	800.0	138320	1/0/4 - 18/4
7365*-850-84-30N	11.61 (295)	125	575	3	60	1750	F	135.6	1.15	153.2	640.0	138319	2/4 - 18/4
7365*-850-97-30N	12.40 (315)	150	460	3	60	1750	D	187.0	1.0	187.0	800.0	138320	1/0/4 - 18/4
7365*-850-1G-30N	12.40 (315)	150	575	3	60	1750	D	159.5	1.0	159.5	640.0	138320	1/0/4 - 18/4

\* FOR NON-EXPLOSION PROOF (STANDARD) MODELS, USE FIGURE NUMBER 7365N.

▲ CORD SOLD SEPARATELY. CORD SUFFIX: XF - 50 FEET, XJ - 75 FEET, OR XL - 100 FEET.

**IMPORTANT !**

- 1.) MOISTURE AND TEMPERATURE SENSORS **MUST** BE CONNECTED TO VALIDATE THE CSA LISTING.
  - 2.) A SPECIAL MOISTURE SENSOR RELAY IS REQUIRED IN THE CONTROL PANEL FOR PROPER OPERATION OF THE MOISTURE SENSORS. CONTACT CP&S FOR INFORMATION CONCERNING MOISTURE SENSING RELAYS FOR CUSTOMER SUPPLIED CONTROL PANELS.
  - 3.) THESE PUMPS ARE CSA LISTED FOR PUMPING WATER AND WASTEWATER. **DO NOT USE TO PUMP FLAMMABLE LIQUIDS.** NOT SUITABLE FOR ENVIRONMENTS CONTAINING GASOLINE OR HEXANE.
  - 4.) INSTALLATIONS SUCH AS DECORATIVE FOUNTAINS OR WATER FEATURES PROVIDED FOR VISUAL ENJOYMENT MUST BE INSTALLED IN ACCORDANCE WITH THE NATIONAL ELECTRIC CODE ANSI/NFPA 70 AND/OR THE AUTHORITY HAVING JURISDICTION. THIS PUMP IS NOT INTENDED FOR USE IN SWIMMING POOLS, RECREATIONAL WATER PARKS, OR INSTALLATIONS IN WHICH HUMAN CONTACT WITH PUMPED MEDIA IS A COMMON OCCURRENCE.
  - 5.) A **NON-SPARKING** BREAKAWAY FITTING MUST BE USED TO VALIDATE THE EXPLOSION PROOF LISTING.
  - 6.) WINDING RESISTANCE ± 7.5%. WINDING RESISTANCE MEASURED IN OHMS @ 25°C (BETWEEN LINES) AT MOTOR LEADS.
  - 7.) PUMP RATED FOR OPERATION AT ± 10% VOLTAGE AT MOTOR.
  - 8.) ALL EXPLOSION PROOF PUMPS AND MOTORS ARE CSA EXPLOSION-PROOF TO CLASS I DIVISION 1 GROUPS C&D T4 RATING
- \*\* CUSTOMER TO SPECIFY IMPELLER DIAMETER WHEN ORDERING.

# Size 8T (Tri Vane)

4" Spherical Solids Handling

7365\*-823, 851

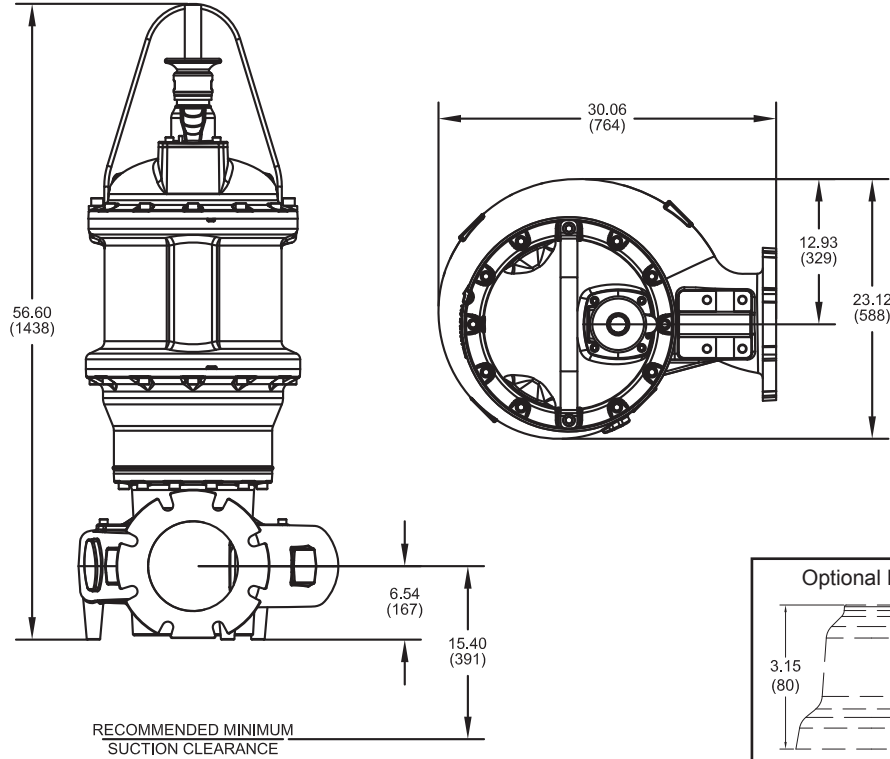
# DEMING®

www.cranepumps.com

## Demersible Non-Clog Pumps

### #5 Frame Driver

inches  
(mm)



RECOMMENDED MINIMUM  
SUCTION CLEARANCE

Optional Leg Kit - p/n 125506C

Model No.	Imp. Dia. inches (mm)	HP	Volt	PH	Hz	RPM	NEMA Start Code	Full Load Amps	S.F.	S.F. Amps	Locked Rotor Amps	Cord P/N ▲	Cord Size
7365*-823-95-30N	13.19 (335)	50	460	3	60	1150	H	76.4	1.15	84.0	400.0	138318	6/4 - 18/4
7365*-823-1E-30N	13.19 (335)	50	575	3	60	1150	H	61.2	1.15	67.2	320.0	138318	6/4 - 18/4
7365*-823-96-30N	13.78 (350)	60	460	3	60	1150	F	86.7	1.15	96.8	400.0	138319	2/4 - 18/4
7365*-823-1F-30N	13.78 (350)	60	575	3	60	1150	F	69.4	1.15	77.4	320.0	138318	6/4 - 18/4
7365*-823-67-30N	14.37 (365)	75	460	3	60	1150	H	109.3	1.15	119.5	612.0	138319	2/4 - 18/4
7365*-823-82-30N	14.37 (365)	75	575	3	60	1150	H	87.4	1.15	95.6	489.6	138319	2/4 - 18/4
7365*-823-68-30N	14.57 (370)	100	460	3	60	1150	E	135.0	1.0	135.0	612.0	138319	2/4 - 18/4
7365*-823-83-30N	14.57 (370)	100	575	3	60	1150	E	108.0	1.0	108.0	489.6	138319	2/4 - 18/4
7365*-851-94-30N	14.57 (370)	40	460	3	60	870	F	62.2	1.15	69.4	275.0	138318	6/4 - 18/4
7365*-851-1D-30N	14.57 (370)	40	575	3	60	870	F	49.8	1.15	55.5	220.0	138317	8/4 - 18/4

\* FOR NON-EXPLOSION PROOF (STANDARD) MODELS, USE FIGURE NUMBER 7365N.

▲ CORD SOLD SEPARATELY. CORD SUFFIX: XF - 50 FEET, XJ - 75 FEET, OR XL - 100 FEET.

#### IMPORTANT !

- 1.) MOISTURE AND TEMPERATURE SENSORS **MUST** BE CONNECTED TO VALIDATE THE CSA LISTING.
  - 2.) A SPECIAL MOISTURE SENSOR RELAY IS REQUIRED IN THE CONTROL PANEL FOR PROPER OPERATION OF THE MOISTURE SENSORS. CONTACT CP&S FOR INFORMATION CONCERNING MOISTURE SENSING RELAYS FOR CUSTOMER SUPPLIED CONTROL PANELS.
  - 3.) THESE PUMPS ARE CSA LISTED FOR PUMPING WATER AND WASTEWATER. **DO NOT USE TO PUMP FLAMMABLE LIQUIDS.** NOT SUITABLE FOR ENVIRONMENTS CONTAINING GASOLINE OR HEXANE.
  - 4.) INSTALLATIONS SUCH AS DECORATIVE FOUNTAINS OR WATER FEATURES PROVIDED FOR VISUAL ENJOYMENT MUST BE INSTALLED IN ACCORDANCE WITH THE NATIONAL ELECTRIC CODE ANSI/NFPA 70 AND/OR THE AUTHORITY HAVING JURISDICTION. THIS PUMP IS NOT INTENDED FOR USE IN SWIMMING POOLS, RECREATIONAL WATER PARKS, OR INSTALLATIONS IN WHICH HUMAN CONTACT WITH PUMPED MEDIA IS A COMMON OCCURRENCE.
  - 5.) A **NON-SPARKING** BREAKAWAY FITTING MUST BE USED TO VALIDATE THE EXPLOSION PROOF LISTING.
  - 6.) WINDING RESISTANCE ± 7.5%. WINDING RESISTANCE MEASURED IN OHMS @ 25°C (BETWEEN LINES) AT MOTOR LEADS.
  - 7.) PUMP RATED FOR OPERATION AT ± 10% VOLTAGE AT MOTOR.
  - 8.) ALL EXPLOSION PROOF PUMPS AND MOTORS ARE CSA EXPLOSION-PROOF TO CLASS I DIVISION 1 GROUPS C&D T4 RATING
- \*\* CUSTOMER TO SPECIFY IMPELLER DIAMETER WHEN ORDERING.

SECTION 42A  
PAGE 88  
DATE 2/18

# CRANE®

A Crane Co. Company

## PUMPS & SYSTEMS

USA: (937) 778-8947 • Canada: (905) 457-6223 • International: (937) 615-3598