

BALDOR® • RELIANCE 

Product Information Packet

ZDVSCP3661T

3HP,1755RPM,3PH,60HZ,182TC,0632M,TEFC,F1

Part Detail							
Revision:	J	Status:	PRD/A	Change #:		Proprietary:	No
Type:	AC	Elec. Spec:	06WGX181	CD Diagram:	CD0005	Mfg Plant:	
Mech. Spec:	06H932	Layout:	06LYH932	Poles:	04	Created Date:	09-04-2012
Base:	RG	Eff. Date:	01-18-2018	Leads:	9#16		

Specs			
Catalog Number:	ZDVSCP3661T	Insulation Class:	F
Enclosure:	TEFC	Inverter Code:	Inverter Duty
Frame:	182TC	KVA Code:	J
Frame Material:	Iron	Lifting Lugs:	Standard Lifting Lugs
Output @ Frequency:	3.000 HP @ 60 HZ	Locked Bearing Indicator:	Locked Bearing
Synchronous Speed @ Frequency:	1800 RPM @ 60 HZ	Motor Lead Quantity/Wire Size:	9 @ 16 AWG
Voltage @ Frequency:	230.0 V @ 60 HZ	Motor Lead Exit:	Ko Box
	460.0 V @ 60 HZ	Motor Lead Termination:	Flying Leads
XP Class and Group:	None	Motor Type:	0632M
XP Division:	Not Applicable	Mounting Arrangement:	F1
Agency Approvals:	UR	Power Factor:	77
	CSA	Product Family:	Chemical Processing (Not DC)
Auxillary Box:	No Auxillary Box	Pulley End Bearing Type:	Ball
Auxillary Box Lead Termination:	None	Pulley Face Code:	C-Face
Base Indicator:	Rigid	Pulley Shaft Indicator:	Standard
Bearing Grease Type:	Polyrex EM (-20F +300F)	Rodent Screen:	None
Blower:	None	Shaft Extension Location:	Pulley End
Current @ Voltage:	4.100 A @ 460.0 V	Shaft Ground Indicator:	No Shaft Grounding

	8.200 A @ 230.0 V	Shaft Rotation:	Reversible
Design Code:	B	Shaft Slinger Indicator:	Shaft Slinger
Drip Cover:	No Drip Cover	Speed Code:	Single Speed
Duty Rating:	CONT	Motor Standards:	NEMA
Electrically Isolated Bearing:	Not Electrically Isolated	Starting Method:	Direct on line
Feedback Device:	RESOLVER	Thermal Device - Bearing:	None
Front Face Code:	Encoder/Feedback Device	Thermal Device - Winding:	Normally Closed Thermostat
Front Shaft Indicator:	No Key Or Flat	Vibration Sensor Indicator:	No Vibration Sensor
Heater Indicator:	No Heater	Winding Thermal 1:	None
		Winding Thermal 2:	None

Nameplate NP2920E	
CAT NO	ZDVSCP3661T
SPEC.	06H932X181Z1
FRAME	182TC HP 3 TE
VOLTS	230/460
MAG CUR	4.2/2.1 FLA 8.2/4.1
RPM	1755 RPM MAX 5400
HZ	60 PH 3 CLASS F
SER.F.	1.00 DES B SL HZ 1.5
NEMA-NOM-EFF	89.5 WK2 0.3
BLWR V	PH HZ A
RATING	40C AMB-CONT
DE BRG	6206 ODE BRG 6206
CC	010A SN 1.5:1 CHP PWM

Parts List		
Part Number	Description	Quantity
SA250735	SA 06H932X181Z1	1.000 EA
RA237586	RA 06H932X181Z1	1.000 EA
HW3201A05	3/8-16 EYEBOLT	1.000 EA
06CB1000A02G	CONDUIT BOX, MACH GRAY	1.000 EA
RM1016	LEAD SEPARATOR GASKET - 305/306 C.P.MOTO	1.000 EA
51XF2520A16	SCREW,HEX SER SLT HD,ZN 1/4-20X1.00LG TD	2.000 EA
11XW1032G06	10-32 X .38, TAPTITE II, HEX WSHR SLTD U	1.000 EA
HW3001B01	BRASS CUP WASHER, FOR #10 SCREW	1.000 EA
10XN2520S06	1/4 20X3/8 HX HD CAP S.S.	2.000 EA
WD1000B16	T&B CX70TN TERMINAL	1.000 EA
36EP1905A28G	FREP FOR SPL CI FANCOVER W/GRS, RLF, .12	1.000 EA
HW4500A01	1641B(ALEMITE)400 UNIV, GREASE FITT	1.000 EA
HA4051A00	PLASTIC CAP FOR GREASE FITTING	1.000 EA
HW4500A17	317400 ALEMITE GREASE RELIEF	1.000 EA
HA4054	SHORT T-DRAIN FITTING, .125" N.P.T.	1.000 EA
HW5100A06	W2420-025 WVY WSHR (WB)	1.000 EA
36EP1300A48G	SPL PU 206 BRG. 182-4TC W/GREASER & RELI	1.000 EA
HW4500A01	1641B(ALEMITE)400 UNIV, GREASE FITT	1.000 EA
HA4051A00	PLASTIC CAP FOR GREASE FITTING	1.000 EA
HW4500A17	317400 ALEMITE GREASE RELIEF	1.000 EA
HA4054	SHORT T-DRAIN FITTING, .125" N.P.T.	1.000 EA
10XN2520A26	1/4-20X 1 5/8 HEX HD	4.000 EA
HW1001A25	LOCKWASHER 1/4, ZINC PLT .493 OD, .255 I	4.000 EA
HA3101A34	THRUBOLT- 1/4-20 X 10.375	4.000 EA

Parts List (continued)		
Part Number	Description	Quantity
06FH1005A16G	FAN COVER, MACH FOR 36EP1905	1.000 EA
WD4100A02	DP-1000 HEYCO PLUG OR 62MP1000 MICRO PL	1.000 EA
10XN2520A36	1/4-20X 2 1/4 HEX HD X	4.000 EA
HW1001A25	LOCKWASHER 1/4, ZINC PLT .493 OD, .255 I	4.000 EA
HA1100A06	SCREEN, RODENT	1.000 EA
51XT1032A04	10-32X1/4 HX WA SL SR TYT (F/S)	4.000 EA
06CB1502A01G	LIPPED CONDUIT BOX LID, MACH GRAY EPOXY	1.000 EA
06GS1003	GASKET, KOBX LID, 1/8" THICK BLACK NEOPR	1.000 EA
10XN2520A12	O1/4-20X 3/4 HEX HEAD CAP	2.000 EA
HW1001A25	LOCKWASHER 1/4, ZINC PLT .493 OD, .255 I	2.000 EA
HA1005A02	SLINGER, OD 2.00, ID 1.14, 206 BRG,	1.000 EA
HW4600B36SP	V-RING SLINGER 1.188 X 1.690 X .24 VITON	1.000 EA
HW2501E16	KEY, 1/4 SQ X 1.750	1.000 EA
HA7000A02	KEY RETAINER RING, 1 1/8 DIA, 1 3/8 DIA	1.000 EA
MJ5001A27	32220KN GRAY SEALER *MIN BUY 4 QTS=1GAL	0.001 QT
85XU0407S04	4X1/4 U DRIVE PIN STAINLESS	2.000 EA
LB1115N	LABEL,LIFTING DEVICE (ON ROLLS)	1.000 EA
MJ1000A02	GREASE, POLYREX EM EXXON (USe 4824-15A)	0.050 LB
36FN3000C02SP	EXFN, PLASTIC, 5.25 OD, 1.175 ID	1.000 EA
51XB1214A16	12-14X1.00 HXWSSLD SERTYB	1.000 EA
611712073A	TACH 210	1.000 EA
MG1025N19	WILKOFASST, 778.50, RELIANCE BLUE-GREEN	0.028 GA
LB1119N	WARNING LABEL	1.000 EA
LC0145B01	CONNECTION LABEL	1.000 EA

NP2920E	SS CP VEC UL CSA CC	1.000 EA
36PA1001	PKG GRP, PRINT PK1017A06	1.000 EA
MN416A01	TAG-INSTAL-MAINT no wire (1200/bx) 5/18	1.000 EA

REL. S.O.	ZDVSCP3661T	VOLTS	460	ENCLOSURE	TEFC	WYE CONNECTION	CHMS PER PHASE
FRAME	182TC	AMPS	4.1	MAX SAFE RPM	5400	(AT BASE RATING, 25°C)	
HP	3	DUTY	CONT	In (AMPS)	2.1	R1	2.0800 X1 5.4900
BASE SPEED	1755	S.F.	1.0	P.F. @NL/FL	6/77	R2	1.4800 X2 4.5800
PHASE/HZ	3/60	AMB ⁰ C/INSUL	40/F	WK ² (lb-ft ²)	0.298		XMI 119.3000

Rated Full Load Data

	RPM	HP	Torque	Volts	Freq-Hz	Amps
Base Speed	1757	3.0	9.06	460	60	4.10
Max Speed	2630	3.0	6.04	460	90	3.90
Min Speed	0	0.0	9.06	33.37	1.43	4.10

Load Performance at Base Speed

	RPM	HP	Torque	Volts	Freq-Hz	Amps
No Load	1799	0.0	0.00	460	60	2.10
1/4	1789	0.8	2.31	460	60	2.34
1/2	1779	1.5	4.54	460	60	2.79
3/4	1769	2.3	6.80	460	60	3.39
Full Load	1757	3.0	9.06	460	60	4.10
O/L	1700	6.5	20.20	460	60	8.50

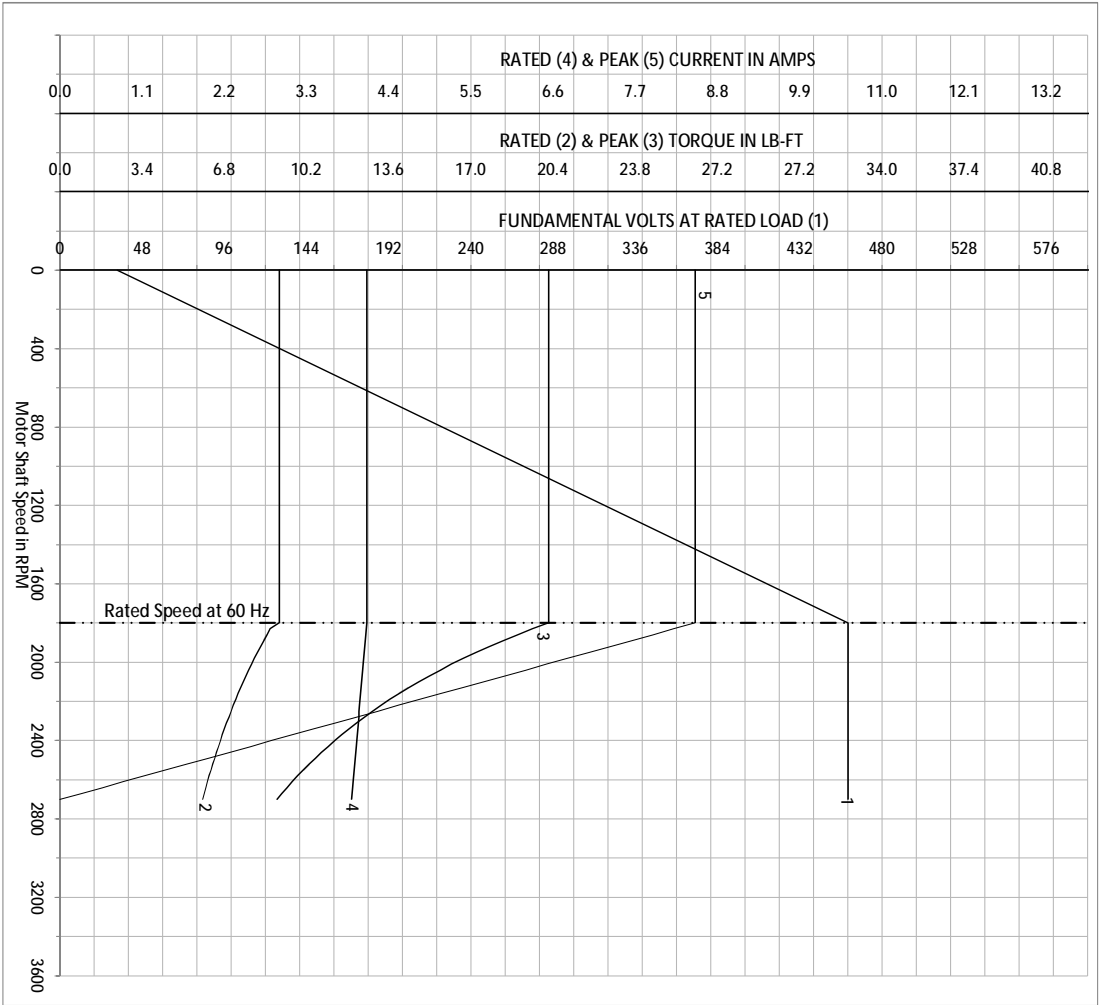
Blower Data	Volts	Ph/Hz	FL Amps	LR Amps	Frame	CFM

Remarks: Calculated Data
Vector PWM Inverter Duty

 <small>A MEMBER OF THE ABB GROUP</small>	<small>DR BY</small> Michael Williams <small>CK BY</small> Michael Williams <small>APP BY</small> Michael Williams <small>DATE</small> 8/20/2012	A-C MOTOR PERFORMANCE CURVES ISSUE DATE 8/20/2012	06H932X181Z1
---	---	---	---------------------

REL. S.O.	ZDVSCP3661T	VOLTS	460	ENCLOSURE	TEFC	WYE/CONN EQ CKT OHMS PER PHASE (AT BASE RATING, 25°C)
FRAME	182TC	AMPS DUTY	4.1	MAX SAFE RPM	5400	R1 2.0800 X1 5.4900
HP	3	S.F.	1.00	P.F. @NL/FL	2.1	R2 1.4800 X2 4.5800
BASE SPEED	1755	AMB ⁰ C/INSUL	40/F	Wk ² (lb-ft ²)	6/77	XM 119.3000
PHASE/HZ	3/60				0.298	

Vector PWM Inverter Duty
Variable Speed AC Motor Curves



Calculated Data
Data Valid For Nameplate Speed Range only

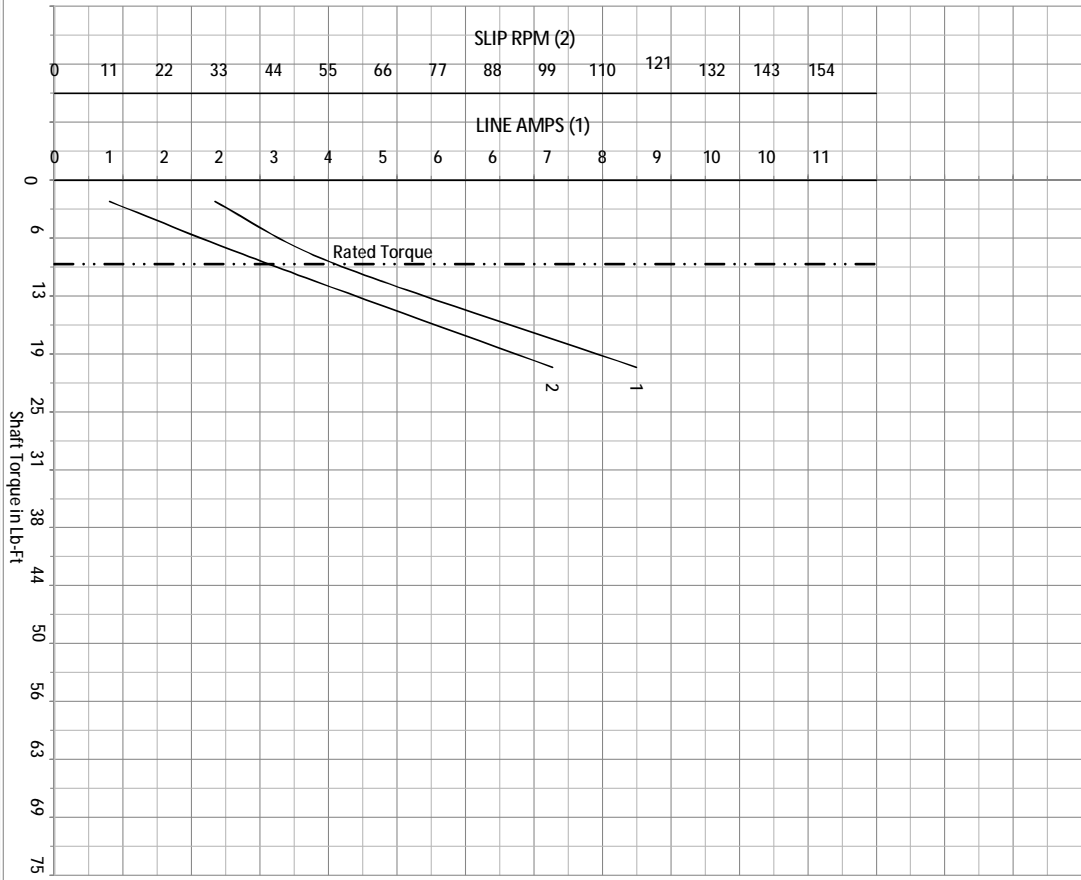
BALDOR
A MEMBER OF THE ABB GROUP

DR BY: Michael Williamson
CK BY: Michael Williamson
APP BY: Michael Williamson
DATE: 8/20/2012

06H932X181Z1
A-C MOTOR PERFORMANCE CURVES
SH 1 of 2
ISSUE DATE: 8/20/2012

REL. S.O.	ZDVSCP3661T	VOLTS	460	ENCLOSURE	TEFC	WYE CONN. EQ. CKT OHMS PER PHASE
FRAME	182TC	AMPS	4.1	MAX SAFE RPM	5400	(AT BASE RATING, 25°C)
HP	3	DUTY	CONT	In (AMPS)	2.1	R1 2.0800 X1 5.4900
BASE SPEED	1755	S.F.	1.00	P.F. @N/FL	6/77	R2 1.4800 X2 4.5800
PHASE/HZ	3/60	AMB ⁶ /INSUL.	40/F	WK ² (Lb-Ft ²)	0.298	XM 119.3000

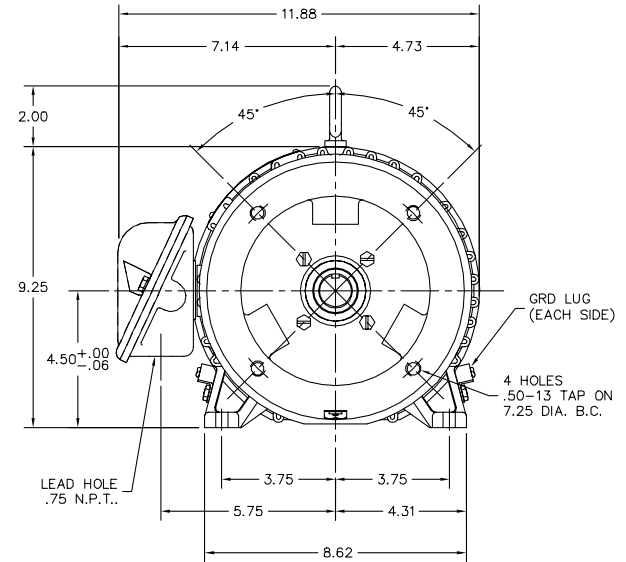
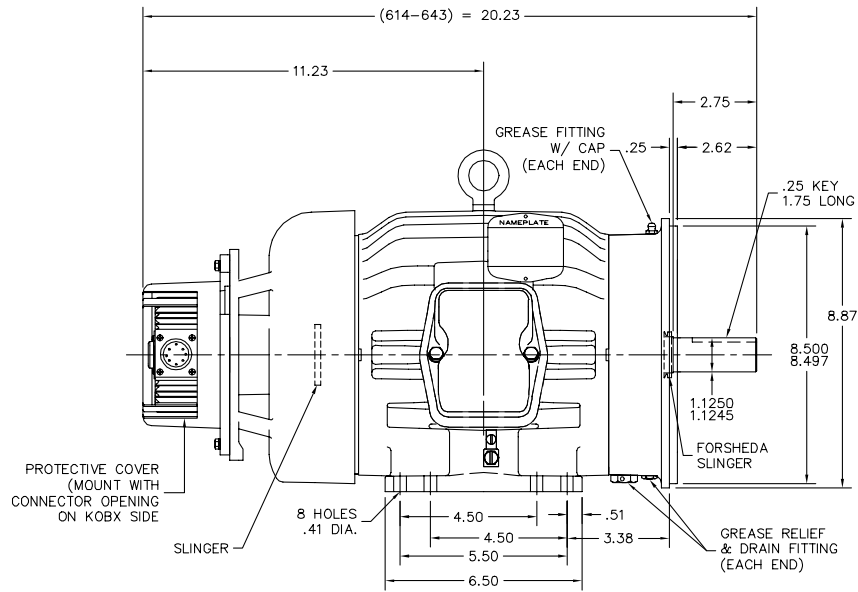
Vector PWM Inverter Duty
Variable Speed AC Motor Curves



Calculated Data
Data Valid For Nameplate Speed Range only

<p>BALDOR A MEMBER OF THE ABB GROUP</p>	DR BY Michael Williams CK BY Michael Williams APP BY Michael Williams DATE 8/20/2012	A-C MOTOR PERFORMANCE CURVES	06H932X181Z1 SH 2 of 2 ISSUE DATE 8/20/2012
--	---	---------------------------------	---

06LYH932



CUSTOMER IS RESPONSIBLE FOR DETERMINING THAT BALDOR'S PRODUCT WILL PERFORM SUITABLY IN THE INTENDED APPLICATION.

REV. DESC: CHANGED NOTE FOR ENCODER COVER			TDR: 000000767560
REV. LTR: A	VERSION: 01		
FILE: \AAA\00193\870	REVISED: 11:00:27 10/04/2012	BY: ENBRAMO	
MTL: -			

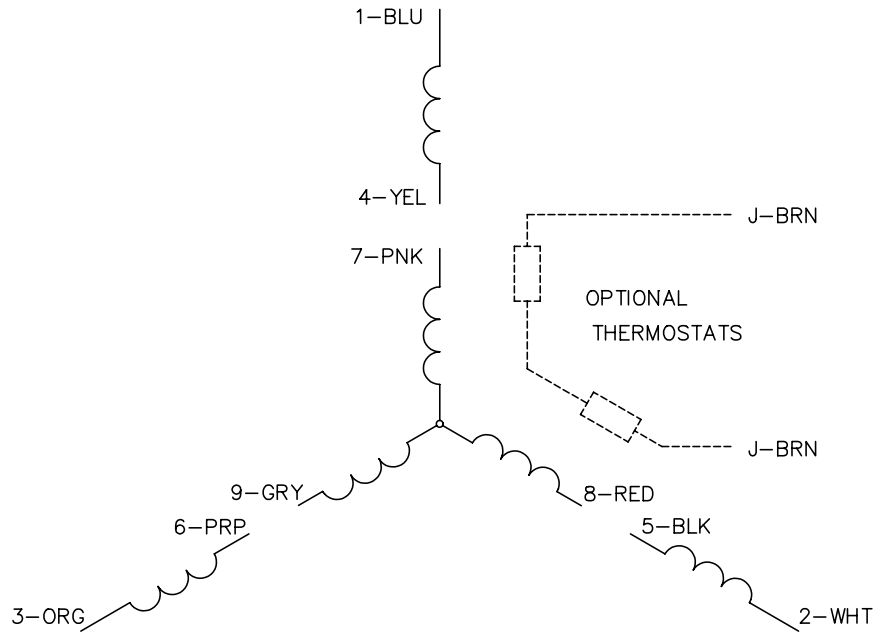
BALDOR

STD HORZ 182-4TC TEFC VPS MASTER CP VECTOR W/ DYNAPAR HSD38

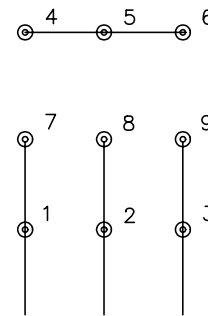
SH 1 of 1

06LYH932

CD0005

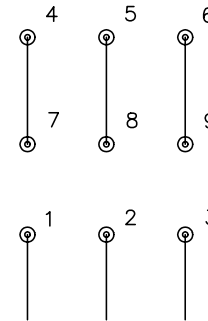


LOW VOLTAGE
(2Y)



LINE

HIGH VOLTAGE
(1Y)



LINE

NOTES:

1. INTERCHANGE ANY TWO LINE LEADS TO REVERSE ROTATION.
2. OPTIONAL THERMOSTATS ARE PROVIDED WHEN SPECIFIED.
3. ACTUAL NUMBER OF INTERNAL PARALLEL CIRCUITS MAY BE A MULTIPLE OF THOSE SHOWN ABOVE.
4. LEAD COLORS ARE OPTIONAL. LEADS MUST ALWAYS BE NUMBERED AS SHOWN.

REV. DESC: REVISE TO SHOW OPTIONAL COLORS			
REV. LTR: E	BY: JLP	REVISED: 01/19/99 10:15	TDR: 0171435
900000		FILE: AAA00005140	MDL: -
		MTL: -	

BALDOR ELECTRIC Co.

3PH, DV, 9 LEADS

CD0005