

BALDOR® • RELIANCE 

Product Information Packet

ZDVSCP4103T

25HP, 1775RPM, 3PH, 60HZ, 284TC, 1054M, TEFC, F

Part Detail							
Revision:	D	Status:	PRD/A	Change #:		Proprietary:	No
Type:	AC	Elec. Spec:	10WGZ651	CD Diagram:	CD0180	Mfg Plant:	
Mech. Spec:	10H956	Layout:	10LYH956	Poles:	04	Created Date:	12-13-2017
Base:	RG	Eff. Date:	06-27-2018	Leads:	9#10		

Specs			
Catalog Number:	ZDVSCP4103T	Insulation Class:	F
Enclosure:	TEFC	Inverter Code:	Inverter Duty
Frame:	284TC	KVA Code:	J
Frame Material:	Iron	Lifting Lugs:	Standard Lifting Lugs
Output @ Frequency:	25.000 HP @ 60 HZ	Locked Bearing Indicator:	Locked Bearing
Synchronous Speed @ Frequency:	1800 RPM @ 60 HZ	Motor Lead Quantity/Wire Size:	9 @ 10 AWG
Voltage @ Frequency:	460.0 V @ 60 HZ	Motor Lead Exit:	Ko Box
	230.0 V @ 60 HZ	Motor Lead Termination:	Flying Leads
XP Class and Group:	None	Motor Type:	1054M
XP Division:	Not Applicable	Mounting Arrangement:	F1
Agency Approvals:	CSA	Power Factor:	81
	UR	Product Family:	Chemical Processing (Not DC)
Auxillary Box:	No Auxillary Box	Pulley End Bearing Type:	Ball
Auxillary Box Lead Termination:	None	Pulley Face Code:	C-Face
Base Indicator:	Rigid	Pulley Shaft Indicator:	Standard
Bearing Grease Type:	Polyrex EM (-20F +300F)	Rodent Screen:	None
Blower:	None	Shaft Extension Location:	Pulley End
Current @ Voltage:	31.000 A @ 460.0 V	Shaft Ground Indicator:	No Shaft Grounding

	62.000 A @ 230.0 V	Shaft Rotation:	Reversible
	64.000 A @ 208.0 V	Shaft Slinger Indicator:	Shaft Slinger
Design Code:	A	Speed Code:	Single Speed
Drip Cover:	No Drip Cover	Motor Standards:	NEMA
Duty Rating:	CONT	Starting Method:	Direct on line
Electrically Isolated Bearing:	Not Electrically Isolated	Thermal Device - Bearing:	NONE (OLD)
Feedback Device:	TACHOMETER	Thermal Device - Winding:	Normally Closed Thermostat
Front Face Code:	Standard	Vibration Sensor Indicator:	No Vibration Sensor
Front Shaft Indicator:	None	Winding Thermal 1:	None
Heater Indicator:	No Heater	Winding Thermal 2:	None

Nameplate NP3303L	
CAT NO	ZDVSCP4103T
SPEC.	10H956Z651Z1
FRAME	284TC HP 25 TE
VOLTS	230/460
MAG CUR	27.2/13.6 FLA 62/31
RPM	1775 RPM MAX 2700
HZ	60 PH 3 CLASS F
SER.F.	1.00 SL HZ 0.8
NEMA-NOM-EFF	93.6 WK2 4.13
RATING	40C AMB-CONT
DE BRG	6311 ODE BRG 6311
CC	010A SN
	1.5:1 CHP PWM

Nameplate NP0090L	
FRONT	6311
PULLEY	6311
LUBRICATE WITH	
GREASE	POLYREX EM

Parts List		
Part Number	Description	Quantity
SA349043	SA 10H956Z651Z1	1.000 EA
RA337640	RA 10H956Z651Z1	1.000 EA
09FN3001D02	EXTERNAL FAN, PLASTIC	1.000 EA
10CB1000A09P	CONDUIT BOX, MACH W/EPOXY PRIMER	1.000 EA
09GS1010	GASKET, DWG, LEADWIRE SEPERATOR	1.000 EA
10XN3118K16	5/16-18 X 1' GRADE #5, STL, ZINC PLATE	4.000 EA
HW1001A31	LOCKWASHER 5/16, ZINC PLT.591 OD, .319 I	4.000 EA
WD1000B16	T&B CX70TN TERMINAL	1.000 EA
10XN2520K06	1/4-20 X 3/8" HX HD SCREWGRADE 5, ZINC P	1.000 EA
HW1001A25	LOCKWASHER 1/4, ZINC PLT .493 OD, .255 I	1.000 EA
HA4017A03	.125 X 1.75 GREASE EXT (F/S)	1.000 EA
HA4017A02	.125X2.50 GREASER EXTENS.F/S	1.000 EA
HW4019A01	PIPE COUPLING 1/8 NPT,STEEL,ZINC COATING	1.000 EA
10XN3816K28	3/8-16 X 1.75 HEX HD CAP SCREW, GRADE 5	4.000 EA
HW4500A20	1/8NPT SL PIPE PLUG	1.000 EA
HW4600B67	V-RING SLINGER 1.770 X 2.170 X .28 VITON	1.000 EA
HW5100A13	W4627-047 WVY WSHER	1.000 EA
10XN3118K36	5/16-18 X 2.25" HEX HD, GRADE 5	2.000 EA
10EP1305A117P	PU ENDPLATE, MACH W/EPOXY	1.000 EA
10XN3816K28	3/8-16 X 1.75 HEX HD CAP SCREW, GRADE 5	4.000 EA
HW4500A20	1/8NPT SL PIPE PLUG	1.000 EA
HW4600B40	V-RING SLINGER 2.000 X 2.680 X .28 VITON	1.000 EA
10XN3118K40	5/16-18 X 2.50" HEX HD, GRADE 5	4.000 EA
10FH1007A59P	FAN COVER, MACH FOR DBL SHF MTRS	1.000 EA

Parts List (continued)		
Part Number	Description	Quantity
10XN3118K24	5/16-18 X 1.50" HEX HD, GRADE 5	3.000 EA
HW1001A31	LOCKWASHER 5/16, ZINC PLT.591 OD, .319 I	3.000 EA
611712073A	TACH 210	1.000 EA
10XN2520K12	1/4-20 X.75 GRD 5	2.000 EA
HW1000A25	1/4 SAE FLAT WASHER (FS)	2.000 EA
10CB1503A01P	CONDUIT BOX LIPPED LID, MACH W/EPXY PRMR	1.000 EA
14GS1003	GASKET CONDUIT BOX LID, NEOP	1.000 EA
10XN2520K16	1/4-20 X 1" HX HD SCRW GRADE 5, ZINC P	4.000 EA
HW1001A25	LOCKWASHER 1/4, ZINC PLT .493 OD, .255 I	4.000 EA
HW2501H28	KEY, 1/2 SQ X 3.250	1.000 EA
MJ5001A27	32220KN GRAY SEALER *MIN BUY 4 QTS=1GAL	0.031 QT
MJ5001A14	DYNAPRO SEALANT, CP MTR VC#2508050 (603	0.033 EA
MJ5002A01	SILICON RUBBER SEALANT, 732CL 10.3 OZ TU	0.025 EA
LB1115N	LABEL,LIFTING DEVICE (ON ROLLS)	1.000 EA
LB1002N	LABEL,MARINE DUTY (ON ROLLS)	1.000 EA
10EP1110A44GP6	FREP, MACH W/PRIMER & GREEN PAINT	1.000 EA
HW4500A17	317400 ALEMITE GREASE RELIEF	1.000 EA
HW4500A21	1618BALEMITE FITTING 825 UNIVERSAL	1.000 EA
HA4054	SHORT T-DRAIN FITTING, .125" N.P.T.	1.000 EA
HA4051A00	PLASTIC CAP FOR GREASE FITTING	1.000 EA
MJ1000A02	GREASE, POLYREX EM EXXON (USe 4824-15A)	0.130 LB
HW4500A17	317400 ALEMITE GREASE RELIEF	1.000 EA
HW4500A03	GREASE FITTING, .125 NPT 1610(ALEMITE) 8	1.000 EA
HA4054	SHORT T-DRAIN FITTING, .125" N.P.T.	1.000 EA

Product Information Packet: ZDVSCP4103T - 25HP,1775RPM,3PH,60HZ,284TC,1054M,TEFC,F

HA4051A00	PLASTIC CAP FOR GREASE FITTING	1.000 EA
51XB1214A20	12-14X1.25 HXWSSLD SERTYB	1.000 EA
HW2500A25	WOODRUFF KEY USA #1008 #BLOW CARBON STEE	1.000 EA
MG1025N19	WILKOFAS, 778.50, RELIANCE BLUE-GREEN	0.070 GA
85XU0407S04	4X1/4 U DRIVE PIN STAINLESS	4.000 EA
LB1119N	WARNING LABEL	1.000 EA
LC0181	CONNECTION LABEL	1.000 EA
NP3303L	SS VEC UL CSA CC (W/OUT DESIGN FIELD)	1.000 EA
NP0090L	NP BRG INFO LASER ETCHED	1.000 EA
10PA1010	PACKAGING GROUP, PRINT PK1151A06	1.000 EA
MN416A01	TAG-INSTAL-MAINT no wire (1200/bx) 5/18	1.000 EA

NP VOLTS	230/460	MAX SAFE RPM	2700	WYE CONN EQ CKT OHMS PER PHASE (BASE RATING, 20C)				
NP AMPS	62/31	Base Volt	460	R1	0.121	X1	0.578	
HP	25 HP	NL AMPS	13.60	R2	0.588	X2	0.512	
BASE SPEED	1778	Slips(Hz)	0.74	R2B	0.086	X2B	0.790	
PHASE/Hz	3/60	Wk2 ()	0.000	R2E	0.025	XM	16.600	

Rated Full Load Data



	RPM	HP	Torque	Volts	Freq-Hz	Amps
Base Speed	1777.8	25.1	74.0	460	60	30.6
Max Speed	2666	25.1	49.4	460	90	27.9
Min Speed	0	0.0	74.0	15.59	0.74	30.6

Load Performance at Base Speed

	RPM	HP	Torque	Volts	Freq-Hz	Amps
No Load	1798.9	0.0	0.0	460	60	13.6
1/4	1794.1	6.2	18.2	460	60	15.3
1/2	1789.3	12.6	36.9	460	60	19.3
3/4	1783.5	18.8	55.3	460	60	24.6
Full Load	1777.8	25.1	74.0	460	60	30.6
O/L	1753	50.1	150.0	460	60	59.4

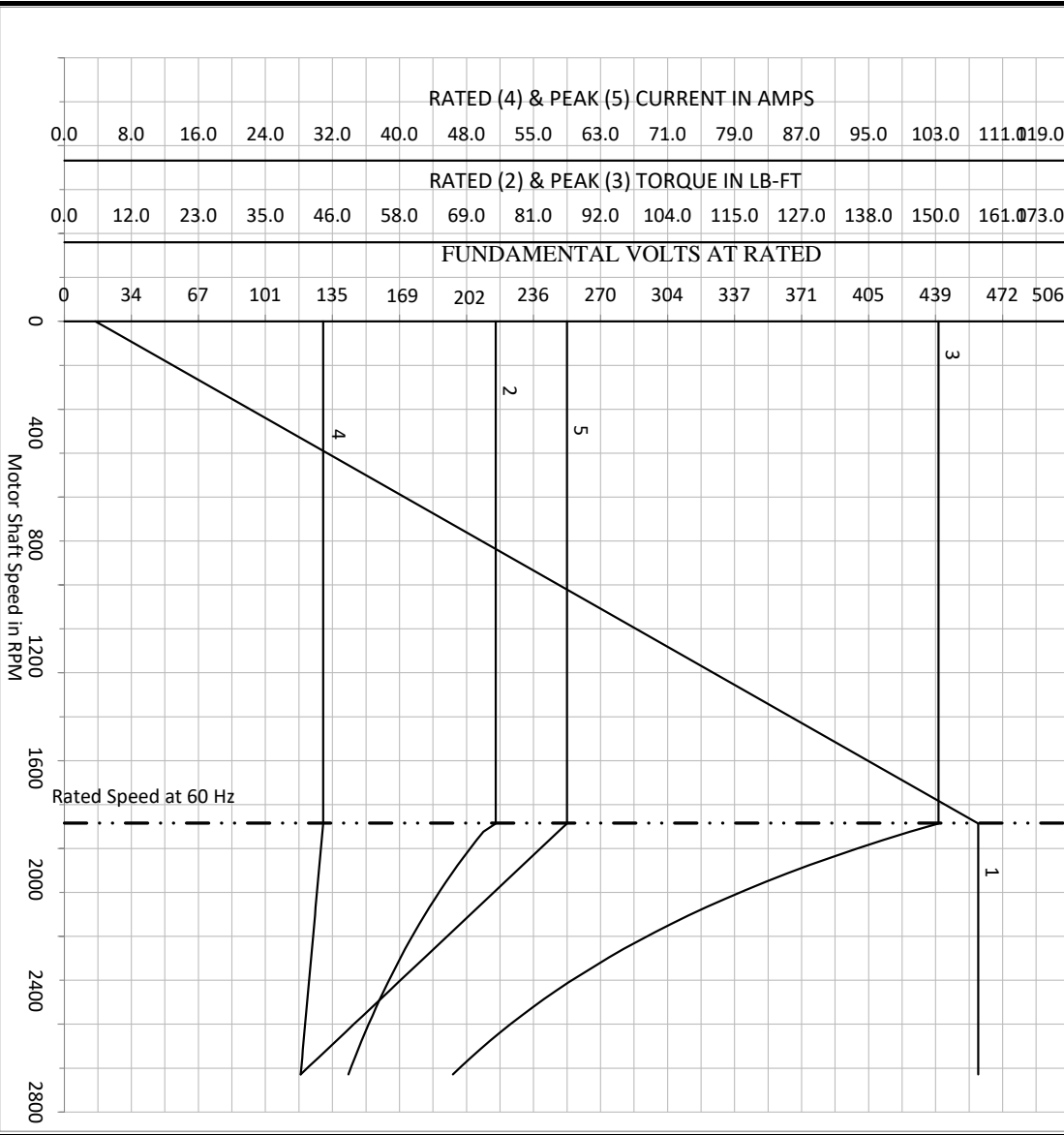
Blower Data	Volts	Ph/Hz	FL Amps	LR Amps	Frame	CFM

Remarks: Calculated Data
Vector PWM Inverter Duty

	DR BY	USBRRANI	A-C MOTOR PERFORMANCE CURVES	10WGZ651
	CK BY	USBRRANI		
	APP BY	USBRRANI	Record: 68462	
A MEMBER OF THE ABB GROUP	DATE	12/13/2017		

NP VOLTS	230/460	MAX SAFE RPM	2700	WYE CONN EQ CKT OHMS PER PHASE (BASE RATING, 20C)			
NP AMPS	62/31	Base Volt	460	R1	0.121	X1	0.578
HP	25 HP	NL AMPS	13.60	R2	0.588	X2	0.512
BASE SPEED	1777.80005	Slips(HZ)	0.74	R2B	0.086	X2B	0.790
PHASE/HZ	3/60	WK2 ()	0.000	R2E	0.025	XM	16.600

Variable Speed AC Motor Curves
Vector PWM Inverter Duty



Calculated Data
Data Valid For Nameplate Speed Range only



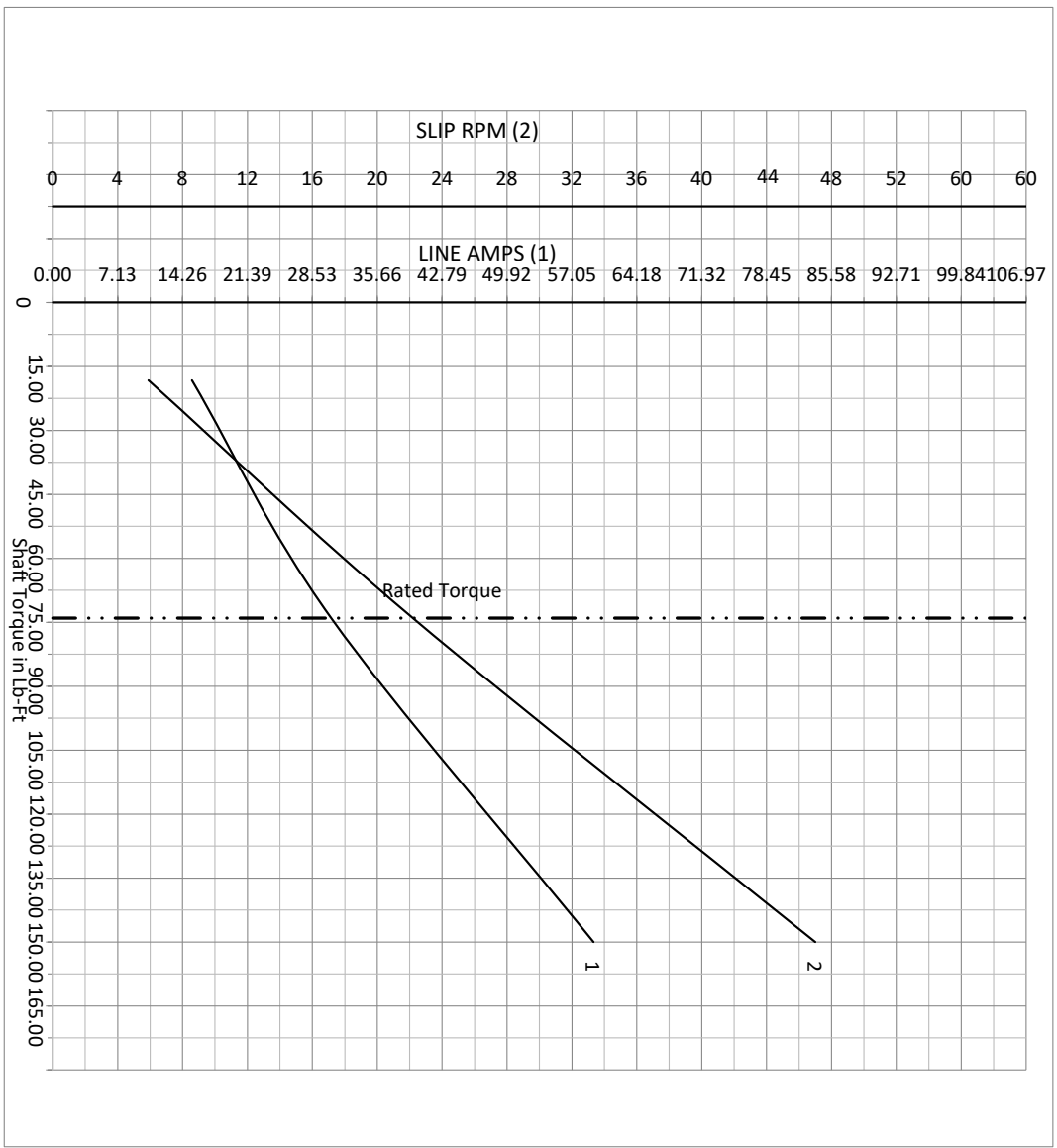
DR BY USBRRANI
CK BY
APP BY USBRRANI
DATE 12/13/2017

A-C MOTOR
PERFORMANCE
CURVES

10WGZ651
Record: 68462

NP VOLTS	230/460	MAX SAFE RPM	2700	WYE CONN EQ CKT OHMS PER PHASE (BASE RATING, 20C)			
NP AMPS	62/31	Base Volt	460	R1	0.121	X1	0.578
HP	25 HP	NL AMPS	13.60	R2	0.588	X2	0.512
BASE SPEED	1777.800049	Slips(HZ)	0.74	R2B	0.086	X2B	0.790
PHASE/HZ	3/60	WK2 ()	0.000	R2E	0.025	XM	16.600

Vector PWM Inverter Duty
Variable Speed AC Motor Curves

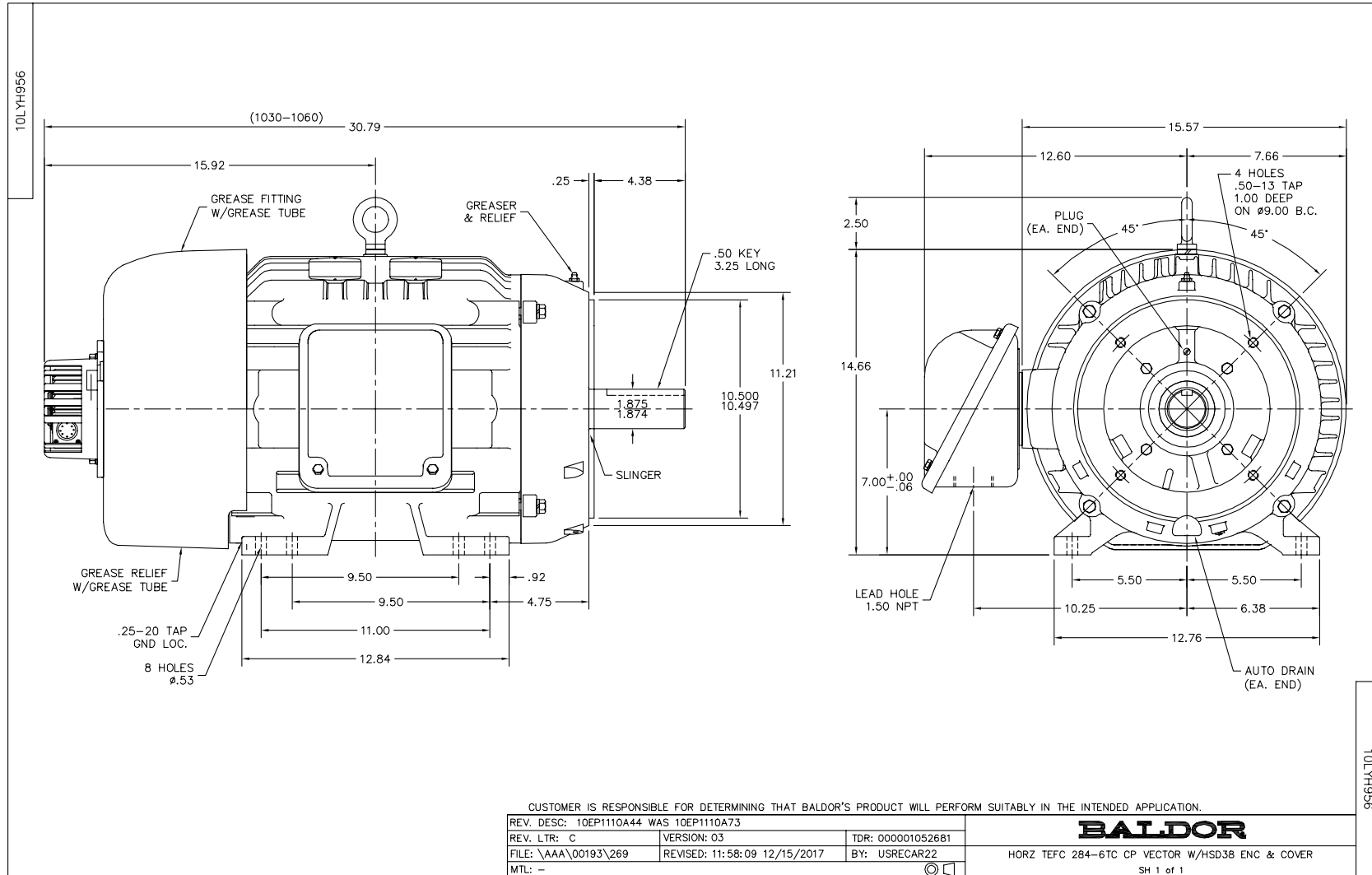


Calculated Data

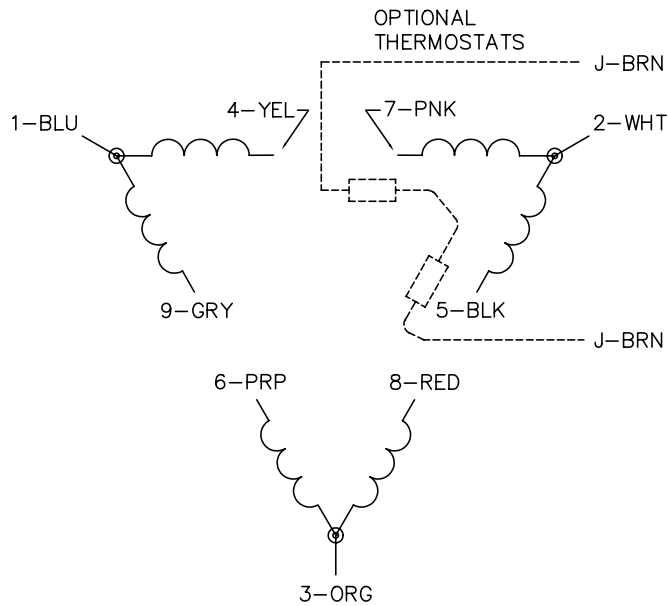
Data Valid For Nameplate Speed Range only

BALDOR
A MEMBER OF THE ABB GROUP

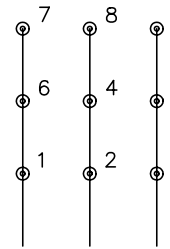
DR BY	USBRRANI	A-C MOTOR	10WGZ651
CK BY		PERFORMANCE	
APP BY	USBRRANI	CURVES	
DATE	12/13/2017		Record: 68462



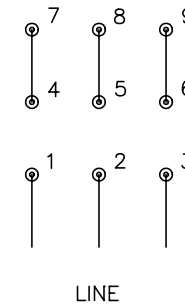
CD0180



LOW VOLTAGE
(2D)



HIGH VOLTAGE
(1D)



NOTES:

1. INTERCHANGE ANY TWO LINE LEADS TO REVERSE ROTATION.
2. OPTIONAL THERMOSTATS ARE PROVIDED WHEN SPECIFIED.
3. ACTUAL NUMBER OF INTERNAL PARALLEL CIRCUITS MAY BE A MULTIPLE OF THOSE SHOWN ABOVE.
4. LEAD COLORS ARE OPTIONAL. LEADS MUST ALWAYS BE NUMBERED AS SHOWN.

REV. DESC: REVISE TO SHOW OPTIONAL COLORS			
REV. LTR: C	BY: JLP	REVISED: 01/21/99 2:28	TDR: 0171435
0810D0		FILE: AAA00005148	MDL: -
		MTL: -	

BALDOR ELECTRIC Co.

3PH, DV, 9 LEADS, DELTA CONNECTION

CD0180

Marketing maintained PDF of MN416:

<http://www.baldor.com/support/Literature/Load.ashx/MN416?ManNumber=MN416>