

BALDOR® • RELIANCE 

Product Information Packet

ZDVSNCP3581T

1HP, 1765RPM, 3PH, 60HZ, 143TC, 0524M, TENV, F1

Part Detail							
Revision:	L	Status:	PRD/A	Change #:		Proprietary:	No
Type:	AC	Elec. Spec:	05WGX014	CD Diagram:	CD0005	Mfg Plant:	
Mech. Spec:	05F205	Layout:	05LYF205	Poles:	04	Created Date:	12-03-2010
Base:	RG	Eff. Date:	05-05-2017	Leads:	9#18		

Specs			
Catalog Number:	ZDVSNCP3581T	Insulation Class:	H
Enclosure:	TENV	Inverter Code:	Inverter Duty
Frame:	143TC	KVA Code:	N
Frame Material:	Iron	Lifting Lugs:	Standard Lifting Lugs
Output @ Frequency:	1.000 HP @ 60 HZ	Locked Bearing Indicator:	Locked Bearing
Synchronous Speed @ Frequency:	1800 RPM @ 60 HZ	Motor Lead Quantity/Wire Size:	9 @ 18 AWG
Voltage @ Frequency:	230.0 V @ 60 HZ	Motor Lead Exit:	Ko Box
	460.0 V @ 60 HZ	Motor Lead Termination:	Flying Leads
XP Class and Group:	None	Motor Type:	0524M
XP Division:	Not Applicable	Mounting Arrangement:	F1
Agency Approvals:	UR	Power Factor:	70
	CSA	Product Family:	Chemical Processing (Not DC)
Auxillary Box:	No Auxillary Box	Pulley End Bearing Type:	Ball
Auxillary Box Lead Termination:	None	Pulley Face Code:	C-Face
Base Indicator:	Rigid	Pulley Shaft Indicator:	Standard
Bearing Grease Type:	Polyrex EM (-20F +300F)	Rodent Screen:	None
Blower:	None	Shaft Extension Location:	Pulley End
Current @ Voltage:	1.500 A @ 460.0 V	Shaft Ground Indicator:	No Shaft Grounding

	3.000 A @ 230.0 V	Shaft Rotation:	Reversible
Design Code:	B	Shaft Slinger Indicator:	No Slinger
Drip Cover:	No Drip Cover	Speed Code:	Single Speed
Duty Rating:	CONT	Motor Standards:	NEMA
Electrically Isolated Bearing:	Not Electrically Isolated	Starting Method:	Direct on line
Feedback Device:	ENCODER	Thermal Device - Bearing:	None
Front Face Code:	Standard	Thermal Device - Winding:	Normally Closed Thermostat
Front Shaft Indicator:	None	Vibration Sensor Indicator:	No Vibration Sensor
Heater Indicator:	No Heater	Winding Thermal 1:	None
		Winding Thermal 2:	None

Nameplate NP3303L	
CAT NO	ZDVSNCP3581T
SPEC.	05F205X014Z1
FRAME	143TC HP 1 TE
VOLTS	230/460
MAG CUR	2/1 FLA 3/1.5
RPM	1765 RPM MAX 6000
HZ	60 PH 3 CLASS H
SER.F.	1.00 SL HZ 1.2
NEMA-NOM-EFF	87.5 WK2 0.14
RATING	40C AMB-CONT
DE BRG	6205 ODE BRG 6203
CC	010A SN

Parts List		
Part Number	Description	Quantity
SA213102	SA 05F205X014Z1	1.000 EA
RA200328	RA 05F205X014Z1	1.000 EA
HW3201A05	3/8-16 EYEBOLT	1.000 EA
06CB1000A02G	CONDUIT BOX, MACH GRAY	1.000 EA
RM1016	LEAD SEPARATOR GASKET - 305/306 C.P.MOTO	1.000 EA
51XW2520A12	SCREW, HEX SER SLT HD, ZN, 1/4-20 X .75	2.000 EA
11XW1032G06	10-32 X .38, TAPTITE II, HEX WSHR SLTD U	1.000 EA
HW3001B01	BRASS CUP WASHER, FOR #10 SCREW	1.000 EA
10XN2520S06	1/4 20X3/8 HX HD CAP S.S.	1.000 EA
WD1000B16	T&B CX70TN TERMINAL	1.000 EA
35EP1100C64G	FRONT TENV 203 BRG CP DUTY FOR THRU-SHAF	1.000 EA
HW4500A19	1/4-28X1/4 SLOTTED PLUG F/S	1.000 EA
HW4500A17	317400 ALEMITE GREASE RELIEF	1.000 EA
HA4054	SHORT T-DRAIN FITTING, .125" N.P.T.	1.000 EA
HW5100A03	WAVY WASHER (W1543-017)	1.000 EA
35EP1329A16G	PUEP ENCL 143-5TC 205 BRG,GRSR,RLF,NPT D	1.000 EA
HW4500A19	1/4-28X1/4 SLOTTED PLUG F/S	1.000 EA
HW4500A17	317400 ALEMITE GREASE RELIEF	1.000 EA
HA4054	SHORT T-DRAIN FITTING, .125" N.P.T.	1.000 EA
51XN1032A18	10-32 X 1 1/8 HX WS SL SR (ESKAY)	2.000 EA
HA3100A28	THRUBOLT 10-32 X 8.187	4.000 EA
10XN2520A08	1/4-20X1/2 HEX HEAD CAP	1.000 EA
35FH4801G	THRU-SHAFT ENCODER COVER INV/VECTOR F1 &	1.000 EA
10XN2520A08	1/4-20X1/2 HEX HEAD CAP	4.000 EA

Parts List (continued)		
Part Number	Description	Quantity
06CB1502A01G	LIPPED CONDUIT BOX LID, MACH GRAY EPOXY	1.000 EA
06GS1003	GASKET, KOBX LID, 1/8" THICK BLACK NEOPR	1.000 EA
10XN2520A12	O1/4-20X 3/4 HEX HEAD CAP	2.000 EA
HW1001A25	LOCKWASHER 1/4, ZINC PLT .493 OD, .255 I	2.000 EA
HA1005A05SP	SLINGER, OD 1.50, ID .659, 203 BRG	1.000 EA
HW4600B32SP	V-RING SLINGER 1.000 X 1.540 X .24 VITON	1.000 EA
HW2501D13	KEY, 3/16 SQ X 1.375	1.000 EA
HA7000A01	KEY RETAINER 7/8" DIA SHAFT	1.000 EA
MJ5001A27	32220KN GRAY SEALER *MIN BUY 4 QTS=1GAL	0.001 QT
MJ5004A05	#242-21 LOCTITE GENERAL PURPOSE MED. STR	0.005 EA
85XU0407S04	4X1/4 U DRIVE PIN STAINLESS	2.000 EA
LB1115N	LABEL,LIFTING DEVICE (ON ROLLS)	1.000 EA
MJ1000A02	GREASE, POLYREX EM EXXON (USe 4824-15A)	0.050 LB
OE5011A08	HS25 ENCODER ASSY - TENV "CP DUTY"	1.000 EA
MG1025N19	WILKOFASST, 778.50, RELIANCE BLUE-GREEN	0.022 GA
LB1119N	WARNING LABEL	1.000 EA
LC0145B01	CONNECTION LABEL	1.000 EA
NP3303L	SS VEC UL CSA CC (W/OUT DESIGN FIELD)	1.000 EA
36PA1001	PKG GRP, PRINT PK1017A06	1.000 EA
MN416A01	TAG-INSTAL-MAINT no wire (1200/bx) 5/18	1.000 EA

AC Induction Motor Performance Data

Record # 36457 - Typical performance - not guaranteed values

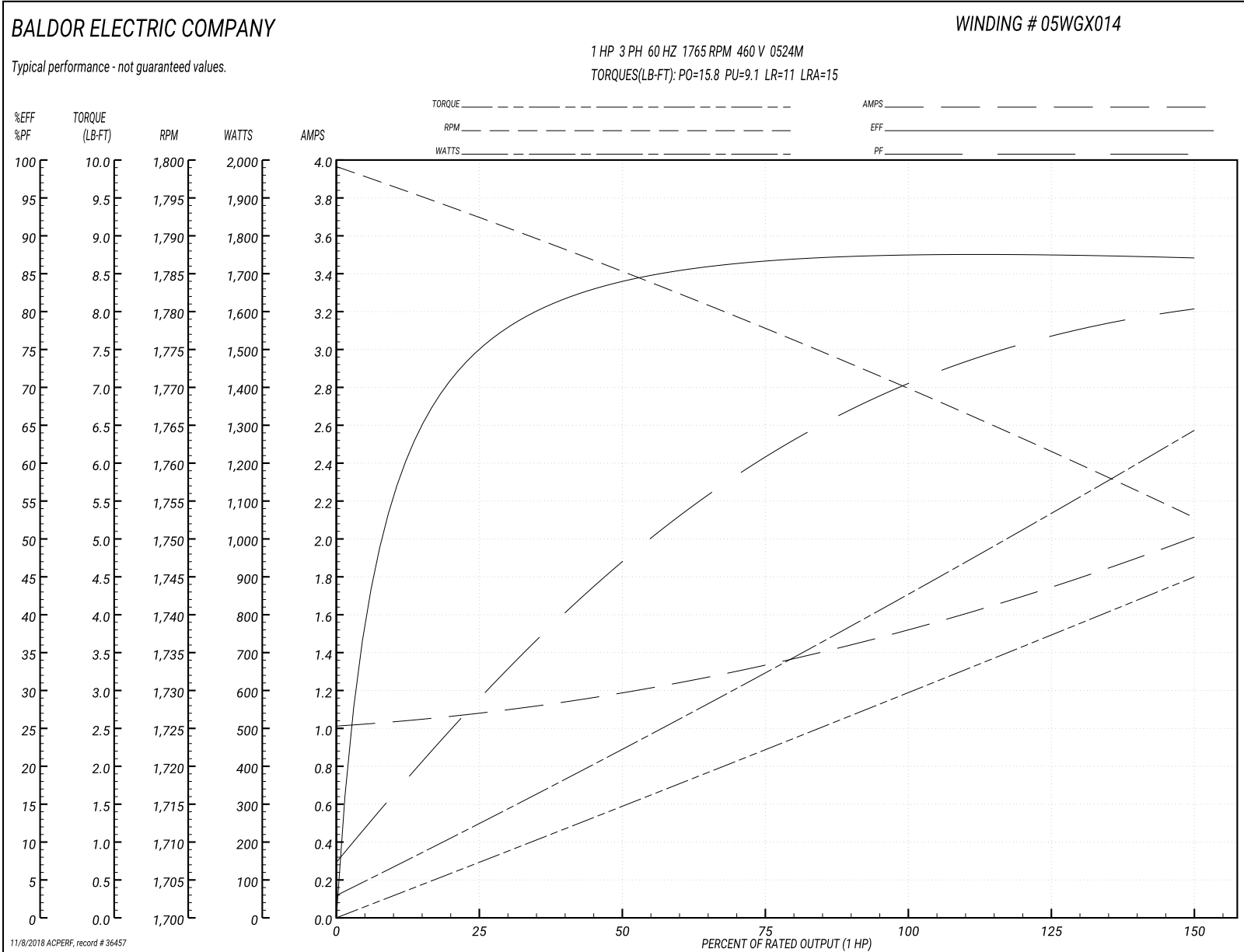
Winding: 05WGX014-R006	Type: 0524M	Enclosure: TENV
-------------------------------	--------------------	------------------------

Nameplate Data				460 V, 60 Hz: High Voltage Connection	
Rated Output (HP)	1			Full Load Torque	2.99 LB-FT
Volts	230/460			Start Configuration	direct on line
Full Load Amps	3/1.5			Breakdown Torque	15.8 LB-FT
R.P.M.	1765			Pull-up Torque	9.1 LB-FT
Hz	60	Phase	3	Locked-rotor Torque	11 LB-FT
NEMA Design Code	B	KVA Code	N	Starting Current	15 A
Service Factor (S.F.)	1			No-load Current	1.02 A
NEMA Nom. Eff.	87.5	Power Factor	70	Line-line Res. @ 25°C	12 Ω
Rating - Duty	40C AMB-CONT			Temp. Rise @ Rated Load	21°C

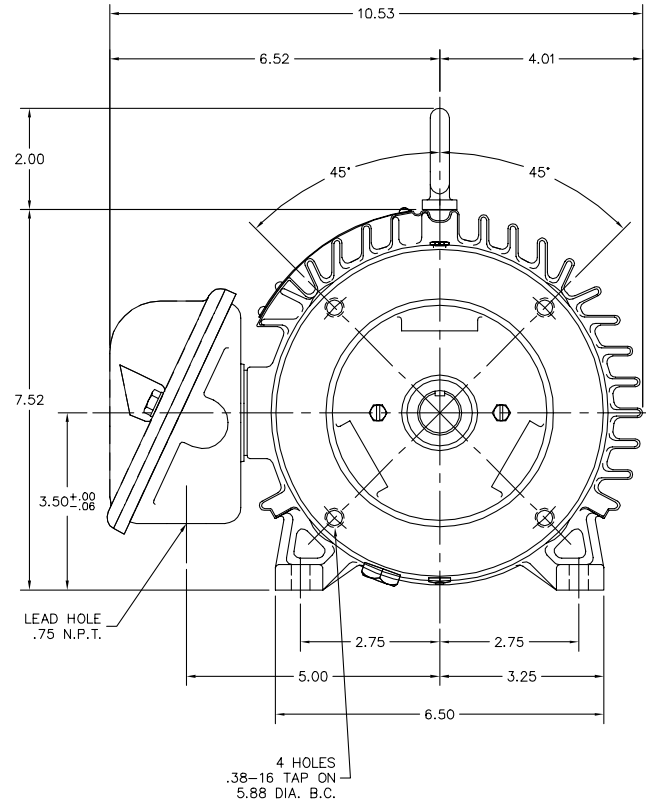
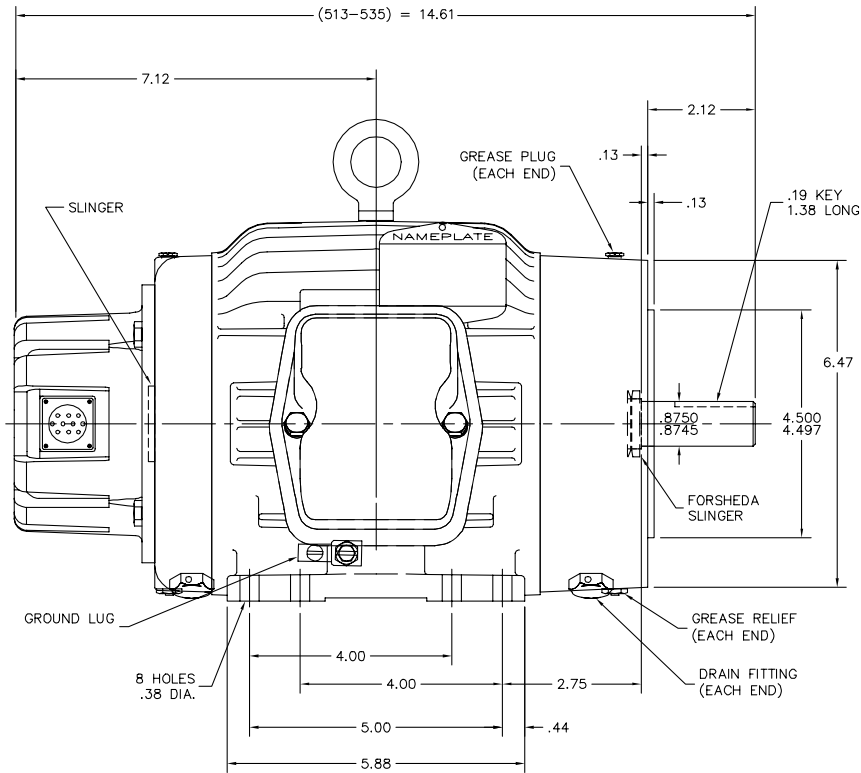
Load Characteristics 460 V, 60 Hz, 1 HP

% of Rated Load	25	50	75	100	125	150
Power Factor	28	48	60	70	76	81
Efficiency	74.2	83.6	86.7	87.9	87.4	87.1
Speed	1793	1785	1778	1770	1761	1753
Line amperes	1.07	1.18	1.33	1.53	1.76	2

Performance Graph at 460V, 60Hz, 1.0HP Typical performance - Not guaranteed values



05LYF205

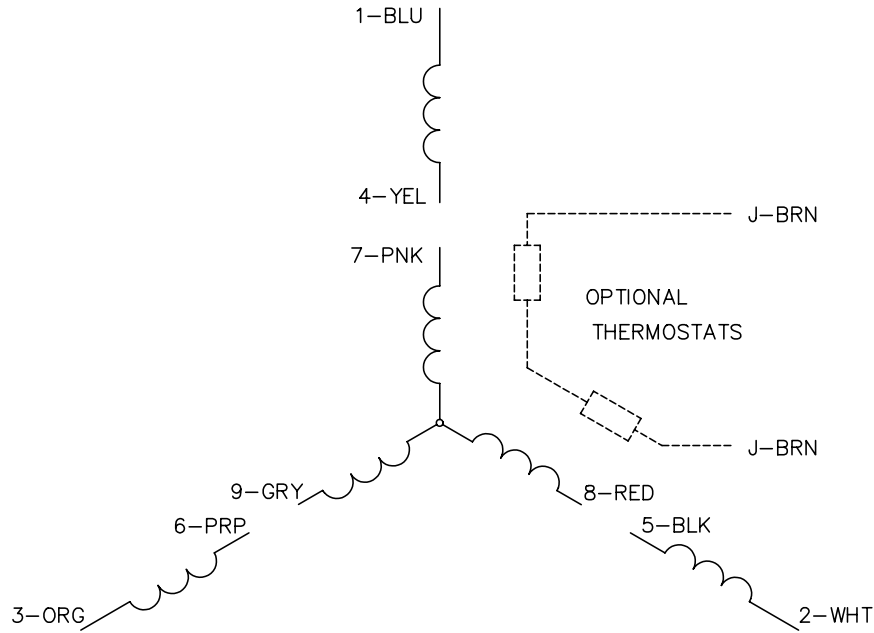


05LYF205

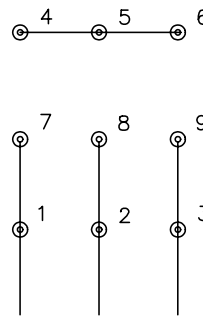
CUSTOMER IS RESPONSIBLE FOR DETERMINING THAT BALDOR'S PRODUCT WILL PERFORM SUITABLY IN THE INTENDED APPLICATION.

REV. DESC: CHANGE GRD LUG CALL OUT		TDR: 000001009798		BALDOR HORZ 143-5TC TENV CP VECTOR W/ STD "BA" (THRU-SHAFT ENCODER) SH 1 of 1
REV. LTR: A	VERSION: 01			
FILE: \AAA\00154\613	REVISED: 12:07:34 12/27/2016	BY: USTRYAYI		
MTL: -				

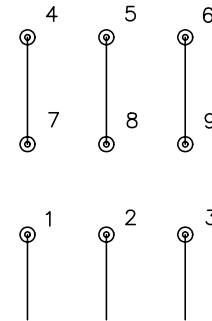
CD0005



LOW VOLTAGE
(2Y)



HIGH VOLTAGE
(1Y)



NOTES:

1. INTERCHANGE ANY TWO LINE LEADS TO REVERSE ROTATION.
2. OPTIONAL THERMOSTATS ARE PROVIDED WHEN SPECIFIED.
3. ACTUAL NUMBER OF INTERNAL PARALLEL CIRCUITS MAY BE A MULTIPLE OF THOSE SHOWN ABOVE.
4. LEAD COLORS ARE OPTIONAL. LEADS MUST ALWAYS BE NUMBERED AS SHOWN.

REV. DESC: REVISE TO SHOW OPTIONAL COLORS			
REV. LTR: E	BY: JLP	REVISED: 01/19/99 10:15	TDR: 0171435
90000		FILE: AAA00005140	MDL: -
		MTL: -	

BALDOR ELECTRIC Co.

3PH, DV, 9 LEADS

CD0005