

ARTIFICIAL LIFT SYSTEMS

4" ENERGY SERVICE SUBMERSIBLE MOTORS

Three-Phase 5-10 hp, 460/380 Volts - 60/50 Hz

Applications:

Franklin Electric's Energy Service motors are built for superior dependability in 4" diameter or larger well casing with little-to-no hydrocarbons and minimal abrasives. With electrically-reversible rotation, the motors are rated for continuous operation in 86 °F (30 °C) water at 1/4 ft. per second flow past the motor.

Features:

- Exclusive Sand Fighter™ sealing system
- Corrosion-resistant construction
- Stainless steel splined shaft
- Advanced Power-Dense 24-slot stator to maximize available horsepower per linear inch of motor length
- Hermetically-sealed windings
- Anti-track, self-healing resin system repairs minor shorts
- Water-lubricated bearings
- Filter check valve
- Kingsbury-type thrust bearing rated for 1,500 lbs. downthrust
- Pressure-equalizing diaphragm
- Removable Water-Bloc™ lead (sold separately)
- NEMA pump mounting dimensions
- UL 778 recognized
- CSA C22.2 #108 certified

4" ENERGY SERVICE SUBMERSIBLE MOTORS

Model Availability

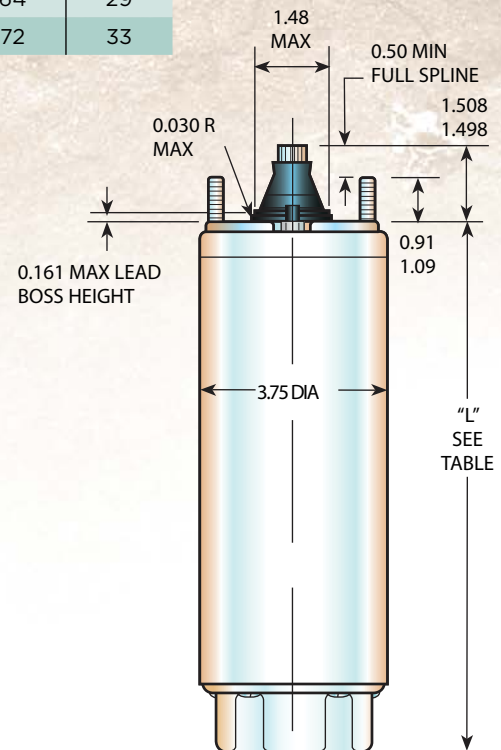
Three-Phase 5-10 hp, 460/380 Volts - 60/50 Hz

Three-Phase								
Order No.	HP	KW	Nominal Amps (A)		Length (L)		Shipping Weight	
			@ 50 Hz	@ 60 Hz	In	mm	lbs	kg
2347278801G	5	3.7	8.9	8.6	22.49	571	50	23
2347288801G	7.5	5.5	12.9	12.4	27.41	696	64	29
2347298801G	10	7.5	17.3	16.5	30.48	774	72	33

Note: 60 Hz - 3,450 RPM and 50 Hz - 2,875 RPM

Materials of Construction

Component	Material
Top Casting	316 Stainless Steel
Bottom Casting	303 Stainless Steel Over Cast Iron
Stator Shell	301 Stainless Steel
Stator Ends	Low Carbon Steel
Shaft Extensions	17-4 Stainless Steel
Fasteners	300 Series Stainless Steel
Seal Cover	Sintered Bronze
Seal	SiC/SiC Mechanical Seal
Diaphragm	FPM/FKM
Diaphragm Cup	316 Stainless Steel
Diaphragm Spring	316 Stainless Steel
Diaphragm Cover	304 Stainless Steel
Slinger	FPM/FKM
Lead Wire (or Cable)	Not Included
Filter	316 Stainless Steel Plug



USA - Artificial Lift

Franklin Electric - Headquarters
9255 Coverdale Road
Fort Wayne, IN 46809
Tel: 1.888.885.9248

China - Artificial Lift

Franklin Electric - Shanghai
Unit 1002-03 Shanghai Centra Plaza
No 227, Huang Pi Bei Road
Shanghai, 200003, CHINA
Tel: 86-21-6327-0909

Franklin Electric - South Africa

Franklin Electric (Pty) Ltd.
13 Engwena Road
Sebenza
Edenvale 1610
Republic of South Africa

PO Box 8136
Edenglen
1613
Republic of South Africa

E-mail: info@franklin-electric.co.za
Tel: +27 11 723 6500
Fax: +27 11 609 2417

Australia - Artificial Lift

Franklin Electric (Australia) Pty. Ltd.
106 - 110 Micro Circuit
Dandenong South, Victoria 3175
Australia
Tel: +61.3.9799.5000

Australasia Sales Office - Artificial Lift

Level 19, 10 Eagle St., Brisbane, QLD 4000
Australia
Tel: +61 (0) 7 3303 0104



Franklin Electric
www.franklin-energy.com

ARTIFICIAL LIFT
SYSTEMS

AL-0004 5-20