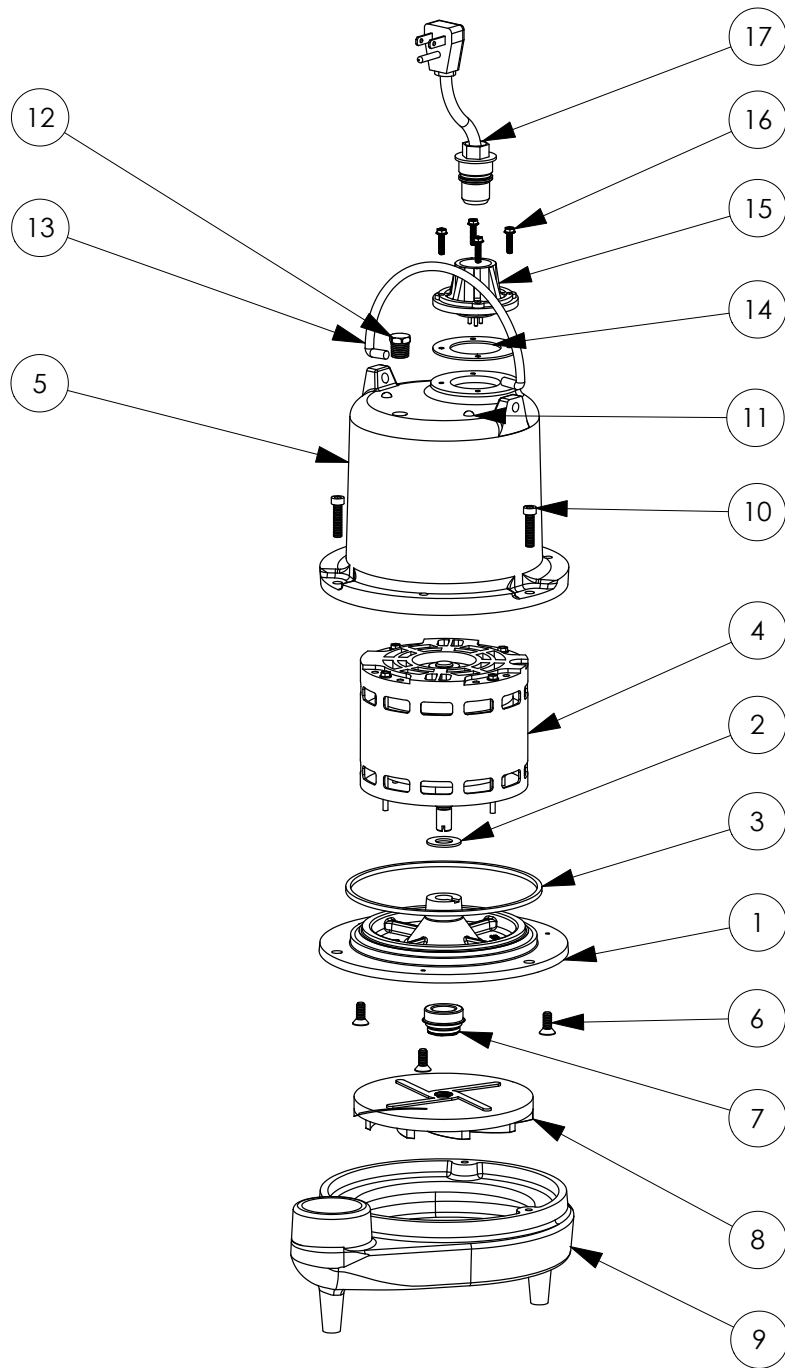


FL31M

FL31M (B20)



FL31M**FL31M (B20)**

#	PART #	DESCRIPTION	QTY	Note
1	5052000	MOTOR SUPPORT PLATE	1	
2	5395000	THRUST WASHER	1	
3	5066000	SEALRING, MOTOR COVER, #254S	1	[1]
4	5176000	MOTOR ASSEMBLY, .5HP	1	
5	53500AR	MOTOR CAP	1	
6	8018000	1/4-20 x 5/8 SLOTTED FLAT HEAD BOLT	3	
7	50980A0	1/2 INCH UNITIZED SEAL	1	[1]
8	K001036	IMPELLER	1	
9	500100R	HOUSING, VOLUTE	1	
10	8091000	1/4-20 x 1 HEX SOCKET HEAD BOLT	3	
11	8033000	#8 x 1/4 STAINLESS STEEL SCREW	2	
12	5071000	BRASS OIL PLUG	1	
13	K001095	STAINLESS STEEL HANDLE	1	
14	5060000	CORD PLATE GASKET	1	
15	5014000	CORD PLATE	1	
16	8064000	#8-32 x 5/8 HEX WASHER HEAD SCREW	4	
17	K001010	POWER CORD, 115V, 10 FOOT CORD	1	

PART NOTES:

[1] - Part requires factory authorized service. Contact Liberty Pumps at 1-800-543-2550