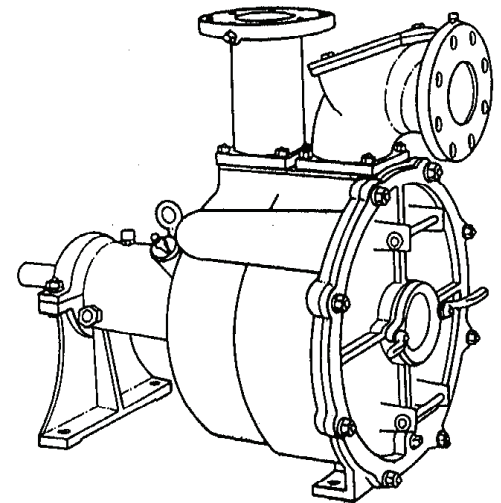


Self-Priming Solids Handling Pumps

Specifications:

SUCTION/DISCHARGE4" (76mm) x 4" (102mm) 125 lb. Flange
LIQUID TEMPERATURE160°F (71°C) Continuous
VOLUTE/WEARPLATECast Iron ASTM A-48, Class 30
 Replaceable External Clearance Adjustment
CASE.....Cast Iron ASTM A-48, Class 30
END COVERCast Iron ASTM A-48, Class 30
 Full Diameter, Removable
SEAL PLATEAlloy Steel, Replaceable
PEDESTAL.....Cast Iron ASTM A-48, Class 30
IMPELLER: DesignTwo Vane, Open. Dynamically Balanced,
 ISO G6.3
MaterialDuctile Iron ASTM A-395
SHAFTHigh Carbon Steel
SHAFT SLEEVE316 Stainless Steel
SQUARE RINGSBuna-N
HARDWARECorrosion Resistant Steel
PAINTAir Dry Enamel.
SEAL: *Design*Single Mechanical
LubricationGrease, with Self-Feeding Lubricator
MaterialRotating Faces - Carbon
 Stationary Faces - Ceramic
 Elastomer - Buna-N
 Hardware -300 Series Stainless
BEARING - PUMP END:
DesignSingle Row, Ball, Oil Lubricated
LoadRadial & Thrust
BEARING - DRIVE END:
DesignSingle Row, Ball, Oil Lubricated
Load.....Radial & Thrust
CHECK VALVE:
MaterialElbow - Cast Iron ASTM A-48, Class 30
 Valve Flap - Neoprene
 Weight - Cast Iron ASTM A-48, Class 30
OPTIONAL EQUIPMENT.....Seal Materials, Case Heater, Stainless
 Hardware; Double Mechanical Seal, Oil Lubricated w/Pressure Compensating
 Lubricator; High Temperature Control; Flex Coupled Assy. with Base &
 OSHA Guard; Right Hand V-Belt Drive Assy. and Left Hand V-Belt Drive
 Assy., In-Line Vertical V-Belt Drive Assy., with Unit Base, Motor Adjusting
 Base & OSHA Guard



Model: PO4LC-10L
PO4LC-10D
PO4LC-9L
PO4LC-9D

Sample Specifications: Section 4 Page 7-8.

DESCRIPTION:

SELF-PRIMING CENTRIFUGAL SOLIDS
 HANDLING PUMPS DESIGNED FOR
 MUNICIPAL AND INDUSTRIAL APPLICATIONS.



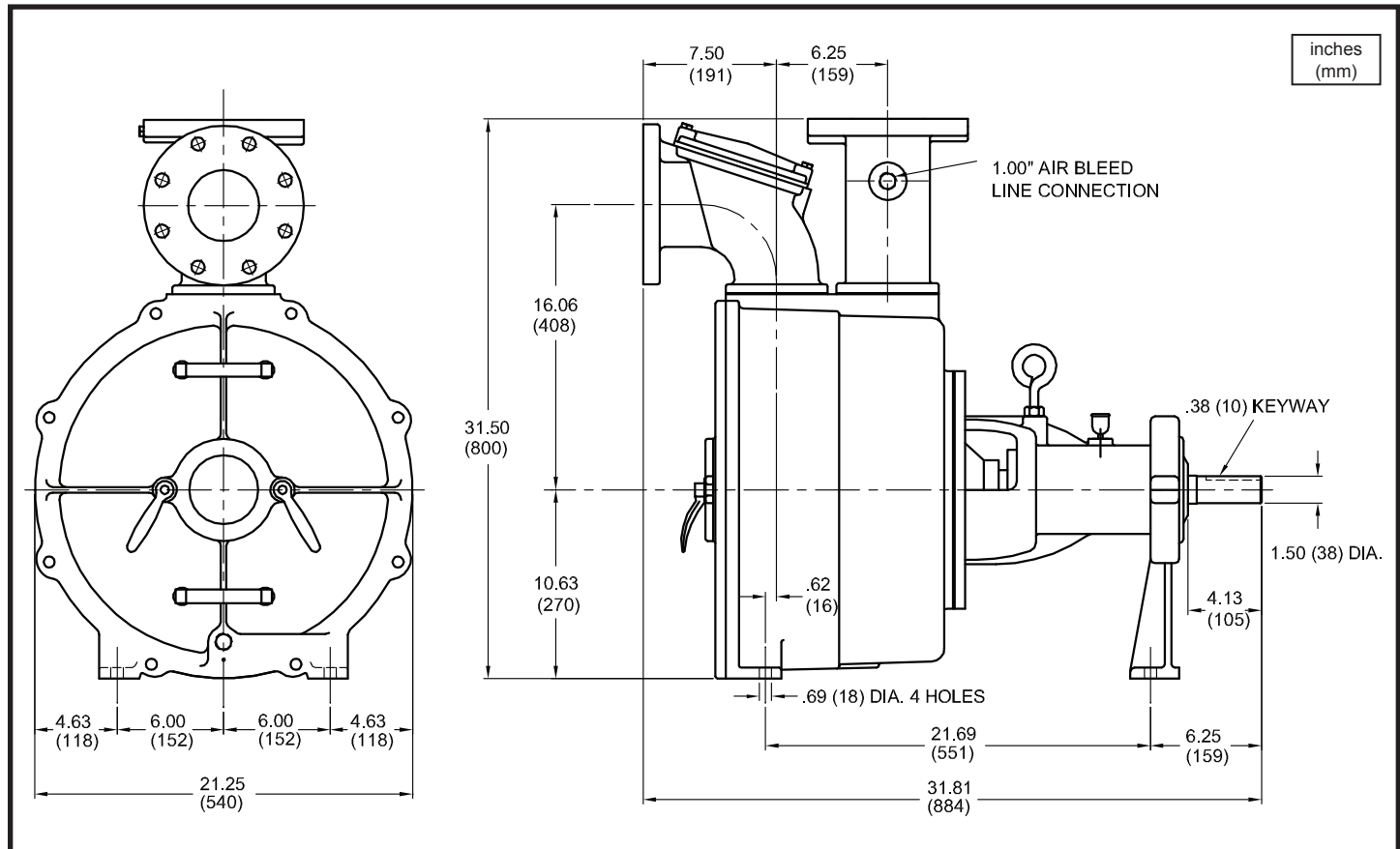
WARNING:
 CANCER AND REPRODUCTIVE HARM -
 WWW.P65WARNINGS.CA.GOV

Model: PO4LC

3" Spherical Solids Handling
Universal Drive



Self-Priming Solids Handling Pumps



| MODEL NO | PART NO | WEIGHT LBS. (kg) | |
|-----------|-----------------|---------------------|--|
| PO4LC-10L | 4C07D-0010L-031 | 540 (245) | |
| PO4LC-10D | 4C07D-0010D-031 | 540 (245) | |
| PO4LC-9L | 4C07D-0009L-031 | 540 (245) | |
| PO4LC-9D | 4C07D-0009D-031 | 540 (245) | |

IMPORTANT !

- DO NOT USE FOR PUMPING FLUIDS WITH A FLASH POINT OF LESS THAN 100°F.
- MAKE CERTAIN THAT PUMP AND/OR MOTOR ASSEMBLY AND CONTROLS HAVE THE APPROPRIATE RATINGS FOR THE GIVEN APPLICATION AREA CLASSIFICATION. (ie DIVISION I, AGENCY LISTING ETC.)

SECTION 4A
PAGE 22
DATE 8/12

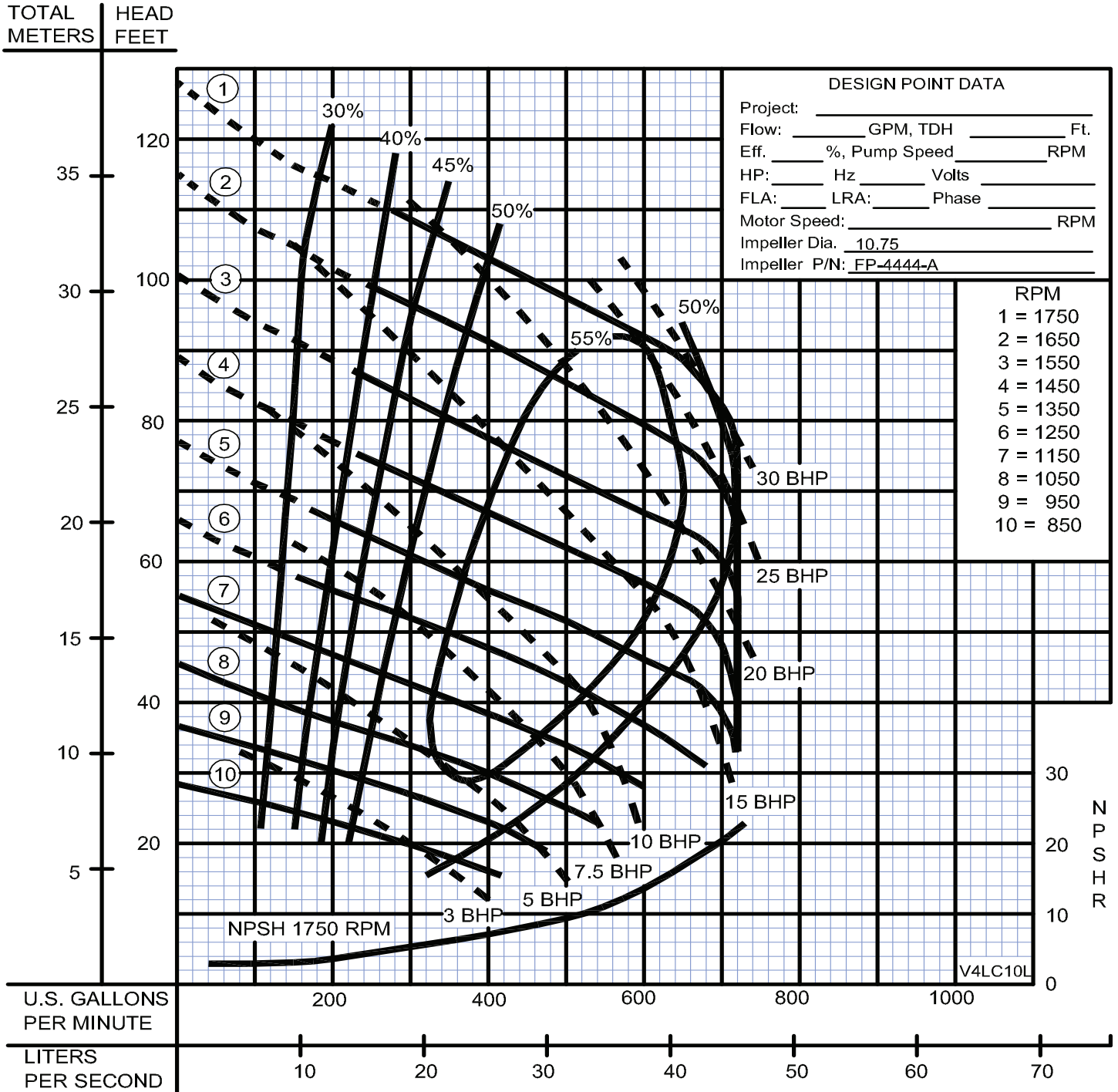


A Crane Co. Company

PUMPS & SYSTEMS

USA: (937) 778-8947 • Canada: (905) 457-6223 • International: (937) 615-3598

Self-Priming Solids Handling Pumps



| MAXIMUM DRY PRIMING LIFT | | | | | |
|--------------------------|--------|--------|--------|--------|--------|
| PUMP SPEED | 2 Min | 4 Min | 6 Min | 8 Min | 10 Min |
| 850 RPM | 4 Ft. | 8 Ft. | 11 Ft. | 14 Ft. | 15 Ft. |
| 1150 RPM | 11 Ft. | 15 Ft. | 16 Ft. | 17 Ft. | 17 Ft. |
| 1450 RPM | 11 Ft. | 15 Ft. | 16 Ft. | 17 Ft. | 17 Ft. |
| 1750 RPM | 25 Ft. | 25 Ft. | 25 Ft. | 25 Ft. | 25 Ft. |

When pump is operating, the **SUCTION LIFT** is limited by the available **NPSH** which is the corrected atmospheric pressure minus the dynamic suction lift, vapor pressure loss and 2 foot safety factor. This **net available NPSH** must exceed the **required NPSH** of the pump or a reduction of capacity, loss of efficiency, noise, vibration and cavitation will result. Calculate the dynamic suction lift from the **low** liquid level to the centerline of the impeller. When pump is priming, it is limited by the dry **PRIMING LIFT** which is the vertical distance from the **high** liquid level to the centerline of the impeller.

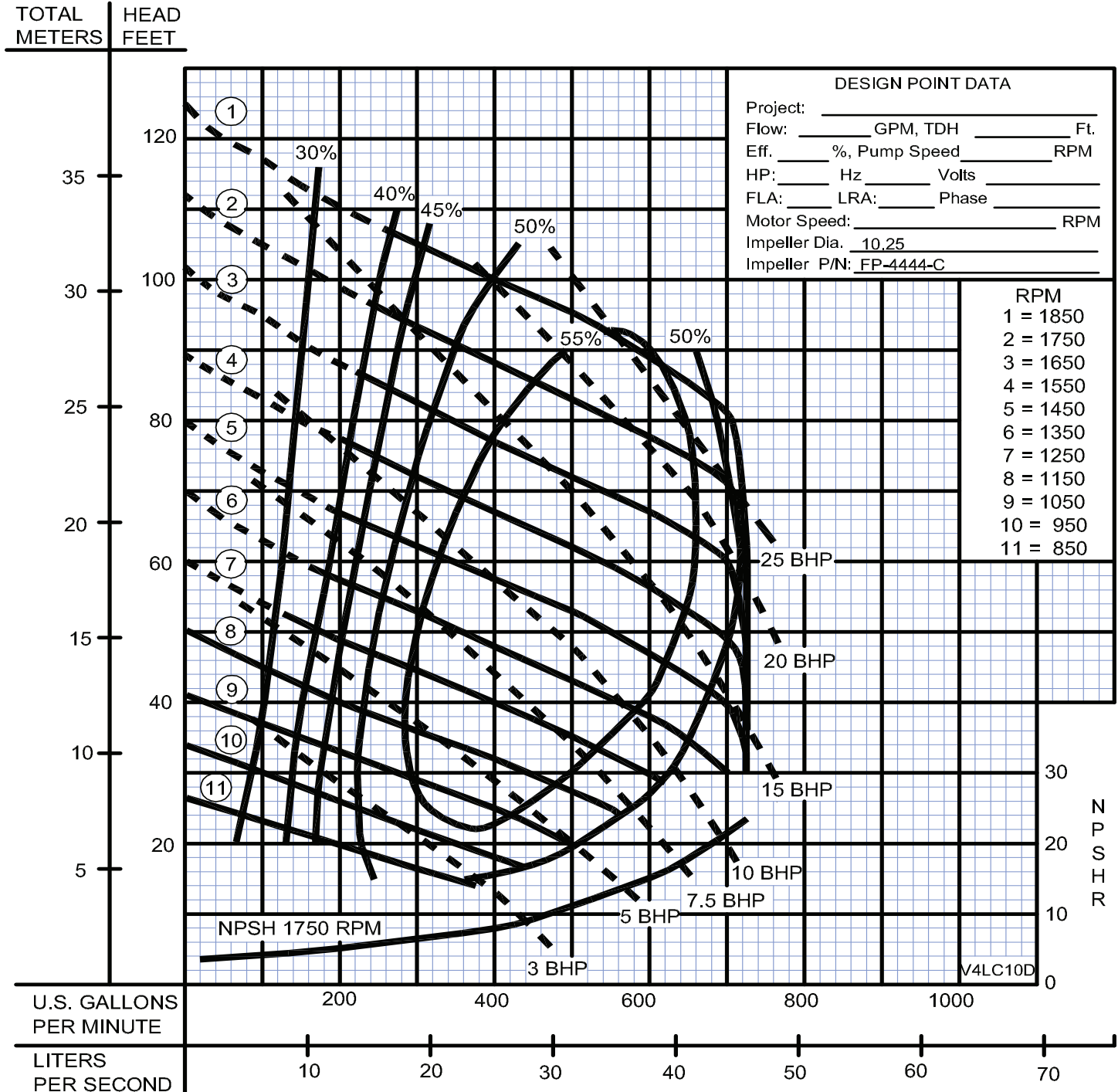
DO NOT Operate in "DASHED" Area of HQ Curve. Testing is performed with water, specific gravity 1.0 @ 68° F @ (20°C), other fluids may vary performance

Model: PO4LC-10D

Performance Curve
Various RPM



Self-Priming Solids Handling Pumps



| MAXIMUM DRY PRIMING LIFT | | | | | |
|--------------------------|--------|--------|--------|--------|--------|
| PUMP SPEED | 2 Min | 4 Min | 6 Min | 8 Min | 10 Min |
| 850 RPM | 4 Ft. | 7 Ft. | 11 Ft. | 12 Ft. | 15 Ft. |
| 1150 RPM | 11 Ft. | 16 Ft. | 17 Ft. | 18 Ft. | 19 Ft. |
| 1450 RPM | 11 Ft. | 16 Ft. | 17 Ft. | 18 Ft. | 19 Ft. |
| 1750 RPM | 21 Ft. | 25 Ft. | 25 Ft. | 25 Ft. | 25 Ft. |
| 1850 RPM | 25 Ft. | 25 Ft. | 25 Ft. | 25 Ft. | 25 Ft. |

When pump is operating, the **SUCTION LIFT** is limited by the available **NPSH** which is the corrected atmospheric pressure minus the dynamic suction lift, vapor pressure loss and 2 foot safety factor. This **net available NPSH** must exceed the **required NPSH** of the pump or a reduction of capacity, loss of efficiency, noise, vibration and cavitation will result. Calculate the dynamic suction lift from the **low** liquid level to the centerline of the impeller. When pump is priming, it is limited by the dry **PRIMING LIFT** which is the vertical distance from the **high** liquid level to the centerline of the impeller.

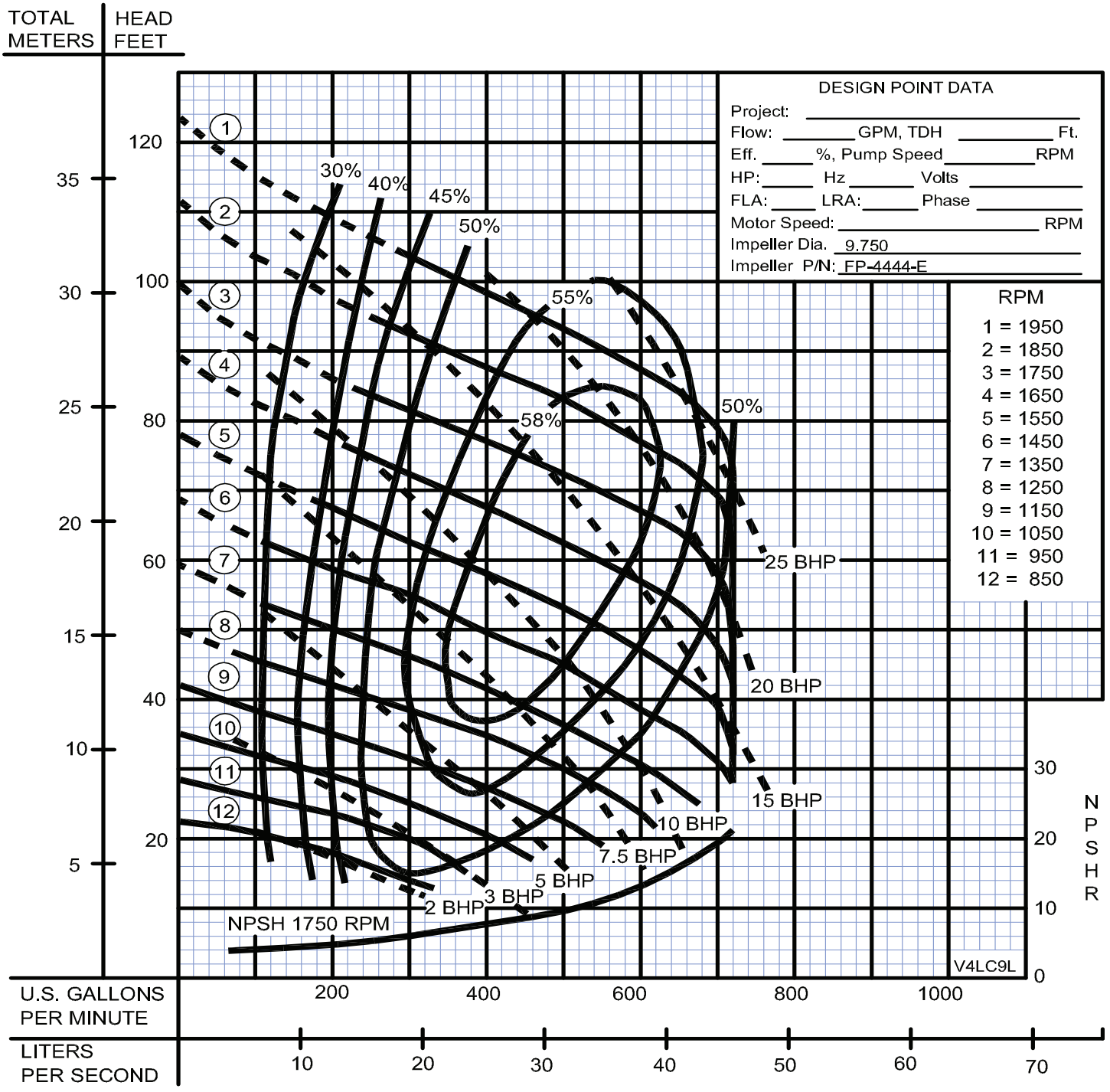
DO NOT Operate in "DASHED" Area of HQ Curve. Testing is performed with water, specific gravity 1.0 @ 68° F @ (20°C), other fluids may vary performance

SECTION 4A
PAGE 24
DATE 4/05



PUMPS & SYSTEMS

Self-Priming Solids Handling Pumps



| MAXIMUM DRY PRIMING LIFT | | | | | |
|--------------------------|--------|--------|--------|--------|--------|
| PUMP SPEED | 2 Min | 4 Min | 6 Min | 8 Min | 10 Min |
| 850 RPM | 3 Ft. | 6 Ft. | 9 Ft. | 10 Ft. | 11 Ft. |
| 1150 RPM | 12 Ft. | 17 Ft. | 13 Ft. | 22 Ft. | 23 Ft. |
| 1450 RPM | 11 Ft. | 18 Ft. | 18 Ft. | 25 Ft. | 25 Ft. |
| 1750 RPM | 19 Ft. | 25 Ft. | 21 Ft. | 25 Ft. | 25 Ft. |
| 1950 RPM | 25 Ft. | 25 Ft. | 25 Ft. | 25 Ft. | 25 Ft. |

When pump is operating, the **SUCTION LIFT** is limited by the available **NPSH** which is the corrected atmospheric pressure minus the dynamic suction lift, vapor pressure loss and 2 foot safety factor. This **net available NPSH** must exceed the **required NPSH** of the pump or a reduction of capacity, loss of efficiency, noise, vibration and cavitation will result. Calculate the dynamic suction lift from the **low** liquid level to the centerline of the impeller. When pump is priming, it is limited by the dry **PRIMING LIFT** which is the vertical distance from the **high** liquid level to the centerline of the impeller.

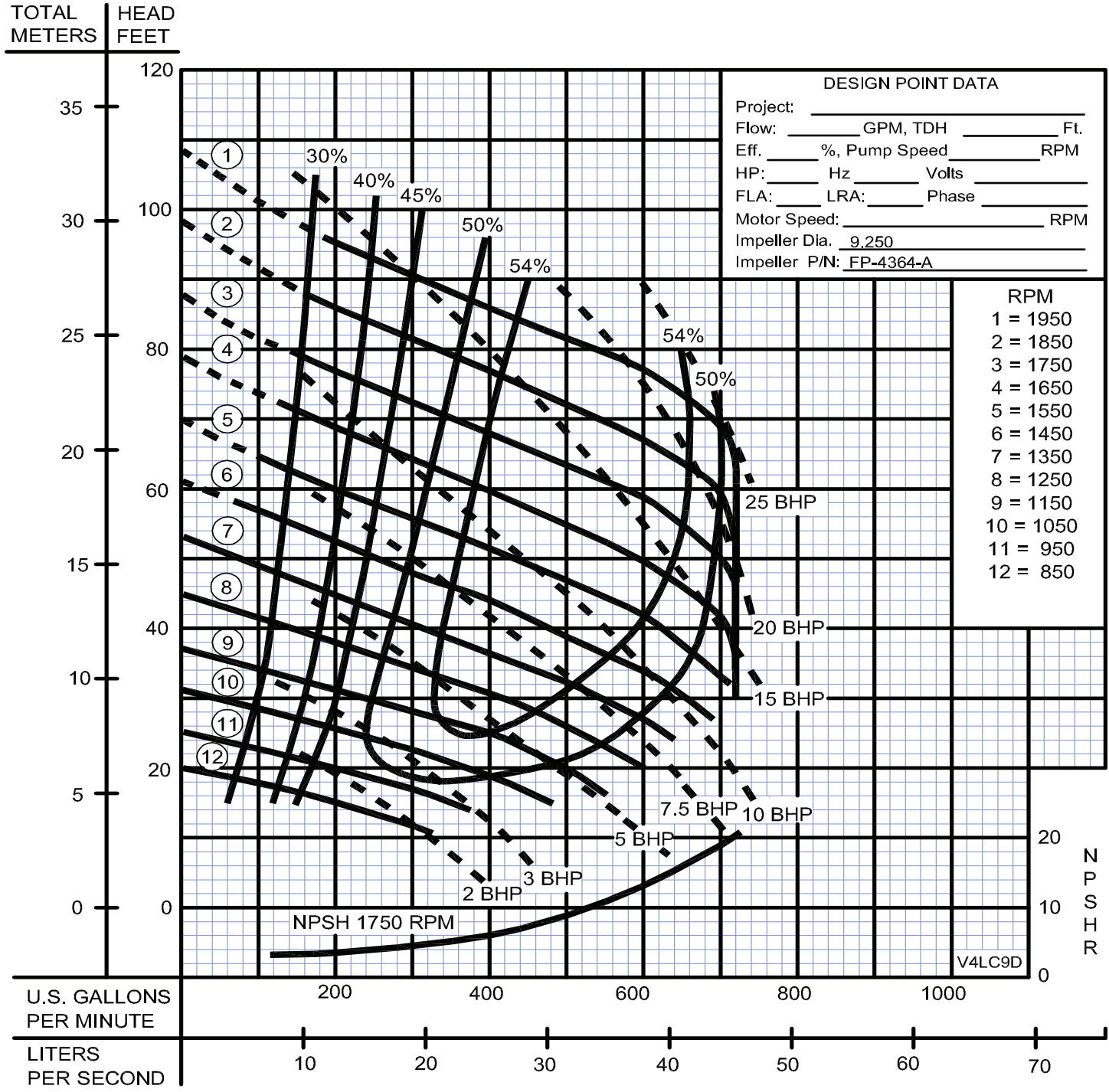
DO NOT Operate in "DASHED" Area of HQ Curve. Testing is performed with water, specific gravity 1.0 @ 68° F @ (20°C), other fluids may vary performance

Model: PO4LC-9D

Performance Curve
Various RPM



Self-Priming Solids Handling Pumps



| MAXIMUM DRY PRIMING LIFT | | | | | |
|--------------------------|--------|--------|--------|--------|--------|
| PUMP SPEED | 2 Min | 4 Min | 6 Min | 8 Min | 10 Min |
| 850 RPM | 3 Ft. | 6 Ft. | 9 Ft. | 10 Ft. | 11 Ft. |
| 1150 RPM | 8 Ft. | 15 Ft. | 19 Ft. | 21 Ft. | 23 Ft. |
| 1450 RPM | 13 Ft. | 21 Ft. | 25 Ft. | 25 Ft. | 25 Ft. |
| 1750 RPM | 21 Ft. | 25 Ft. | 25 Ft. | 25 Ft. | 25 Ft. |
| 1950 RPM | 25 Ft. | 25 Ft. | 25 Ft. | 25 Ft. | 25 Ft. |

When pump is operating, the **SUCTION LIFT** is limited by the available **NPSH** which is the corrected atmospheric pressure minus the dynamic suction lift, vapor pressure loss and 2 foot safety factor. This **net available NPSH** must exceed the **required NPSH** of the pump or a reduction of capacity, loss of efficiency, noise, vibration and cavitation will result. Calculate the dynamic suction lift from the **low** liquid level to the centerline of the impeller. When pump is priming, it is limited by the dry **PRIMING LIFT** which is the vertical distance from the **high** liquid level to the centerline of the impeller.

DO NOT Operate in "DASHED" Area of HQ Curve. Testing is performed with water, specific gravity 1.0 @ 68° F @ (20°C), other fluids may vary performance

SECTION 4A
PAGE 26
DATE 4/05



PUMPS & SYSTEMS

A Crane Co. Company

USA: (937) 778-8947 • Canada: (905) 457-6223 • International: (937) 615-3598



Model: P04LC

Horizontal V-Belt Base, Motor Speed: 1750 RPM
V-Belt Drive, Sheaves & Bushings, Pump Shaft: 1.50 Dia.

Self-Priming Solids Handling Pumps

| Driven Speed | Speed Ratio | Motor HP | Frame Size | Center Distance | Drive P/N | | Driven Speed | Speed Ratio | Motor HP | Frame Size | Center Distance | Drive P/N |
|--------------|-------------|----------|------------|-----------------|-----------|--|--------------|-------------|----------|------------|-----------------|-----------|
| 1950 | 1.11 | 30 | 286T | 24.6 | 090963 | | 1350 | 1.30 | 10 | 215T | 24.5 | 091006 |
| 1950 | 1.11 | 25 | 284T | 24.6 | 090963 | | 1350 | 1.30 | 7.5 | 213-215T | 24.5 | 091007 |
| 1950 | 1.11 | 20 | 256T | 24.6 | 090964 | | 1350 | 1.30 | 5 | 213T | 24.5 | 091007 |
| 1950 | 1.11 | 15 | 254T | 25.2 | 090965 | | 1350 | 1.30 | 5 | 184T | 24.5 | 091008 |
| 1900 | 1.09 | 30 | 286T | 25.3 | 090966 | | 1300 | 1.34 | 10 | 215T | 25.2 | 091009 |
| 1900 | 1.09 | 25 | 284T | 25.3 | 090966 | | 1300 | 1.34 | 7.5 | 213-215T | 25.2 | 091009 |
| 1900 | 1.09 | 20 | 256T | 26.3 | 090967 | | 1300 | 1.34 | 5 | 213T | 25.2 | 091010 |
| 1900 | 1.09 | 15 | 254T | 25.7 | 090968 | | 1300 | 1.34 | 5 | 184T | 25.2 | 091011 |
| 1900 | 1.09 | 10 | 215T | 25.7 | 090969 | | | | | | | |
| | | | | | | | 1250 | 1.40 | 10 | 215T | 24.1 | 091012 |
| 1850 | 1.06 | 25 | 284T | 25.0 | 090970 | | 1250 | 1.40 | 7.5 | 213-215T | 24.1 | 091013 |
| 1850 | 1.06 | 20 | 256T | 25.0 | 090971 | | 1250 | 1.40 | 5 | 213T | 24.1 | 091013 |
| 1850 | 1.06 | 15 | 254T | 25.0 | 090972 | | 1250 | 1.40 | 5 | 184T | 24.1 | 091014 |
| 1850 | 1.06 | 10 | 215T | 25.0 | 090973 | | | | | | | |
| | | | | | | | 1200 | 1.46 | 7.5 | 213-215T | 24.3 | 091015 |
| 1800 | 1.03 | 25 | 284T | 25.7 | 090974 | | 1200 | 1.46 | 5 | 213T | 25.5 | 091016 |
| 1800 | 1.03 | 20 | 256T | 25.7 | 090975 | | 1200 | 1.46 | 5 | 184T | 25.5 | 091017 |
| 1800 | 1.03 | 15 | 254T | 25.8 | 090976 | | 1200 | 1.46 | 3 | 182-184T | 25.5 | 091018 |
| 1800 | 1.03 | 10 | 215T | 25.8 | 090977 | | | | | | | |
| | | | | | | | 1150 | 1.52 | 7.5 | 213-215T | 25.3 | 091019 |
| 1750 | 1.00 | 25 | 284T | 24.1 | 090978 | | 1150 | 1.52 | 5 | 213T | 25.3 | 091020 |
| 1750 | 1.00 | 20 | 256T | 24.1 | 090979 | | 1150 | 1.52 | 5 | 184T | 25.3 | 091021 |
| 1750 | 1.00 | 15 | 254T | 24.1 | 090980 | | 1150 | 1.52 | 3 | 182-184T | 25.3 | 091022 |
| 1750 | 1.00 | 10 | 215T | 24.1 | 090981 | | | | | | | |
| | | | | | | | 1100 | 1.59 | 7.5 | 213-215T | 24.7 | 091023 |
| 1700 | 1.03 | 20 | 256T | 25.7 | 090982 | | 1100 | 1.59 | 5 | 213T | 24.7 | 091024 |
| 1700 | 1.03 | 15 | 254T | 25.8 | 090983 | | 1100 | 1.59 | 5 | 184T | 24.7 | 091025 |
| 1700 | 1.03 | 10 | 215T | 25.8 | 090984 | | 1100 | 1.59 | 3 | 182-184T | 24.7 | 091026 |
| 1700 | 1.03 | 7.5 | 213-215T | 25.8 | 090984 | | | | | | | |
| | | | | | | | 1050 | 1.66 | 5 | 213T | 25.9 | 091027 |
| 1650 | 1.06 | 20 | 256T | 25.0 | 090985 | | 1050 | 1.66 | 5 | 184T | 25.9 | 091028 |
| 1650 | 1.06 | 15 | 254T | 25.0 | 090986 | | 1050 | 1.66 | 3 | 182-184T | 25.9 | 091028 |
| 1650 | 1.06 | 10 | 215T | 25.0 | 090987 | | | | | | | |
| 1650 | 1.06 | 7.5 | 213-215T | 25.0 | 090987 | | 1000 | 1.75 | 5 | 213T | 25.6 | 091029 |
| | | | | | | | 1000 | 1.75 | 5 | 184T | 25.6 | 091030 |
| 1600 | 1.09 | 20 | 256T | 25.7 | 090988 | | 1000 | 1.75 | 3 | 182-184T | 25.6 | 091031 |
| 1600 | 1.09 | 15 | 254T | 25.7 | 090989 | | 1000 | 1.75 | 2 | 182T | 25.6 | 091031 |
| 1600 | 1.09 | 10 | 215T | 25.7 | 090990 | | 1000 | 1.75 | 2 | 145T | 25.6 | 091032 |
| 1600 | 1.09 | 7.5 | 213-215T | 25.7 | 090990 | | | | | | | |
| | | | | | | | 950 | 1.84 | 5 | 213T | 25.7 | 091033 |
| 1550 | 1.13 | 15 | 254T | 25.4 | 090991 | | 950 | 1.84 | 5 | 184T | 25.7 | 091034 |
| 1550 | 1.13 | 10 | 215T | 25.4 | 090992 | | 950 | 1.84 | 3 | 182-184T | 25.7 | 091035 |
| 1550 | 1.13 | 7.5 | 213-215T | 24.6 | 090993 | | 950 | 1.84 | 2 | 182T | 25.7 | 091035 |
| | | | | | | | 950 | 1.84 | 2 | 145T | 25.7 | 091036 |
| | | | | | | | | | | | | |
| 1500 | 1.16 | 15 | 254T | 24.0 | 090994 | | | | | | | |
| 1500 | 1.16 | 10 | 215T | 24.0 | 090995 | | 900 | 1.94 | 3 | 182-184T | 24.3 | 091037 |
| 1500 | 1.16 | 7.5 | 213-215T | 24.0 | 090996 | | 900 | 1.94 | 2 | 182T | 24.3 | 091038 |
| 1500 | 1.16 | 5 | 213T | 24.0 | 090996 | | 900 | 1.94 | 2 | 145T | 24.3 | 091039 |
| 1500 | 1.16 | 5 | 184T | 24.0 | 090997 | | | | | | | |
| | | | | | | | | | | | | |
| 1450 | 1.20 | 15 | 254T | 24.9 | 090998 | | 850 | 2.06 | 3 | 182-184T | 25.9 | 091040 |
| 1450 | 1.20 | 10 | 215T | 24.9 | 090999 | | 850 | 2.06 | 2 | 182T | 25.9 | 091041 |
| 1450 | 1.20 | 7.5 | 213-215T | 24.9 | 091000 | | 850 | 2.06 | 2 | 145T | 25.9 | 091042 |
| 1450 | 1.20 | 5 | 213T | 24.9 | 091000 | | | | | | | |
| 1450 | 1.20 | 5 | 184T | 24.9 | 091001 | | | | | | | |
| | | | | | | | | | | | | |
| 1400 | 1.25 | 15 | 254T | 24.2 | 091002 | | | | | | | |
| 1400 | 1.25 | 10 | 215T | 25.6 | 091003 | | | | | | | |
| 1400 | 1.25 | 7.5 | 213-215T | 25.6 | 091003 | | | | | | | |
| 1400 | 1.25 | 5 | 213T | 25.6 | 091004 | | | | | | | |
| 1400 | 1.25 | 5 | 184T | 25.6 | 091005 | | | | | | | |



PUMPS & SYSTEMS

SECTION 4A
PAGE 27
DATE 4/05