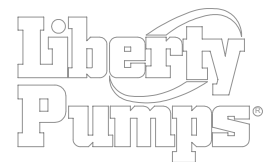
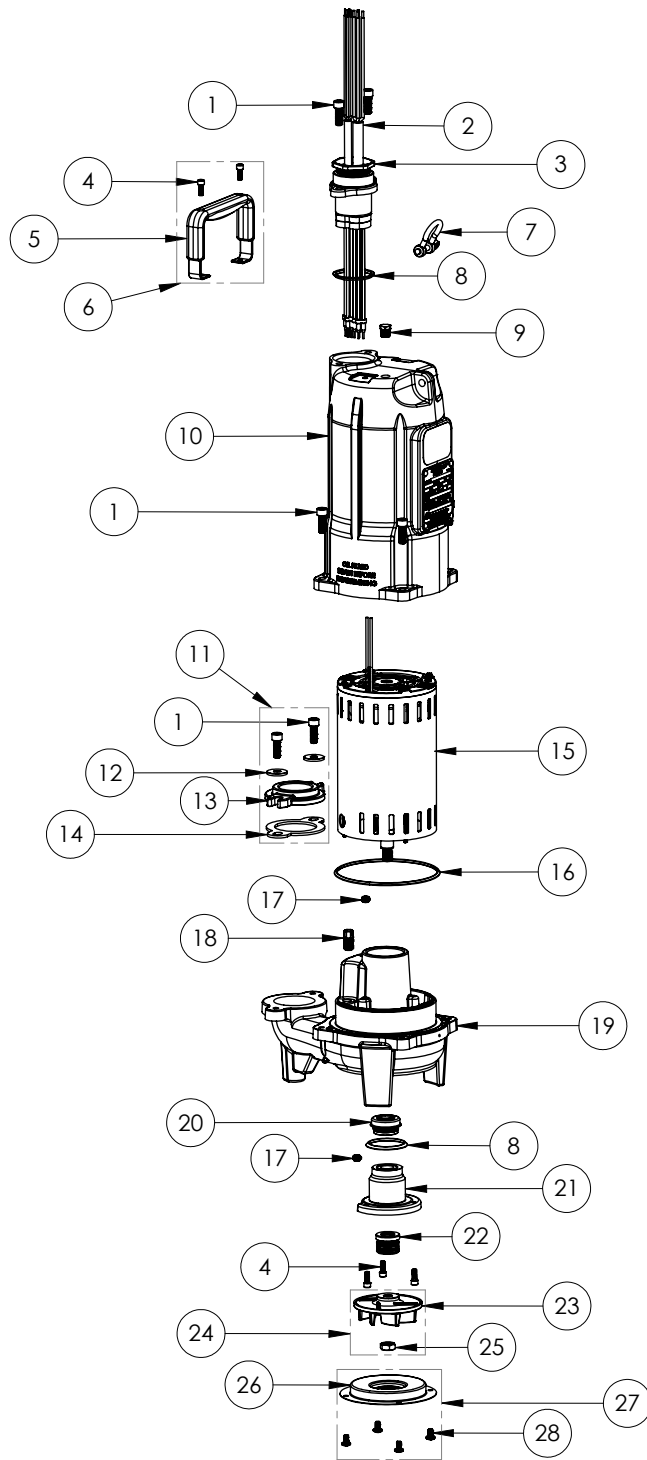


XFL52M-2 (B90)



XFL52M-2**XFL52M-2 (B90)**

| # | PART # | DESCRIPTION | QTY | Note |
|----|---------|--|-----|------|
| 1 | 5862000 | BOLT, 3/8-16X1 SHCS SS | 8 | |
| 2 | 34740D0 | CORD CAP 25' WITH JUMPER, 4 CONDUCTOR | 1 | [1] |
| 3 | 3467000 | 1-1/2" NPT THREADED BUSHING | 1 | [1] |
| 4 | 8103000 | SCREW 1/4-20x5/8" HX SKT SS | 5 | |
| 5 | 3411200 | HANDLE | 1 | |
| 6 | K001681 | HANDLE KIT WITH BOLTS | 1 | |
| 7 | K001680 | SHACKLE KIT | 1 | |
| 8 | 3428000 | O-RING ASTM 568A- 226 | 2 | |
| 9 | 50710A0 | PIPE PLUG, 1/4" HEX HD BRASS NPTF | 1 | |
| 10 | 341600R | HOUSING XFL/XLE PAINTED | 1 | [1] |
| 11 | K001421 | 1.5" DISCHARGE ADAPTER, INCLUDES HARDWARE AND GASKET | 1 | |
| 12 | 8158000 | WASHER, 3/8 x 1-1/8, SS | 2 | |
| 13 | 586100R | 1.5" ADAPTER FLANGE | 1 | |
| 14 | 5858000 | 1.5" FLANGE GASKET | 1 | |
| 15 | 34220B0 | MOTOR, 2 POLE 208/230V 1PH 60HZ | 1 | [2] |
| 16 | 3403000 | O-RING | 1 | |
| 17 | 34470A0 | 1/8" STAINLESS STEEL OIL PLUG 18-8 | 2 | |
| 18 | 3450000 | SEAL FAIL PROBE BODY | 1 | |
| 19 | 341500R | XFL VOLUTE PAINTED | 1 | [1] |
| 20 | 5633000 | 3/4" UNITIZED SHAFT SEAL | 1 | [3] |
| 21 | 3427000 | SEAL PLATE WITH BUSHING | 1 | [1] |
| 22 | 3429000 | SEAL TYPE 2100 18MM | 1 | [1] |
| 23 | 34200B0 | FLX50 IMPELLER | 1 | |
| 24 | K001684 | XFL50 IMPELLER KIT WITH 1/2" NUT | 1 | |
| 25 | 8046000 | 1/2-20 HEX STAINLESS STEEL JAM NUT | 1 | |
| 26 | 2902000 | STAMPING, INLET | 1 | |
| 27 | K001683 | INLET PLATE KIT WITH 1/4" SCREWS | 1 | |
| 28 | 3470000 | 1/4-20X7/16 PPHMS 18-8 | 4 | |

PART NOTES:

- [1] - WARNING! These motors are listed for application in Class 1, Division 1, Groups C D, EXPLOSION PROOF environments. The pump must be serviced at the factory or a qualified hazardous motor enclosure repair facility approved by Liberty Pumps. Any unauthorized field repairs voidswarranty and hazardous location ratings. Contact Liberty Pumps at 1-800-543-2550 to locate the closest repair facility.
- [2] - WARNING! These motors are listed for application in Class 1, Division 1, Groups C D, EXPLOSION PROOF environments. The pump must be serviced at the factory or a qualified hazardous motor enclosure repair facility approved be Liberty Pumps. Any unauthorized field repairs voidswarranty and hazardous location ratings. Contact Liberty Pumps at 1-800-543-2550 to locate the closest repair facility
- [3] - Part requires factory authorized service. Contact Liberty Pumps at 1-800-543-2550

WARNING! These motors are listed for application in Class 1, Division 1, Groups C D, EXPLOSION PROOF environments. The pump must be serviced at the factory or a qualified hazardous motor enclosure repair facility approved be Liberty Pumps. Any unauthorized field repairs voidswarranty and hazardous location ratings. Contact Liberty Pumps at 1-800-543-2550 to locate the closest repair facility