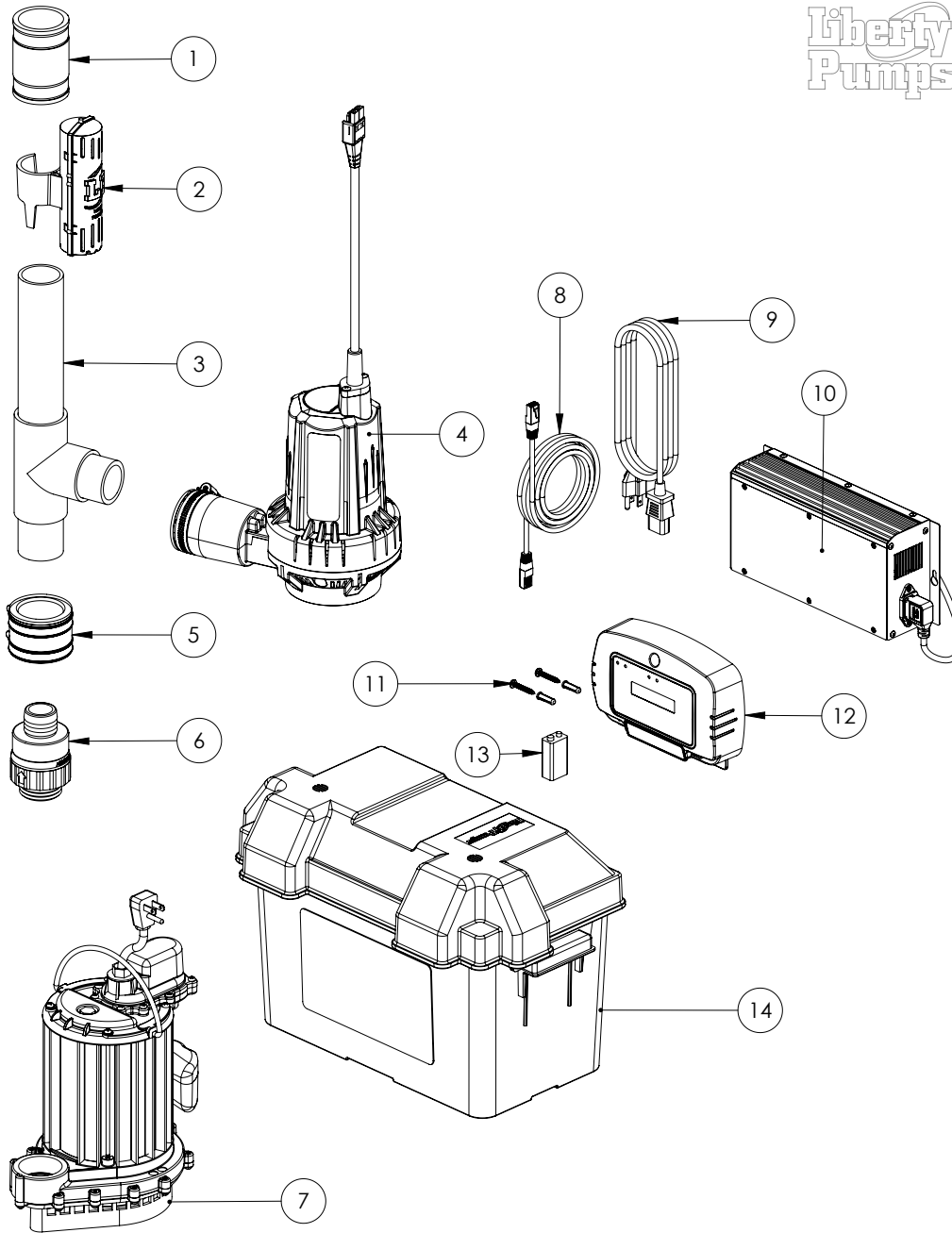


PC237-442-10A (B93)



PC237-442-10A (B93)

| # | PART # | DESCRIPTION | QTY | Note |
|----|------------|---|-----|------|
| 1 | 4424000 | 1-1/2" X 1-1/2" RUBBER COUPLING | 1 | |
| 2 | K001577 | DUAL REED SWITCH ASSEMBLY KIT | 1 | |
| 3 | 1099000 | GLUED TEE ASSEMBLY | 1 | |
| 4 | 442 | 12VDC BATTERY BACKUP PUMP STORM CELL | 1 | |
| 5 | 6706200 | PVC FLEXIBLE COUPLING ASSY | 1 | |
| 6 | CV150-125T | CHECK VALVE 1.5" THREAD, 1.25" BARB | 1 | |
| 7 | 237 | LIBERTY PUMPS 1/3HP, 115V VMF SUMP PUMP | 1 | |
| 8 | K001578 | 8FT ETHERNET CABLE | 1 | |
| 9 | K001579 | CHARGER POWER CORD | 1 | |
| 10 | K001580 | 10A CHARGER AND PWR CORD KIT | 1 | |
| 11 | 2119000 | FASTENER-ALM SERIES MOUNTING | 2 | |
| 12 | K001616 | INTERFACE, 442 CHARGER | 1 | |
| 13 | K001567 | KIT, BATTERY 9V, 625MAH | 1 | |
| 14 | K001574 | STORM CELL SINGLE BATTERY BOX | 1 | |