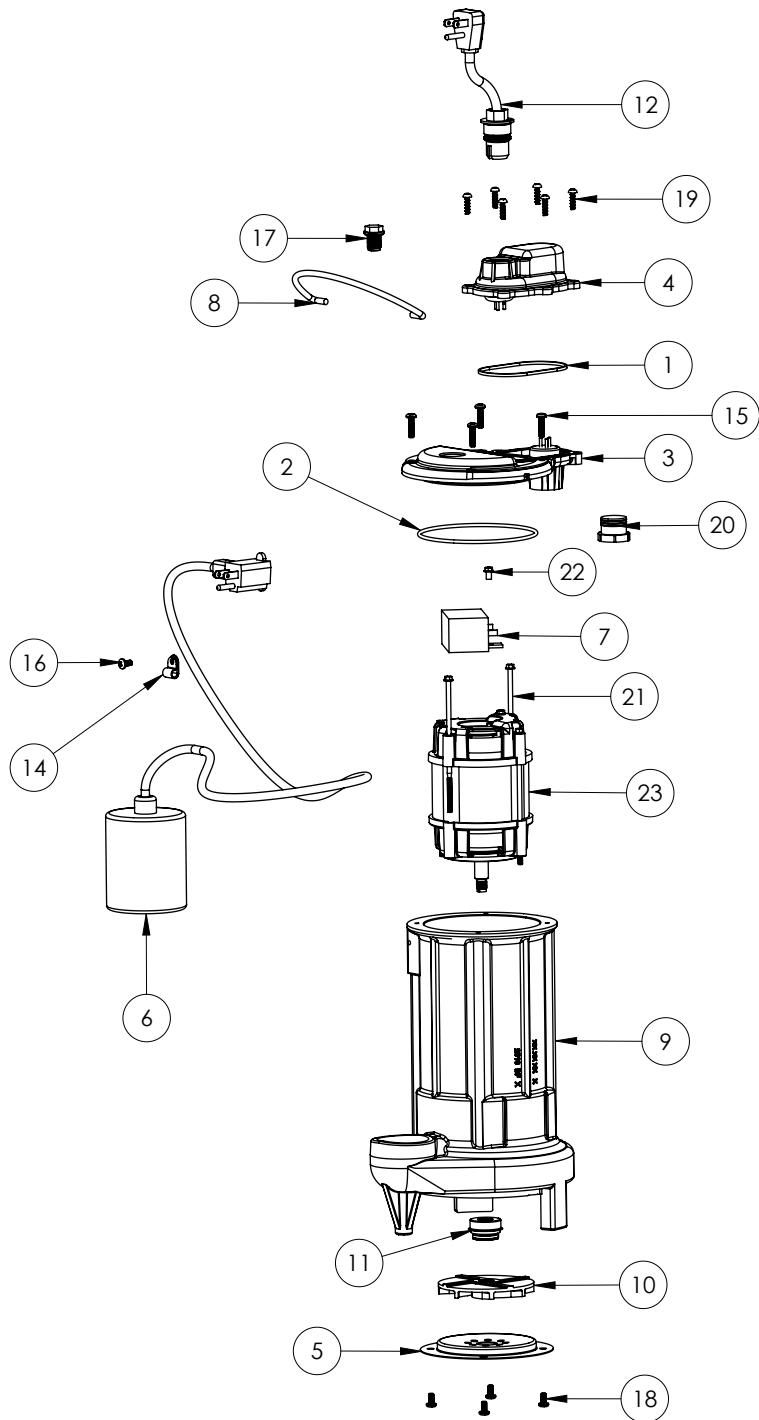


283-2 (B39)



283-2 (B39)

#	PART #	DESCRIPTION	QTY	Note
1	K001046	SEALRING, CHAMBER COVER	1	
2	2357000	O-RING	1	[1]
3	240600B	MOTOR COVER	1	
4	240700B	CHAMBER COVER	1	
5	2414000	280 SERIES STAMPING INLET	1	
6	K001004	61130B0, 25' PUMP SWITCH KIT	1	
7	K001305	CAPACITOR	1	
8	K001082	HANDLE	1	
9	25162CJ	HOUSING	1	[1]
10	K001091	280 SERIES IMPELLER KIT	1	
11	50980A0	1/2 INCH UNITIZED SEAL	1	[1]
12	K001008	POWER CORD, 115V, 25 FOOT CORD	1	
14	8014000	CABLE CLAMP	1	
15	8072000	#10 - 24 x 3/4" SCREW	4	
16	8082000	#10-24 x 3/8 EPOXY LOCK SCREW	1	
17	8089000	OIL PLUG, O-RING ASSEMBLY	1	
18	8092000	#10 - 24 x 3/8" SCREW	4	
19	8104200	#10 HILO X 5/8" STAINLESS STEEL SCREW	6	
20	8105000	PROTECTIVE CAP	1	
21	8150000	#8-32 x 4-7/8" SCREW	2	[1]
22	8160000	CAPACITOR SCREW	1	
23	2420200	2 POLE 115V MOTOR	1	[1]

PART NOTES:

[1] - Part requires factory authorized service. Contact Liberty Pumps at 1-800-543-2550