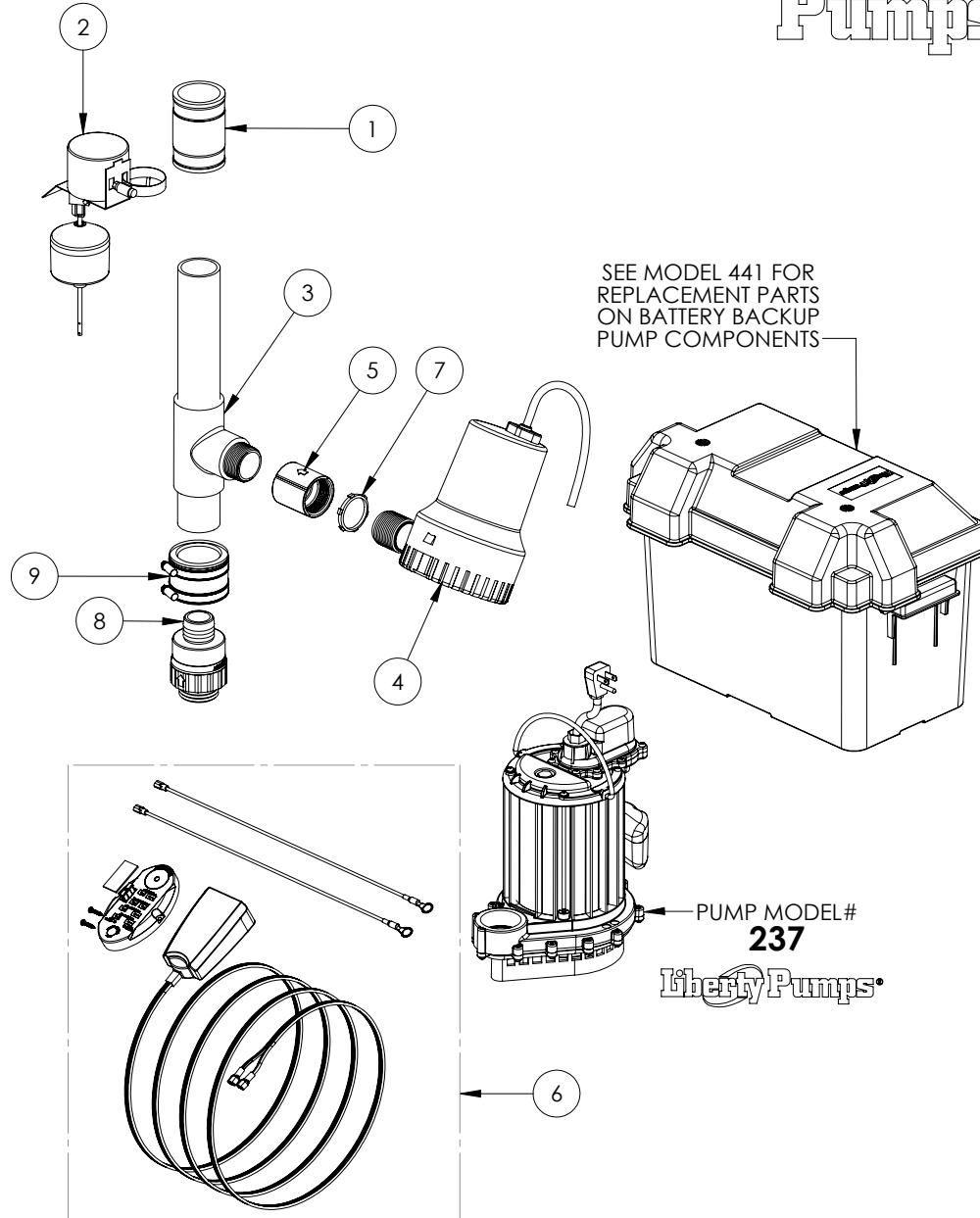
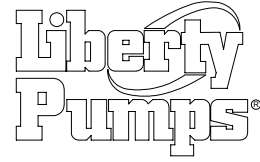


PC237-441 (B60)



PC237-441 (B60)

#	PART #	DESCRIPTION	QTY	Note
1	4424000	1-1/2" X 1-1/2" RUBBER COUPLING	1	
2	K001384	BATTERY BACKUP SWITCH	1	
3	4852000	PC GLUED PIPE ASSEMBLY, 1.5 TO 1.25 REDUCER TEE USED	1	
4	K001122	12V DC BATTERY PUMP	1	
5	K001096	CHECK VALVE	1	
6	K001098	CHARGER KIT	1	
7	81250C0	1 1/4" LOCKNUTS	2	
8	K001314	THREADED CHECK VALVE 1-1/2" NPT, 5695200	1	
9	6706200	PVC FLEXIBLE COUPLING ASSY	1	