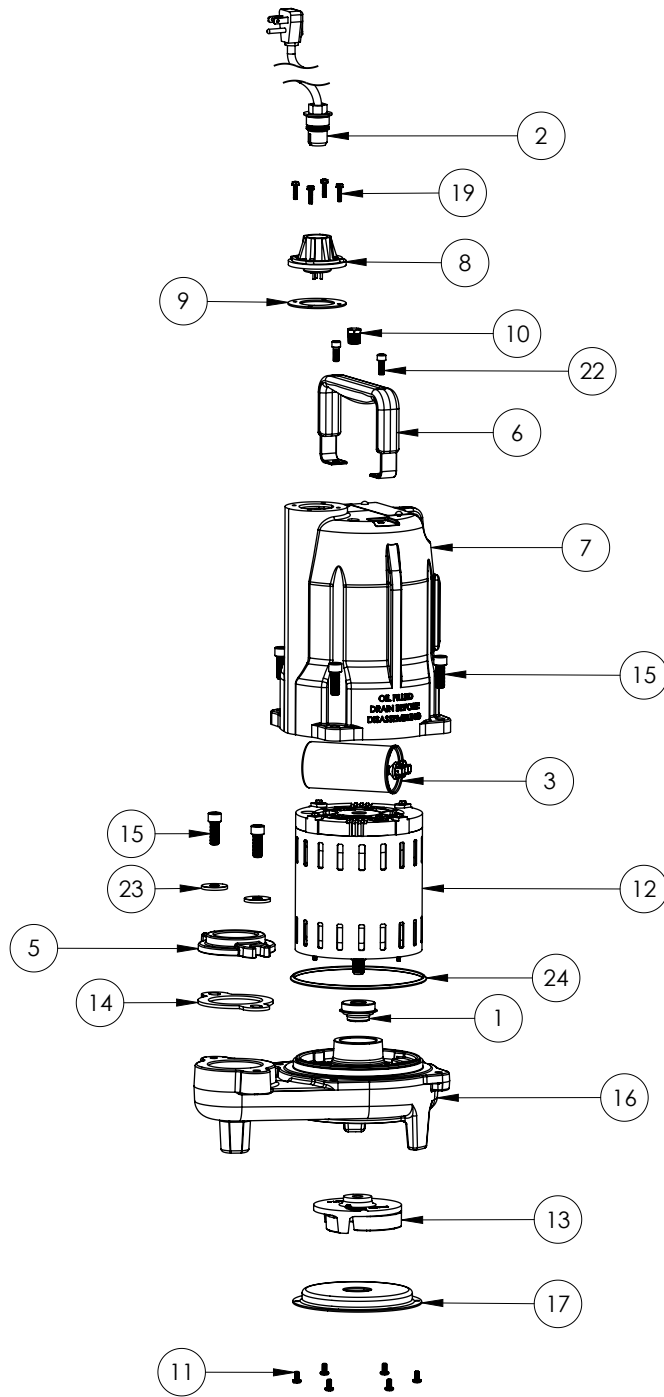


FL51M-2 (B78)



**FL51M-2****FL51M-2 (B78)**

| <b>#</b> | <b>PART #</b> | <b>DESCRIPTION</b>                             | <b>QTY</b> | <b>Note</b> |
|----------|---------------|--|------------|-------------|
| 1        | K001717       | KIT, 5/8 UNITIZED 5120000 AND LIP SEAL 5860000 | 1          |             |
| 2        | K001008       | POWER CORD, 115V, 25 FOOT CORD                 | 1          |             |
| 3        | 5019000       | CAPACITOR 45uF 370VAC                          | 1          |             |
| 5        | 586100R       | 1.5" ADAPTER FLANGE                            | 1          |             |
| 6        | 3411200       | HANDLE   | 1          |             |
| 7        | 340000R       | MOTOR HOUSING, POWDER COATED                   | 1          |             |
| 8        | 5014000       | CORD PLATE                                     | 1          |             |
| 9        | 5060000       | CORD PLATE GASKET                              | 1          |             |
| 10       | 5071000       | BRASS OIL PLUG                                 | 1          |             |
| 11       | 8092000       | #10 - 24 x 3/8" SCREW                          | 6          |             |
| 12       | 5366000       | MOTOR 115V 1PH                                 | 1          |             |
| 13       | 5833000       | IMPELLER                                       | 1          |             |
| 14       | 5858000       | 1.5" FLANGE GASKET                             | 1          |             |
| 15       | 5862000       | BOLT, 3/8-16X1 SHCS SS                         | 6          |             |
| 16       | K001408       | FL50/60/70 SERIES VOLUTE 588900R               | 1          |             |
| 17       | 5891000       | INLET STAMPING                                 | 1          |             |
| 19       | 8064000       | #8-32 x 5/8 HEX WASHER HEAD SCREW              | 4          |             |
| 22       | 8103000       | SCREW 1/4-20x5/8" HX SKT SS                    | 2          |             |
| 23       | 8158000       | WASHER, 3/8 x 1-1/8, SS                        | 2          |             |
| 24       | 3403000       | O-RING   | 1          |             |