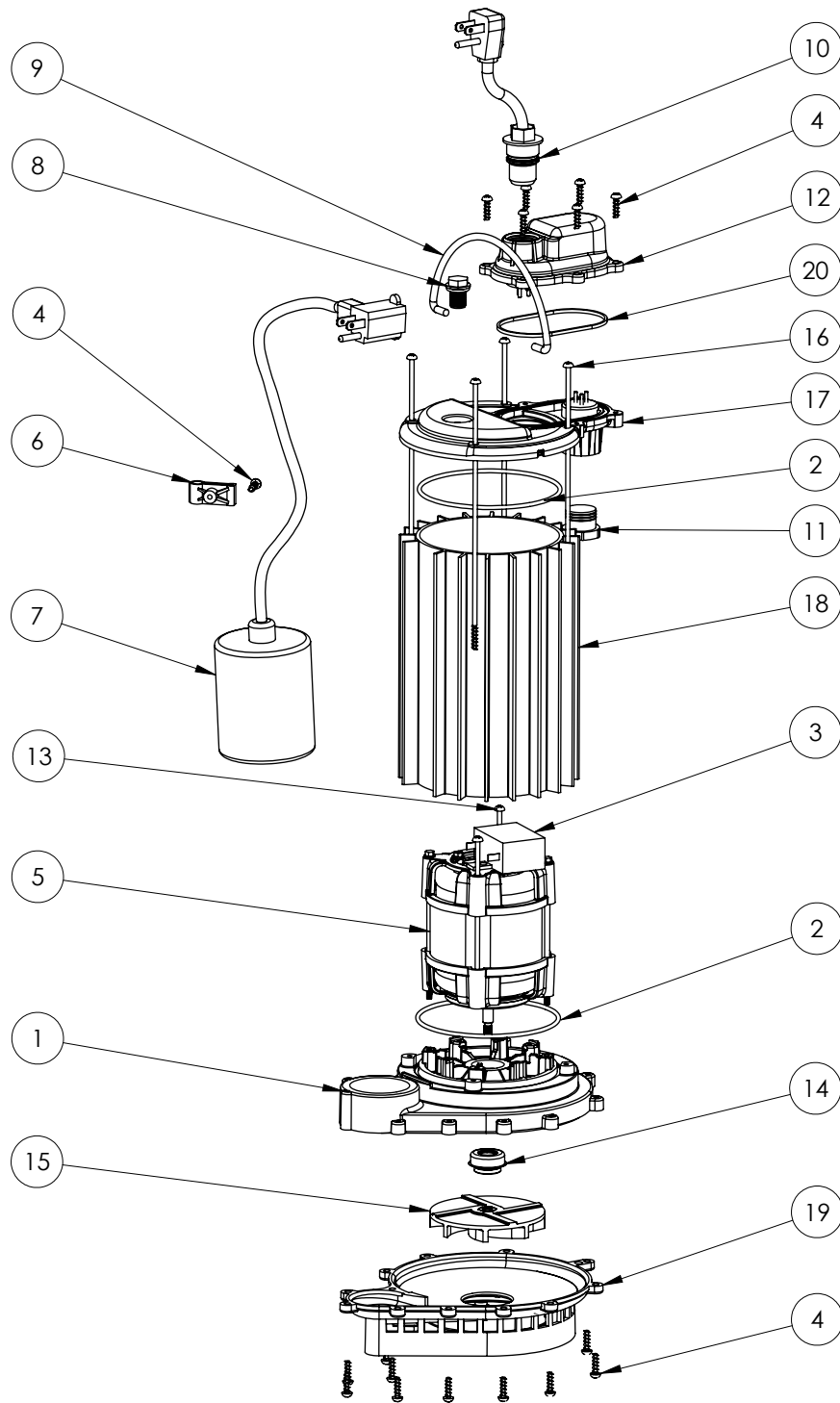


453 (B51)



453 (B51)

#	PART #	DESCRIPTION	QTY	Note
1	23310AB	MOTOR SUPPORT PLATE	1	[1]
2	2357000	O-RING	2	[1]
3	2453000	CAPACITOR	1	[1]
4	8104200	#10 HILO X 5/8" STAINLESS STEEL SCREW	20	
5	2418200	MOTOR	1	[1]
6	2319000	CLAMP, SWITCH CORD	1	
7	K001054	61130A0 PUMP SWITCH, 10' 115V	1	
8	8089000	OIL PLUG, O-RING ASSEMBLY	1	
9	K001082	HANDLE	1	
10	K001010	POWER CORD, 115V, 10 FOOT CORD	1	
11	8105000	PROTECTIVE CAP	1	
12	240700B	CHAMBER COVER	1	
13	8148000	#10 x 4-3/4" POLYFAST SCREW		
14	2309000	5/16 SHAFT SEAL	1	
15	K001168	IMPELLER		
16	8147000	#10 x 8.4" STAINLESS STEEL SCREW	4	
17	240600B	MOTOR COVER	1	
18	23070AS	MOTOR HOUSING	1	[1]
19	233600B	BASE WITH VOLUTE ASSEMBLY	1	
20	K001046	SEALRING, CHAMBER COVER	1	

PART NOTES:

[1] - Part requires factory authorized service. Contact Liberty Pumps at 1-800-543-2550