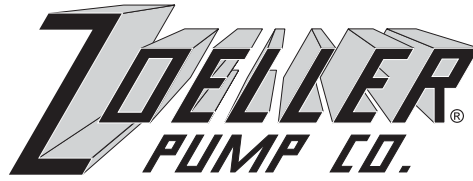


"QUALITY PUMPS SINCE 1939"



FM0935
0409
Supersedes
1004

Product information presented here reflects conditions at time of publication. Consult factory regarding discrepancies or inconsistencies.

MAIL TO: P.O. BOX 16347 • Louisville, KY 40256-0347
SHIP TO: 3649 Cane Run Road • Louisville, KY 40211-1961
(502) 778-2731 • 1 (800) 928-PUMP • FAX (502) 774-3624

visit our web site:
www.zoeller.com

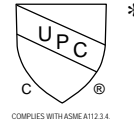


ENGINEERING SPECIFICATIONS SHEET DRAIN PUMP SERIES



APPLICATIONS:

- Laundry tray pump (will fit under a single or double tub).
- Wet bar sink.
- Lavatories.
- Air conditioning condensation removal.
- Residential dishwasher and garbage disposal removal.
- Dehumidifier water from areas where gravity flow is unsuitable without digging a sump.



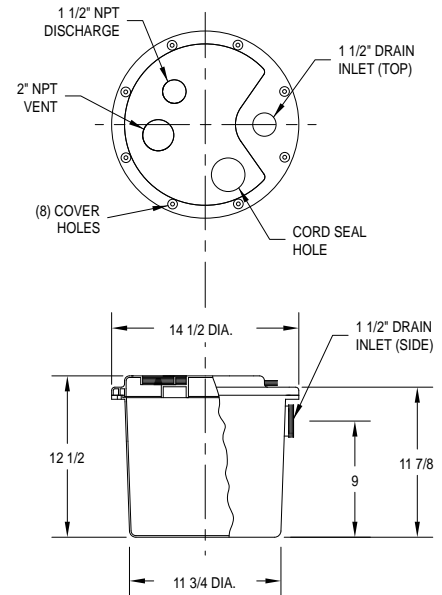
Tested to UL
Standard UL778

ENGINEERING SPECIFICATIONS OF SYSTEMS

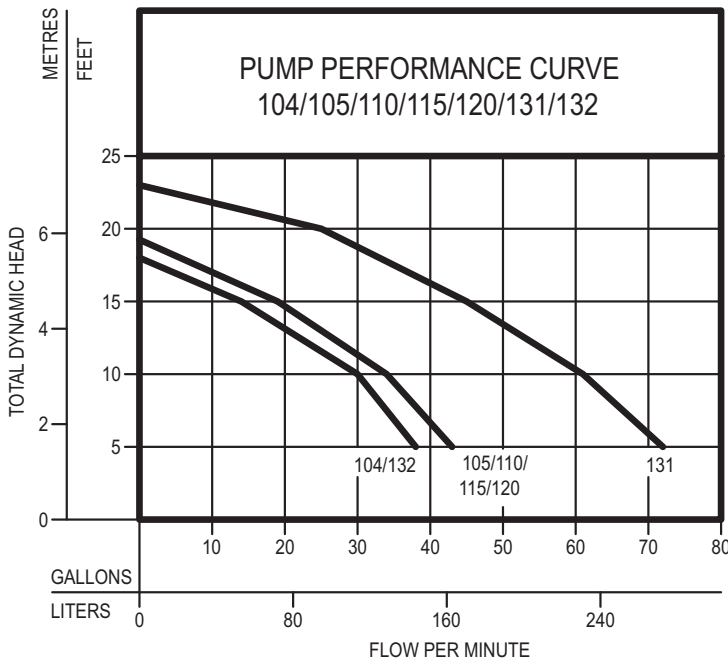
- Gas tight cover.
- Polypropylene tank construction.
- High capacity.

UNIQUE FEATURES:

- Passes lavatory lint (no strainer).
- May be installed with internal trap for space savings.
- Non-clogging vortex impeller.
- Brass or Cast Iron pumps available.
- 115 volts (only).
- Models 105 thru 131 are IAPMO Listed.



SK2012



DRAIN PUMP SERIES	MODEL PUMP WITH BASIN	SHIPPING WT.
104*	M72	16 lbs.
105	M53	30 lbs.
110	M55	33 lbs.
115	M57	35 lbs.
120	M59	38 lbs.
131	M98	47 lbs.
132*	M72	19 lbs.

*Models 104 & 132 are not IAPMO approved.