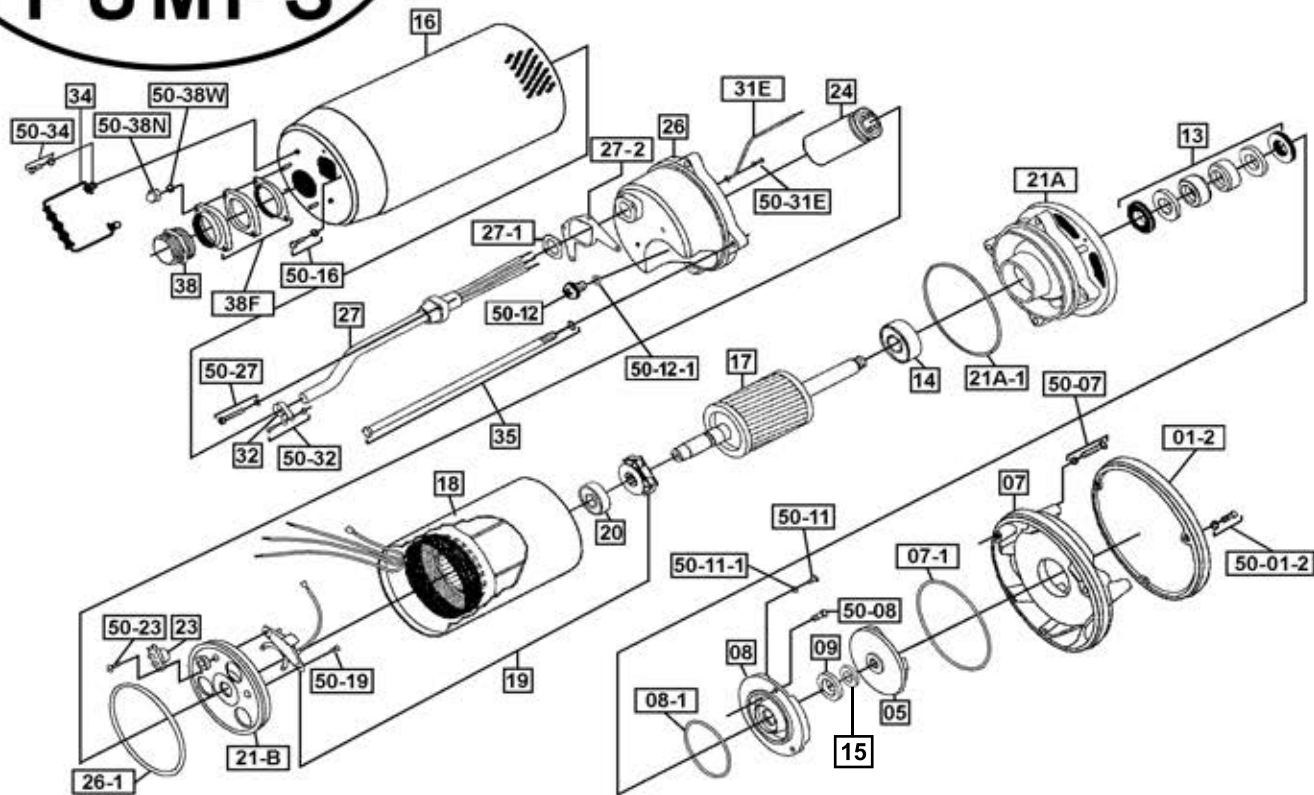
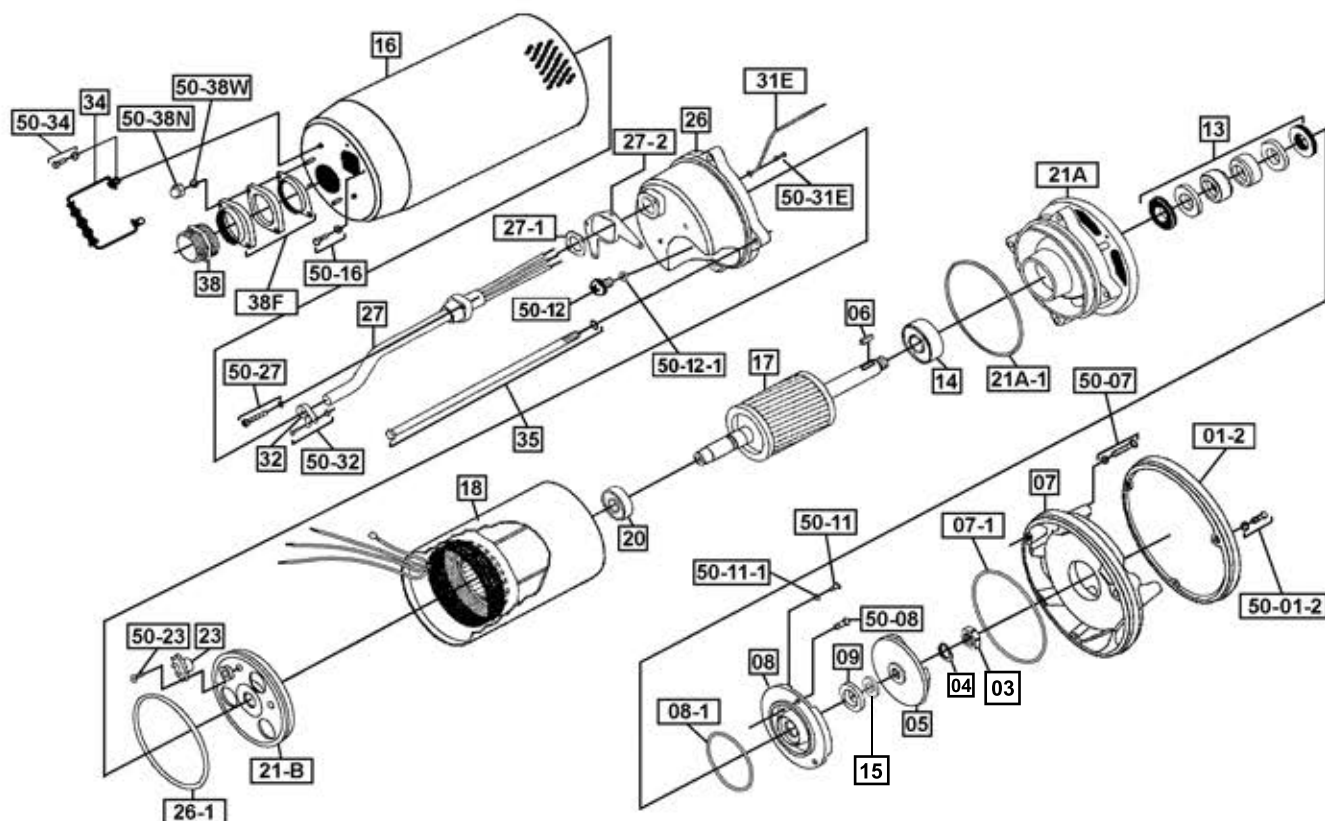




# R750, R1500, R1520 & R1530

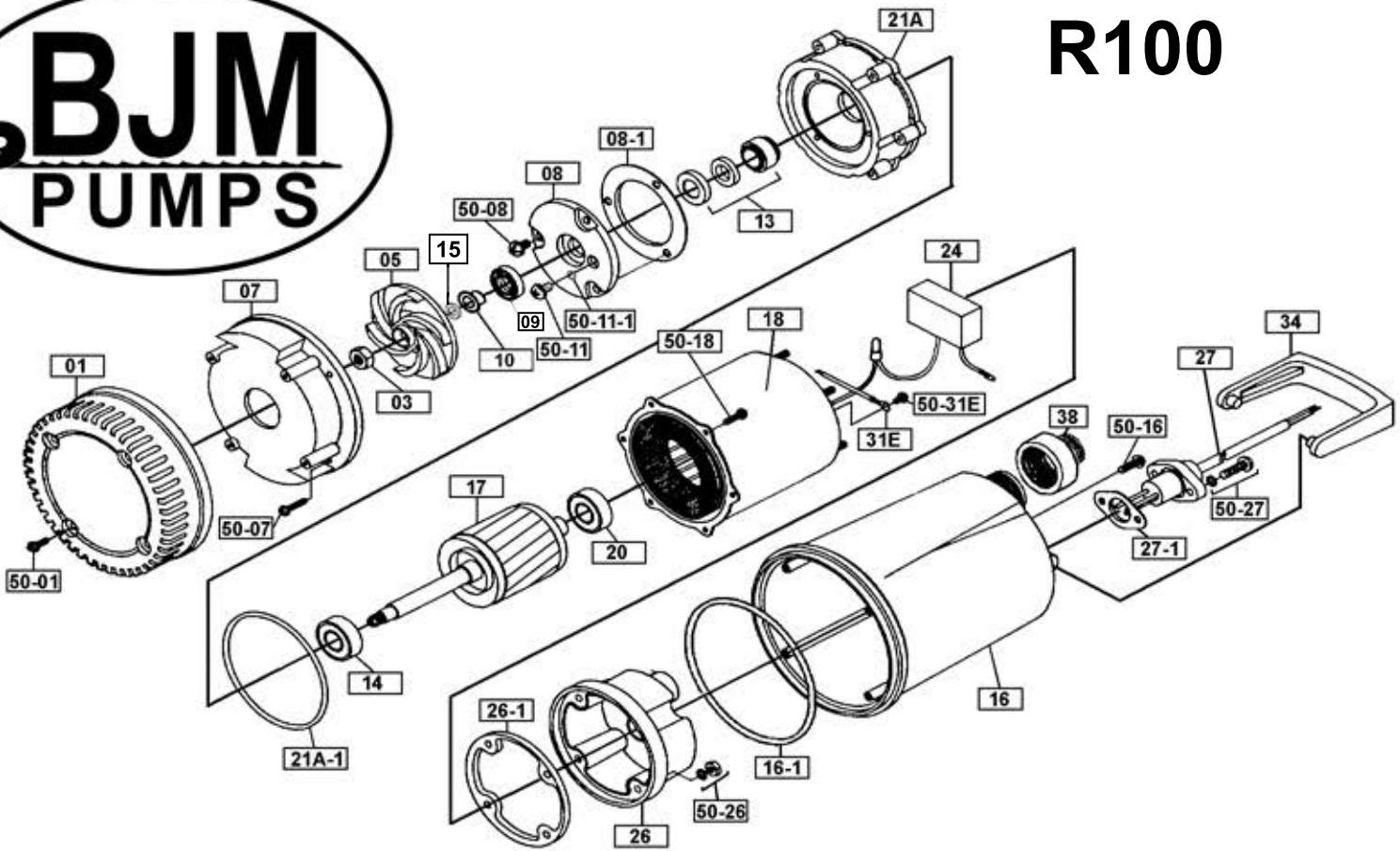


# R08, R15





# R100



# R250, R400, R400D & R400P

