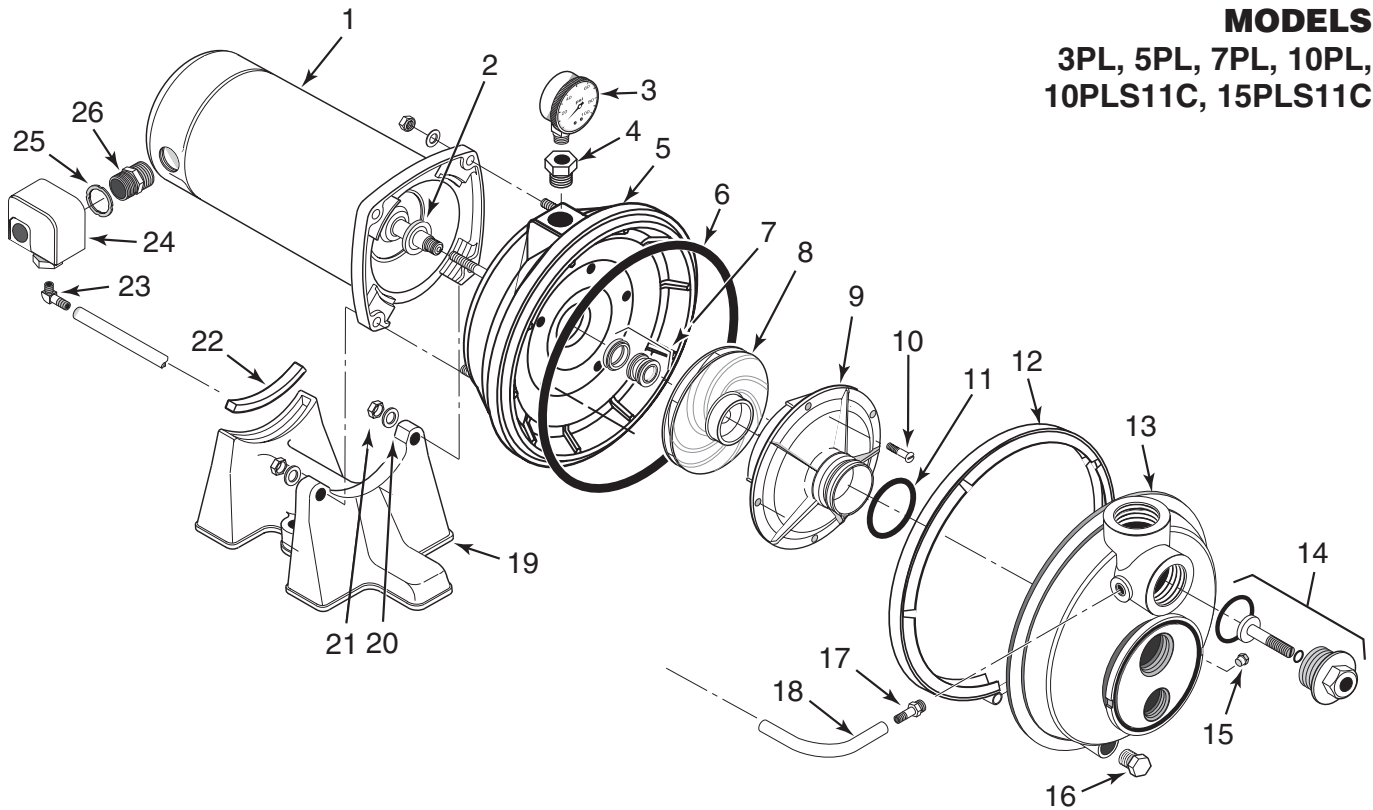


**MODELS**  
**3PL, 5PL, 7PL, 10PL,**  
**10PLS11C, 15PLS11C**



**REPLACEMENT PARTS LIST**

Key No.	Description	Qty.	3PL	5PL	7PL	10PL	10PLS11C	15PLS11C
1	Motor	1	A100BHL	A100CHL	A100DHL	A100EHL	A100ELL	A100FLL
2	Water slinger	1	17351-0009	17351-0009	17351-0009	17351-0009	17351-0009	17351-0009
3	Pressure gauge	1	U239-3	U239-3	U239-3	U239-3	U239-3	U239-3
4	1/2 x 1/8" NPT Reducer bushing	1	U78-107PT	U78-107PT	U78-107PT	U78-107PT	U78-107PT	U78-107PT
5	Pump body, back half	1	L176-47P	L176-47P	L176-47P	L176-47P	L176-47P	L176-47P
6	O-ring	1	U9-399	U9-399	U9-399	U9-399	U9-399	U9-399
7	Shaft seal	1	U109-6A	U109-6A	U109-6A	U109-6A	U109-6A	U109-6A
8	Impeller	1	J105-40PE	J105-42PT	J105-8PAN	J105-22PA	J105-8PAN	J105-22PA
9	Diffuser	1	J1-39P	J1-39P	J1-40P	J1-40PA	J1-40P	J1-40PA
**	Lockwasher	5	U43-21SS	U43-21SS	U43-21SS	U43-21SS	U43-21SS	U43-21SS
10	#8 - 32 x 7/8" lg. Screw, S.S.	5	*	*	*	*	*	*
11	Diffuser O-ring	1	U9-199	U9-199	U9-199	U9-199	U9-199	U9-199
12	Pump body clamp	1	C19-54SS	C19-54SS	C19-54SS	C19-54SS	C19-54SS	C19-54SS
13	Pump body, front half	1	L76-37P	L76-37P	L76-37P	L76-37P	L76-37P	L76-37P
14	Control valve	1	L162-10PS	L162-10PS	L162-10PS	L162-10PS	L162-10PS	L162-10PS
15	1/8" NPT Pipe plug	1	*	*	*	*	*	*
16	1/4" NPT Pipe plug	1	*	*	*	*	*	*
17	1/4" NPT straight barbed fitting	1	*	*	*	*	*	*
18	Switch tube	1	U37-671P	U37-671P	U37-671P	U37-671P	U37-671P	U37-671P
19	Base	1	C4-42P	C4-42P	C4-42P	C4-42P	C4-42P	C4-42P
20	5/16" Washer, S.S.	4	*	*	*	*	*	*
21	5/16" - 18 Hex head nut, S.S.	4	*	*	*	*	*	*
22	Motor pad	1	C35-11	C35-11	C35-11	C35-11	C35-11	C35-11
23	1/4" NPT Elbow barbed fitting	1	*	*	*	*	*	*
24	Pressure switch	1	U217-1216	U217-1216	U217-1216	U217-1217	U217-1216	U217-1217
25	1/2" Locknut	1	*	*	*	*	*	*
26	Connector	1	L43-5C	L43-5C	L43-5C	L43-5C	L43-5C	L43-5C
	• Ejector Kit – Shallow well	1	BK4875	BK4875	BK4875	BK4875	BK4875	BK4875
	• Ejector Kit – Deep well (4" dia. well)	1	BK4800	BK4800	BK4800	BK4800	BK4800	BK4800
	• Ejector Kit – Deep well (2" single pipe well)	1	BK4840	BK4840	BK4840	BK4840	BK4840	BK4840

\* Standard hardware item, purchase locally.  
 • Not shown and not included. Order separately.  
 \*\* Not illustrated.