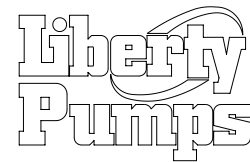
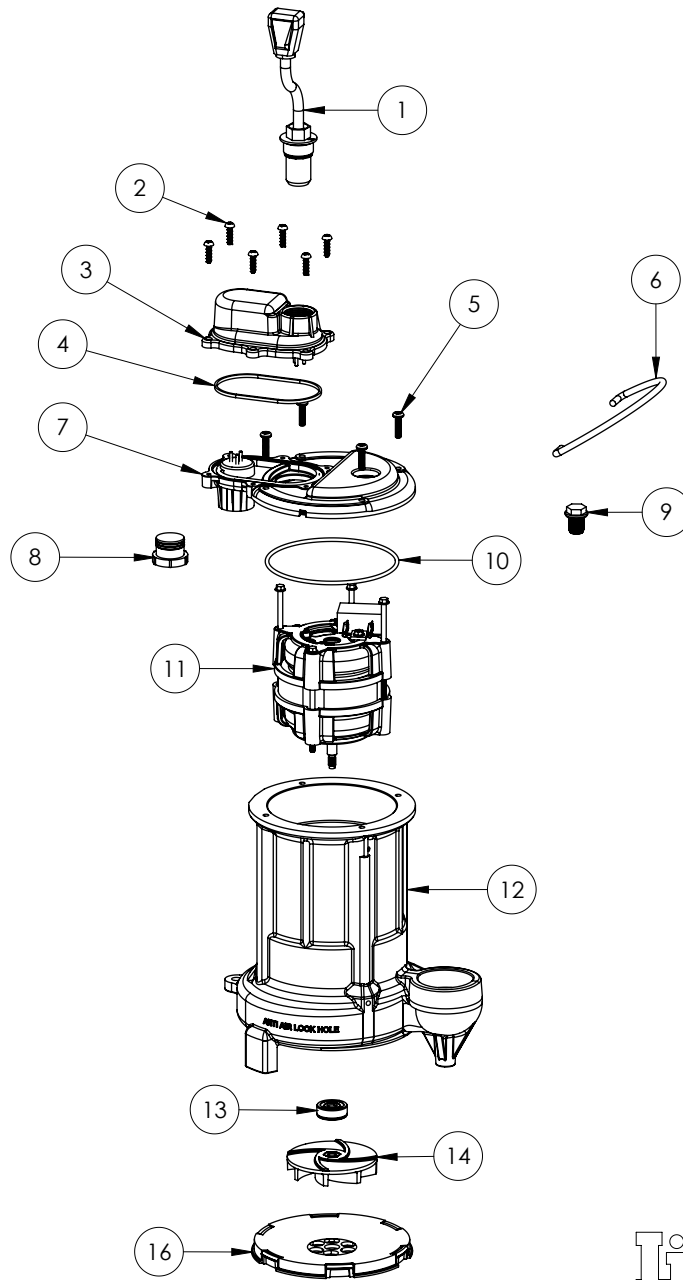


EV250 (B59)



EV250**EV250 (B59)**

#	PART #	DESCRIPTION	QTY	Note
1	K001061	POWER CORD, 115V, 25FT	1	
2	8104200	#10 HILO X 5/8" STAINLESS STEEL SCREW	6	
3	24070AB	CHAMBER COVER	1	[1]
4	2057000	CHAMBER SEALRING	1	[1]
5	8072000	#10 - 24 x 3/4" SCREW	4	
6	K001082	HANDLE	1	
7	24060AB	MOTOR COVER	1	[1]
8	8105000	PROTECTIVE CAP	1	
9	8089000	OIL PLUG, O-RING ASSEMBLY	1	
10	2357000	O-RING	4	[1]
11	2415200	PSC MOTOR	1	[1]
12	25050CJ	CAST IRON HOUSING WITH HOLE FOR SWITCH	1	[1]
13	K001254	3043000 5/16" SHAFT SEAL	1	[1]
14	K001331	IMPELLER	1	
16	2502000	PLASTIC SCREEN	1	

PART NOTES:

[1] - Part requires factory authorized service. Contact Liberty Pumps at 1-800-543-2550