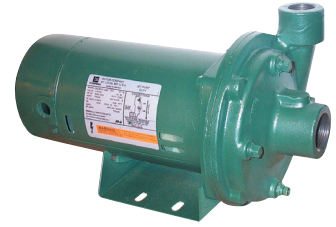


SUBMITTAL DATA SHEET

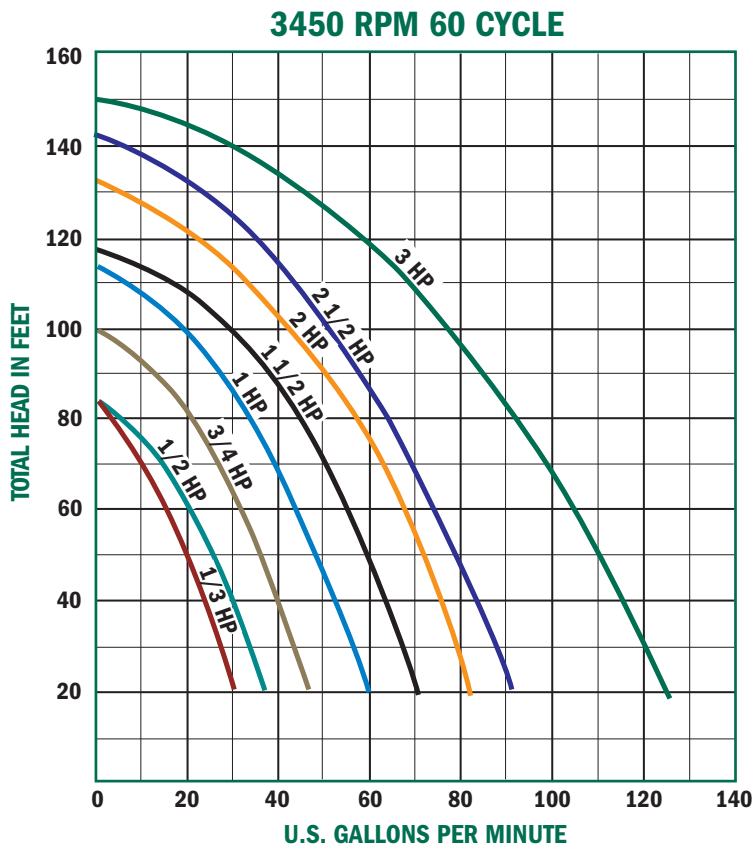
Irrigation & Booster Pumps
Superbooster | Centrifugal

92000 & 93000 Series - Workhorse | End Suction Centrifugal Pumps

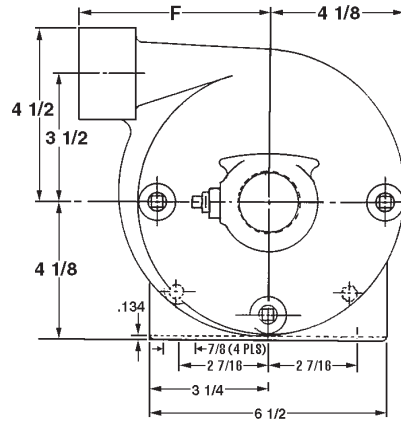
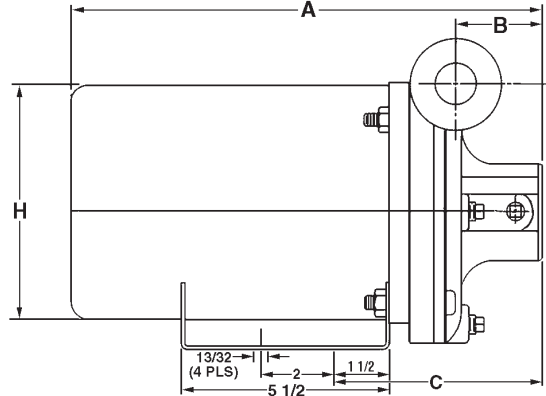


A.Y. McDonald Mfg. Co. 92000 & 93000 Series Centrifugal Pumps cover a wide range of applications. Ideal for booster systems, farms, industry, lawn sprinkling, irrigation, air conditioning tower cooling, and other water transfer applications.

Performance Curve



*Performance based on flooded suction conditions



NOTE: Four position discharge - vertical or horizontal.
Air volume control tapping - optional on suction side of pump.

SUBMITTAL INFORMATION

- Heavy duty cast iron construction
- Quality Nema standard square flange motor
- Precision molded Noryl impeller (no-lead bronze available)
- Four position discharge with three drain ports
- Easy serviceability with rear pull out design, no need to disturb plumbing

NO-LEAD: The weighted average of the wetted surface of this no-lead product contacted by consumable water contains less than one quarter of one percent (0.25%) lead.



A.Y. McDonald Mfg. Co.
P.O. Box 508
Dubuque, IA 52004-0508

Toll Free: 1-800-292-2737
Fax: 1-800-832-9296
Hours: 7:00 a.m. - 5:00 p.m., CST

sales@aymcdonald.com
www.aymcdonald.com

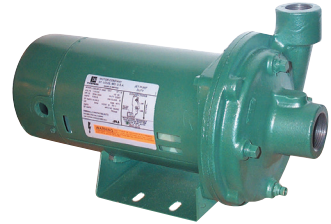
A.Y. McDonald considers the information on this assembly drawing correct when published. Item and option availability, including specifications, are subject to change without notice.

Submitted by:

SUBMITTAL DATA SHEET

Irrigation & Booster Pumps
Superbooster | Centrifugal

92000 & 93000 Series - Workhorse | End Suction Centrifugal Pumps



Performance (GPM)

Model	HP	Total Head in FT.												Max Head FT / PSIG	
		30	40	50	60	70	80	90	100	110	120	130	140		
92030 93030	1/3	28	23	20	16	10									84'/36 #
92050 93050	1/2	33	30	26	21	14									83'/36 #
92070 93070	3/4	42	40	36	31	28	21	11							100'/43 #
92100 93100	1	57	52	49	42	39	32	28	19						113'/48 #
92150 93150	1 1/2	68	62	60	55	50	43	38	30	18					118'/51 #
92200 93200	2	79	76	73	69	63	58	50	41	32	22				132'/57 #
92250	2 1/2		84	79	75	70	65	59	52	45	35	24			142'/61 #
92300 93300	3		115	110	103	98	91	85	78	69	59	46	30		150'/65 #
Model	HP	13	17	21	26	30	34	39	43	47	52	56	60		
PSIG															

Specifications

Model No.	HP	Voltage & Phase	Ports		Pump Dimensions - Inches					Packing Dimen. Inches	Weight LBS
			SUCT.	DISCH.	A	B	C	F	H		
92030	1/3	115/230/1	1 1/4"	1"	15.40	2.35	6.10	4.35	5.60	15.5 x 8.5 x 10	31
92050	1/2	115/230/1	1 1/4"	1"	15.40	2.35	6.10	4.35	5.60	15.5 x 8.5 x 10	33
92070	3/4	230/115/1	1 1/4"	1"	15.90	2.35	6.10	4.35	5.60	16.5 x 9.5 x 10	34
92100	1	230/115/1	1 1/4"	1"	16.40	2.35	6.10	4.35	5.60	16.5 x 9.5 x 10	38
92150	1 1/2	230/115/1	1 1/4"	1"	16.60	2.35	6.10	4.35	5.60	16.5 x 9.5 x 10	41
92200	2	230/1	1 1/2"	1 1/4"	18.15	2.90	6.75	4.70	6.30	18.25 x 9.5 x 10	43
92250	2 1/2	230/1	2"	1 1/2"	18.15	2.90	6.75	4.70	6.30	18.25 x 9.5 x 10	45
92300	3	230/1	2"	1 1/2"	18.15	2.90	6.75	4.70	6.30	18.25 x 9.5 x 10	55

- All models are available in three phase - specify voltage and replace first "2" in model number with "3". Example: 92050 (single phase) vs. 93050 (three phase).
- Plastic impeller is standard. For no-lead bronze impeller, substitute "1" for last "0" in model number.
(No-Lead bronze impeller available only through 1/3 and 1/2 HP), Example: 92050 (plastic) vs. 92051 (no-lead bronze).

NO-LEAD: The weighted average of the wetted surface of this no-lead product contacted by consumable water contains less than one quarter of one percent (0.25%) lead.



A.Y. McDonald Mfg. Co.
P.O. Box 508
Dubuque, IA 52004-0508

Toll Free: 1-800-292-2737
Fax: 1-800-832-9296
Hours: 7:00 a.m. - 5:00 p.m., CST

sales@aymcdonald.com
www.aymcdonald.com

A.Y. McDonald considers the information on this assembly drawing correct when published. Item and option availability, including specifications, are subject to change without notice.

Submitted by: