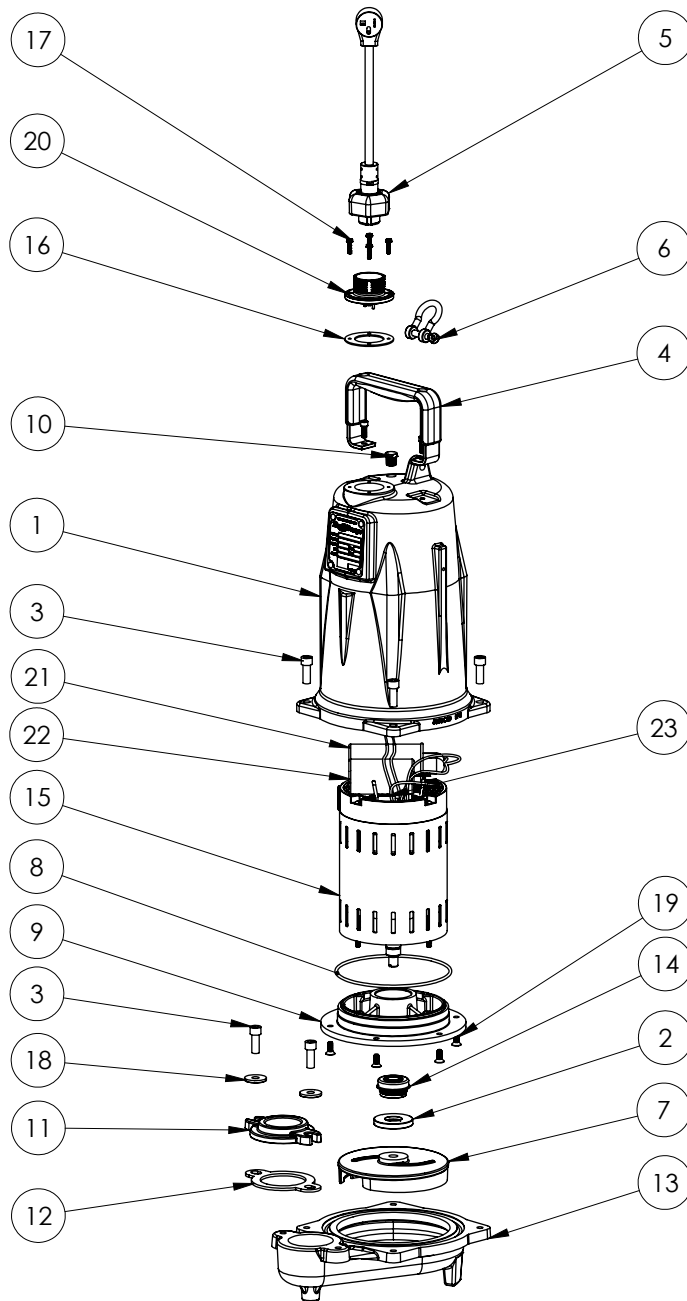


FL202M-2 (B47)



FL202M-2 (B47)

| # | PART # | DESCRIPTION | QTY | Note |
|----|---------|--|-----|------|
| 1 | 585000R | MOTOR COVER PAINTED | 1 | [1] |
| 2 | 5618000 | DOUBLE LIP SEAL | 1 | |
| 3 | 5862000 | BOLT, 3/8-16X1 SHCS SS | 6 | |
| 4 | 5613000 | HANDLE | 1 | |
| 5 | K001140 | POWER CORD | 1 | |
| 6 | 5611000 | SHACKLE | 1 | |
| 7 | 5853000 | IMPELLER | 1 | |
| 8 | 5617000 | O-RING | 1 | |
| 9 | 5851000 | MOTOR PLATE | 1 | |
| 10 | 5071000 | BRASS OIL PLUG | 1 | |
| 11 | K001421 | 1.5" DISCHARGE ADAPTER, INCLUDES HARDWARE AND GASKET | 1 | |
| 12 | 5858000 | 1.5" FLANGE GASKET | 1 | |
| 13 | 585400R | VOLUTE | 1 | |
| 14 | 5633000 | 3/4" UNITIZED SHAFT SEAL | 1 | [1] |
| 15 | 5856000 | MOTOR, 2HP | 1 | [1] |
| 16 | 5060000 | CORD PLATE GASKET | 1 | |
| 17 | 8064000 | #8-32 x 5/8 HEX WASHER HEAD SCREW | 4 | |
| 18 | 8158000 | WASHER, 3/8 x 1-1/8, SS | 2 | |
| 19 | 8018000 | 1/4-20 x 5/8 SLOTTED FLAT HEAD BOLT | 6 | |
| 20 | K001216 | 5619000, CORDPLATE | 1 | |
| 21 | K001228 | RUN CAPACITOR | 1 | |
| 22 | K001227 | START CAPACITOR | 1 | |
| 23 | K001229 | START SWITCH | 1 | |

PART NOTES:

[1] - Part requires factory authorized service. Contact Liberty Pumps at 1-800-543-2550