

Pump end with 2 HP
and smaller motor at
3500 RPM or 1 HP
and smaller motor at
1750 RPM

Item No.	Name of Part	Material of Construction
1	Casing	Cast Iron
* 2	Impeller	Bronze
11	Casing Cover	Cast Iron
* 26	Impeller Screw	Steel
40	Deflector (Liquid)	Neoprene
†* 65	Mechanical Shaft Seal (Stationary Element)	Ni-Resist
* 73	Casing Gasket	Cork-Cellulose
†* 80	Mechanical Shaft Seal (Rotating Element)	Carbon

† Furnished only in Pairs as complete units

* For domestic service we recommend these parts be carried in stock as spares
NOTE: All pumps have a maximum working pressure - 126 PSIG

* Recommended Spare Parts

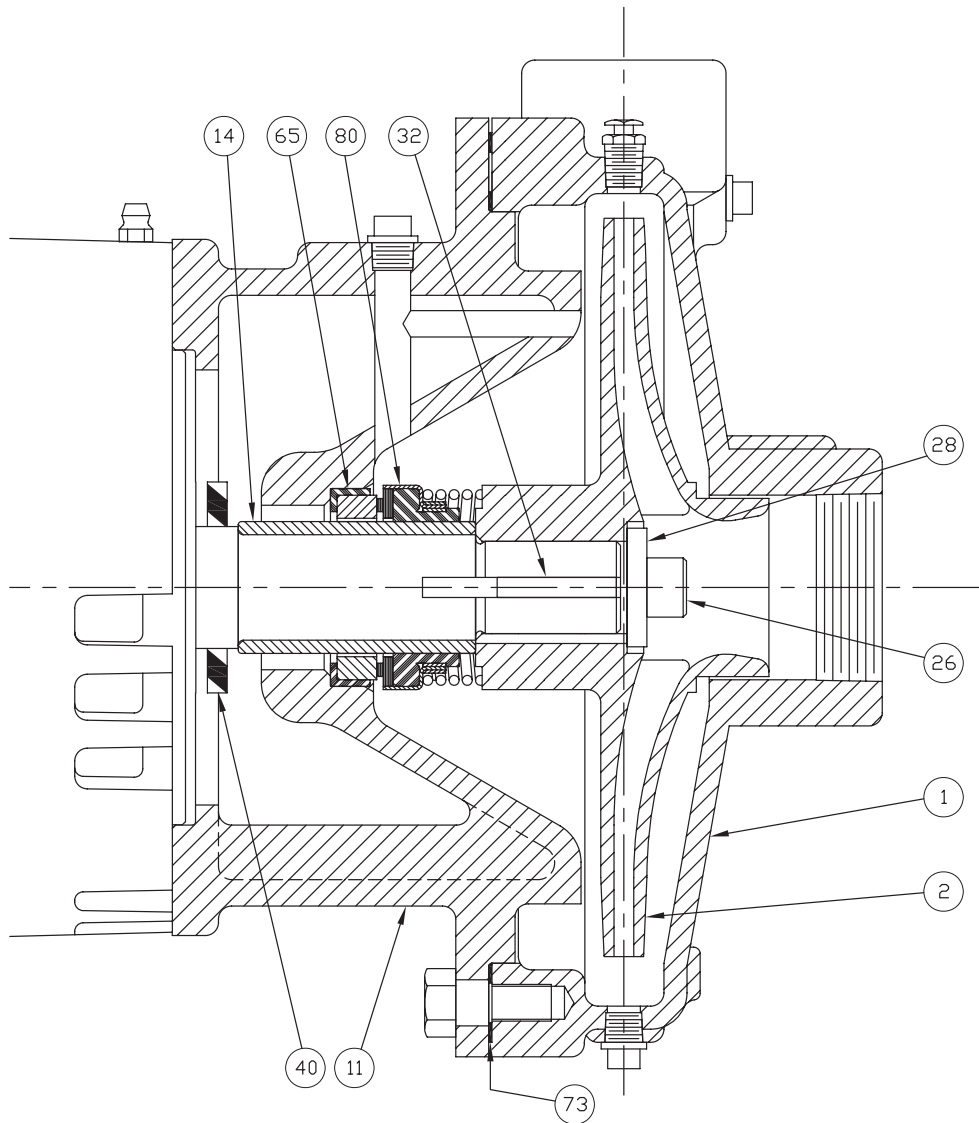
Assembly Parts

Type AC & AE Unipumps with Type 21
Mechanical Shaft Seal - Bulletin Repair Parts - 100

WEINMAN®

www.cranepumps.com

Repair Parts



Pump end with 3 HP
and larger motor at
3500 RPM

Item No.	Name of Part	Material of Construction
1	Casing	Cast Iron
* 2	Impeller	Bronze
* 14	Shaft Sleeve	Bronze
* 26	Impeller Screw	Stainless
* 28	Impeller Screw Washer	Stainless
* 32	Impeller Key	Stainless
†* 65	Mechanical Shaft Seal (Stationary Element)	Ni-Resist
* 73	Casing Gasket	Cork-Cellulose
†* 80	Mechanical Shaft Seal (Rotating Element)	Carbon

† Furnished only in Pairs as complete units

* For domestic service we recommend these parts be carried in stock as spares

NOTE: All pumps have a maximum working pressure - 126 PSIG

* Recommended Spare Parts

SECTION RP
PAGE 2
DATE 9/10

CRANE
®

A Crane Co. Company

PUMPS & SYSTEMS

USA: (937) 778-8947 • Canada: (905) 457-6223 • International: (937) 615-3598

56J Frame Motor

100 Series AC & AE Unipumps		4AC-301	4AE-301	6AC-301	6AE-301	8AC-301	Quantity
1	Casing (Iron)	4167-1-A2	C5832-A2	4356-1-A2	C5838-A2	4384-1-A2	1
2	Impeller (BRZ)	B4764-2-B12	B5833-4-B12	B4828-5-B12	B5839-6-B12	B4839-3-B12	1
11	Casing Cover / Adapter (Iron)	4056-2-A2	C5826-2-A2	C4859-1-A2	C5826-2-A2	C4859-1-A2	1
26	Impeller Screw (303 SS)	Q16-44-J8	Q16-44-J8	Q16-44-J8	Q16-44-J8	Q16-44-J8	1
40	Deflector (Liquid) (Neoprene)	H1936-7-K2	H1936-7-K2	H1936-7-K2	H1969-7-K2	H1969-7-K2	1
65 & 80	Mechanical Seal - STD	Q26-77-Y2	Q26-77-Y2	Q26-77-Y2	Q26-77-Y2	Q26-77-Y2	1
65 & 80	Mechanical Seal - Hot Water	Q26-77-Y6	Q26-77-Y6	Q26-77-Y6	Q26-77-Y6	Q26-77-Y6	1
73	Case Gasket (Cellulose)	A6551-L13	A6345-L13	A6345-L13	A6345-L13	H2267-1-L13	1
N.S.	Air Vent Valve (Brass)	Q24-3-C2	Q24-3-C2	Q24-3-C2	Q24-3-C2	Q24-3-C2	1
N.S.	Pipe Coupling (Steel)	Q29-68-E4	Q29-68-E4	Q29-68-E4	Q29-68-E4	Q29-68-E4	1
N.S.	Nipple (Steel)	Q29-69-E4	Q29-69-E4	Q29-69-E4	Q29-69-E4	Q29-103-E4	1
N.S.	Mounting Base	57028	57028	57028	57028	-	1
N.S.	Mounting Plate	-	-	-	-	57028	1
N.S.	Bushing (Steel)	-	-	-	-	Q29-52-E4	1

* = Quantity 2 Required

Repair Parts

145JM thru 184JM Frame Motor						
100 Series AC & AE Unipumps		4AE-401	6AC-401	6AE-401	8AC-401	Quantity
1	Casing (Iron)	C5832-A2	4356-1-A2	C5838-A2	4384-1-A2	1
2	Impeller (BRZ)	B5833-5-B12	B4828-4-B12	B5839-5-B12	B4839-4-B12	1
11	Casing Cover / Adapter (Iron)	C8486-A2	C8486-1-A2	C8486-A2	C8486-1-A2	1
14	Shaft Sleeve (BRZ)	A5782-C9	A5782-C9	A5782-C9	Q5782-C9	1
26	Impeller Screw (302 SS)	Q60-2-J3	Q60-2-J3	Q60-2-J3	Q60-2-J3	1
28	Impeller Screw Washer (302 SS)	A5090-J3	A5090-J3	A5090-J3	A5090-J3	1
	Impeller Key (303 SS)	Q21-4-J8	Q21-4-J8	Q21-4-J8	Q21-4-J8	1
40	Deflector (Liquid) (Neoprene)	H1936-13-K2	H1936-13-K2	H1936-13-K2	H1936-13-L13	1
65 & 80	Mechanical Seal - STD	Q26-395-Y34	Q26-395-Y34	Q26-395-Y34	Q26-395-Y34	1
65 & 80	Mechanical Seal - Hot Water	Q26-395-Y6	Q26-395-Y6	Q26-395-Y6	Q26-395-Y6	1
73	Case Gasket (Cellulose)	A6345-L13	H2267-1-L13	A6345-L13	H2267-1-L13	1
N.S.	Air Vent Valve (Brass)	Q24-3-C2	Q24-3-C2	Q24-3-C2	Q24-3-C2	1
N.S.	Bushing (Steel)	-	-	-	Q29-52-E4	1
213JM / 215JM Frame Motor						
100 Series AC & AE Unipumps		6AE-410	8AC-410			Quantity
1	Casing (Iron)	C5838-A2	4384-1-A2			1
2	Impeller (BRZ)	B5839-5-B12	B4839-4-B12			1
11	Casing Cover / Adapter (Iron)	C8486-10-A2	C8486-11-A2			1
14	Shaft Sleeve (BRZ)	A5782-C9	A5782-C9			1
26	Impeller Screw (302 SS)	Q60-2-J3	Q60-2-J3			1
28	Impeller Screw Washer (302 SS)	A5090-J3	A5090-J3			1
32	Impeller Key (303 SS)	Q21-4-J8	Q21-4-J8			1
40	Deflector (Liquid) (Neoprene)	H1936-2-K2	H1936-2-K2			1
65 & 80	Mechanical Seal - STD	Q26-395-Y34	Q26-395-Y34			1
65 & 80	Mechanical Seal - Hot Water	Q26-395-Y6	Q26-395-Y6			1
73	Case Gasket (Cellulose)	A6345-L13	H2267-1-L13			1
N.S.	Air Vent Valve (Brass)	Q24-3-C2	Q24-3-C2			1
N.S.	Bushing (Steel)	-	Q29-52-E4			1

SECTION RP
PAGE 4
DATE 5/14



A Crane Co. Company

PUMPS & SYSTEMS

USA: (937) 778-8947 • Canada: (905) 457-6223 • International: (937) 615-3598